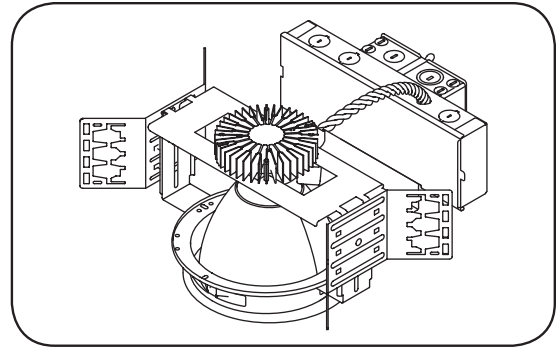


Lumination™ LED Luminaire

LDX Series



BEFORE YOU BEGIN

Read these instructions completely and carefully.

⚠ WARNING/AVERTISSEMENT

RISK OF ELECTRIC SHOCK

- Turn power off before inspection, installation or removal.
- Properly ground electrical enclosure.

RISK OF FIRE

- Follow all NEC and local codes.
- Use only UL approved wire for input/output connections.

RISQUES DE DÉCHARGES ÉLECTRIQUES

- Coupez l'alimentation avant d'inspecter, installer ou déplacer le luminaire.
- Assurez-vous de correctement mettre à la terre le boîtier d'alimentation électrique.

RISQUES D'INCENDIE

- Respectez tous les codes NEC et codes locaux.
- N'utilisez que des fils approuvés par UL pour les entrées/sorties de connexion.

Save These Instructions

Use only in the manner intended by the manufacturer. If you have any questions, contact the manufacturer.

Prepare Electrical Wiring



Electrical Requirements

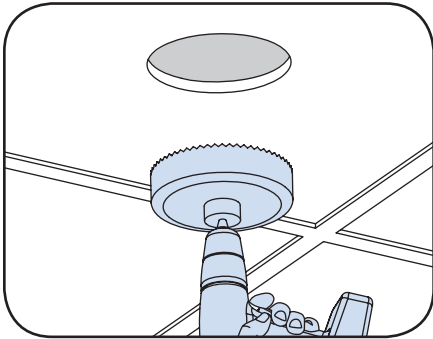
The LED driver must be supplied with 120V for LDXXXX1XXXXXXXXX fixtures, 277V for LDXXXX4XXXXXXXXX fixtures, and 347V for LDXXXXDXXXXXXXXX fixtures, 50/60 Hz and connected to an individual properly grounded branch circuit, protected by a 20 ampere circuit breaker. Use min. 90°C supply conductor.



Grounding Instructions

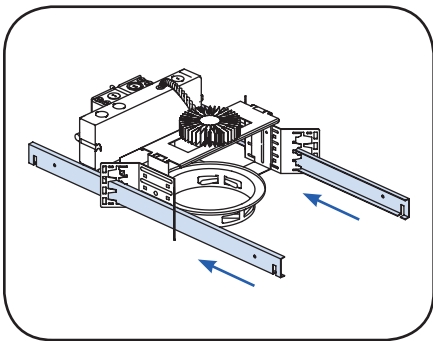
The grounding and bonding of the overall system shall be done in accordance with National Electric Code (NEC) Article 600 and local codes.

Unit Installation

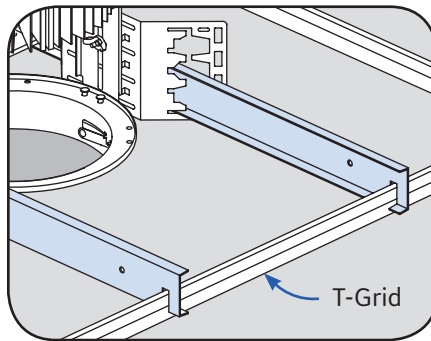


- 1** Cut the appropriate size hole into ceiling tile (see table at right).

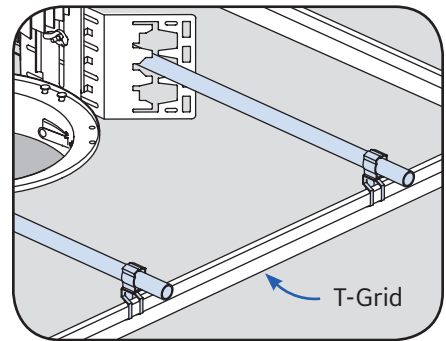
Fixture	Hole Size
4 in. round fixture	5 in. (126mm) diameter hole
6 in. round fixture	6½ in. (165mm) diameter hole
4 in. square fixture	5½ in. x 5½ in. (140mm x 140mm)
6 in. square fixture	7 in. x 7 in. (178mm x 178mm)



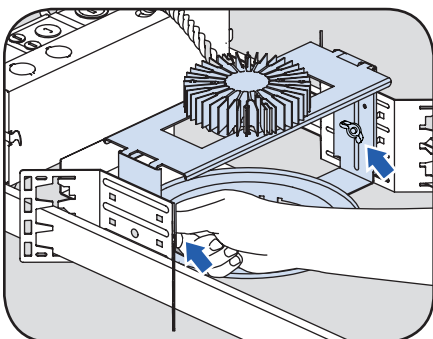
- 2** Slide hanger bars through adjustable mounting brackets. Hanger bars must be ordered separately.



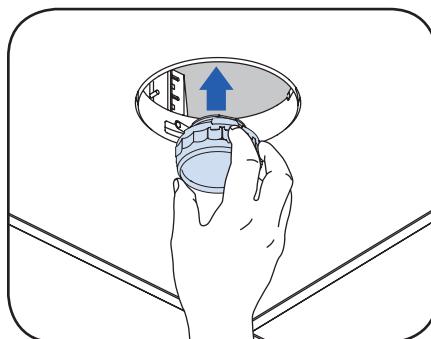
- 3 Option A:** Mount fixture by attaching hanger bars to T-Grid ceiling.



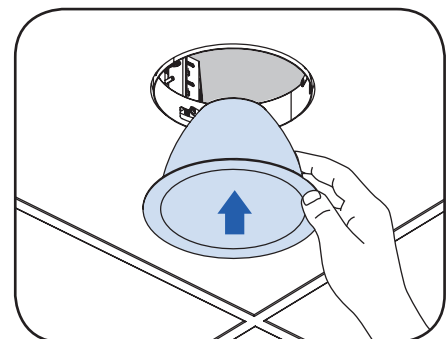
- 3 Option B:** Mount fixture with ½" EMT conduit. Supplied by 3rd party.



- 4** Adjust fixture height to be flush with ceiling and secure by tightening both adjustable mounting bracket wingnuts.
NOTE: Refer to Step 7 for trimless installation.

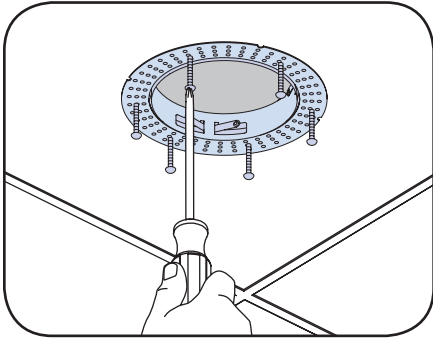


- 5** Dust off any particles that may have adhered to connection points and heat sink during installation process with a dry cloth or compressed air. Twist downlight module into holder.

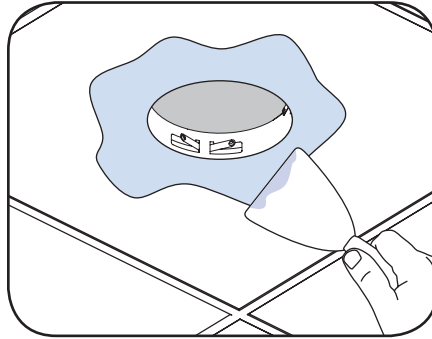


- 6** Slide reflector into the fixture. Verify reflector trim is flush with ceiling. Repeat Step 4 if trim is not flush. For wall wash reflectors, position reflector so that light is directed towards wall.

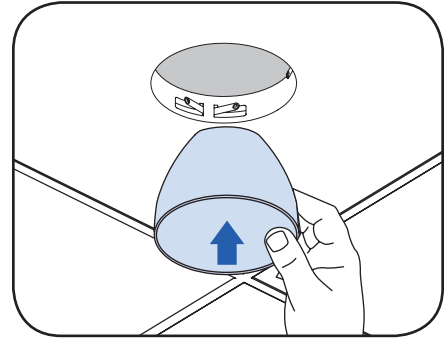
Trimless Option Appendix for Drywall Application



7 Ensure that muddy frame is lined up ring frame and secure it to the ceiling using fine thread 6 x 1¼ #2 drywall screws (not included). Prior to plastering and painting, insert the light reflector to ensure that reflector is flush with the ceiling. Repeat Step 4 for height adjustment if needed.



8 Plaster onto the muddy frame and ceiling. Repeat plastering process if needed. Sand and paint once plaster is set.



9 Dust off any particles that may have adhered to the light module. Slide the reflector into the fixture.

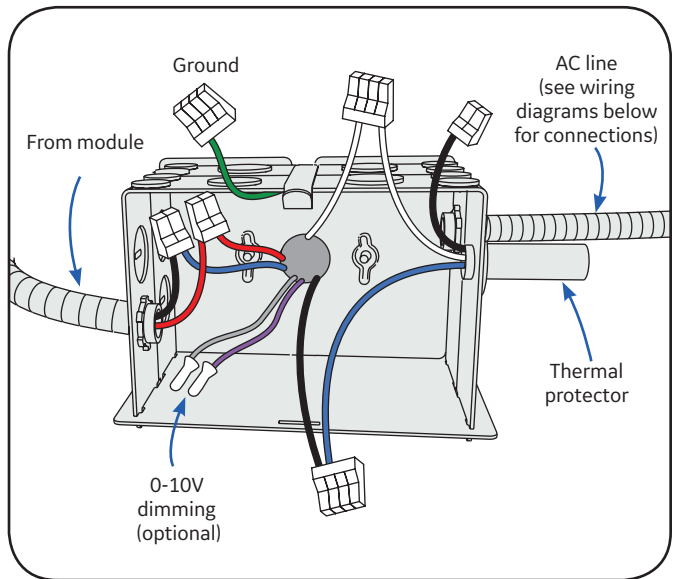
Electrical Connections

Connect the black (line) of the AC line to the black 120V, 277V, or 347V wire. Connect the white (neutral) wires of the AC line to the white wires using the provided 18-12 AWG push-in connectors. Connect the green wire to the ground screw.

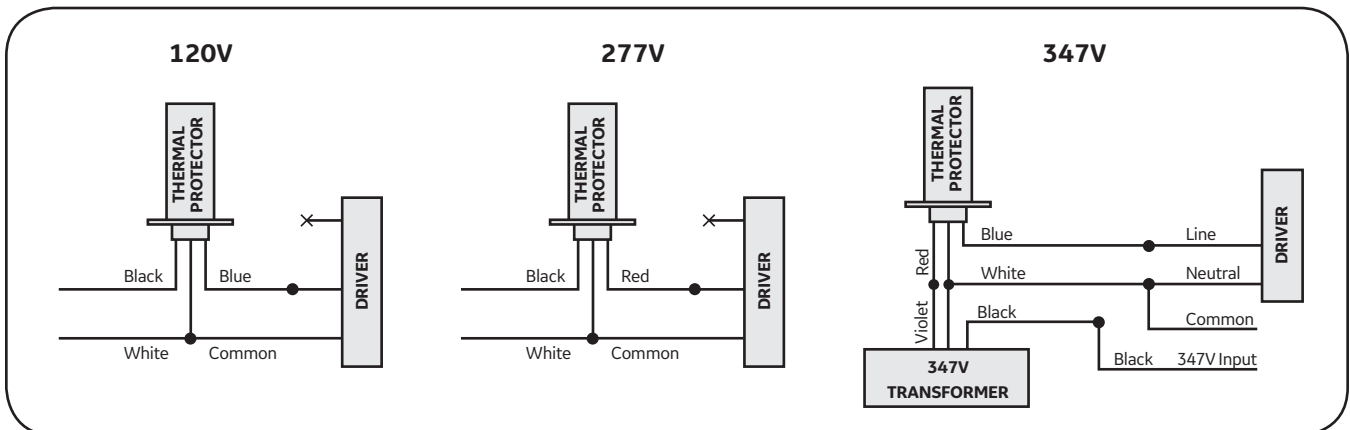
Optional: If using a 0-10V dimming controller, connect matching-colored wires together.

Risk of damage: Make sure that supply connection, light fixture wiring, and dimming cables are connected to proper driver inputs. Wrong connection may cause damage to the product.

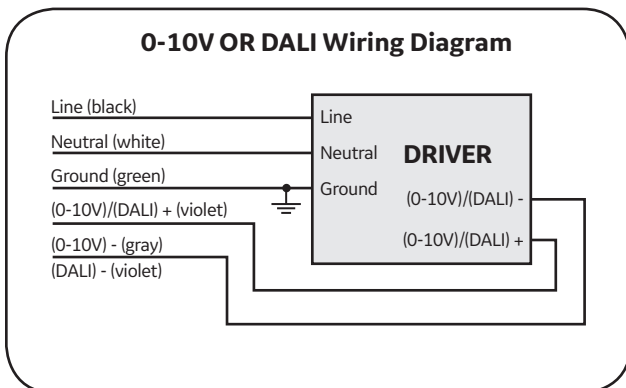
Must use UL approved conduit fittings for all enclosure box connections to prevent wire cuts by sharp edges and excessive strain on wiring.



Wiring the Thermal Protector



0-10V/DALI Dimming Lighting Controller (Optional)



Make appropriate connections to the output wires of the LED driver using twist-on wire connectors. Follow lighting controller installation instructions.

NOTE: For 0-10V and DALI dimming SKU's.

Troubleshooting

Symptom	Solution
Luminaire does not light	<ul style="list-style-type: none">• Check input voltage and check power supply input/output connections.• Check circuit breaker.• Check that the color of the supply side wires match the color of the wires they are connected to.• Check that the LED driver connector is fully engaged to the LED light engine connector.• Check that the LED light engines are connected at the junction between the two luminaires.
Luminaire is dim	<ul style="list-style-type: none">• Dimming wire connection shall be checked and if connection is not proper, reconnect it. If wire is harmed, replace it with an intact one. Also check that dimming wires are not in short circuit.• Check that LED module is firmly seated in module holder and twisted in tightly.
Luminaire does not dim	<ul style="list-style-type: none">• Check dimming wire connection.

Minimum Spacing Requirements

Center to center of adjacent luminaires	24"
Top of luminaire to overhead building member	3"
Luminaire center to side of building member	12"

This device complies with Part 15 of the FCC Rules. Operation is subject to the following two conditions: (1) This device may not cause harmful interference, and (2) this device must accept any interference received, including interference that may cause undesired operation. CAN ICES-005 (A) / NMB-005 (A).

Note: This equipment has been tested and found to comply with the limits for a Class A digital device, pursuant to part 15 of the FCC Rules. These limits are designed to provide reasonable protection against harmful interference when the equipment is operated in a commercial environment. This equipment generates, uses, and can radiate radio frequency energy and, if not installed and used in accordance with the instruction manual, may cause harmful interference to radio communications. Operation of this equipment in a residential area is likely to cause harmful interference in which case the user will be required to correct the interference at his own expense.

Fixture intended for commercial use only. Use only in non-insulated applications.



www.currentbyge.com

All trademarks are the property of their respective owners. Information provided is subject to change without notice. All values are design or typical values when measured under laboratory conditions. Current, powered by GE is a business of the General Electric Company.
© 2019



IND397 (Rev 03/19/19)