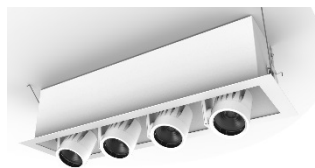


Lumination™ LED Luminaires

LED Track Light

LMM Recessed Multiples Series – 4 Head Trimless



Projectname _____

Date _____

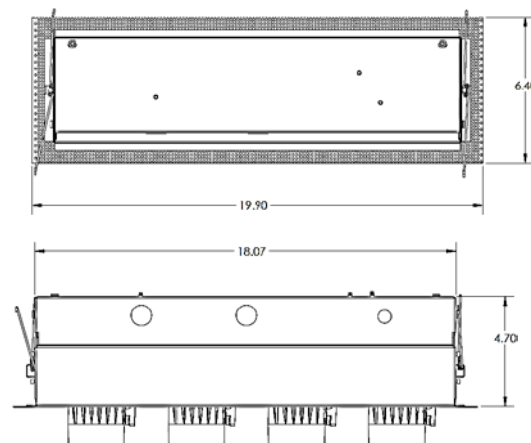
Type _____

Product Description:

Lumination LED Luminaires - LMM Series is a match in a recessed multiple format to the LTM Track Light with the same high performance and depth of product offering. The Lumination LED platform offers long life and high efficiency to minimize operating and maintenance costs.

Product Dimensions:

Semi-Recessed



Targeted Performance Summary:

Distribution Patterns: Spot ≈ 15°, Narrow Flood ≈ 18°, Flood ≈ 25°, Wide Flood ≈ 35°

Input Voltage: 120-277V

CCT: 2700K, 3000K, 3500K, 4000K, **Whiter White**

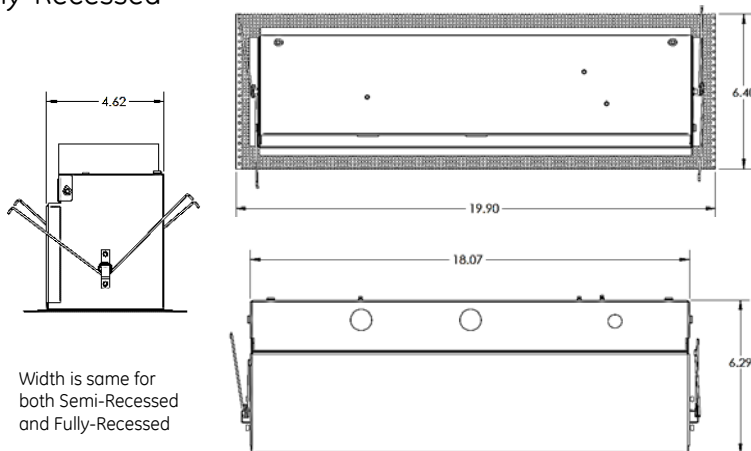
Typical CRI: 80 CRI, Whiter White @ 95+CRI

Standard Dimming Controls: 0-10V

Lifetime Rating: L85 @ 50,000 hours

Limited Warranty: 5 Years

Fully-Recessed



CONFIGURATION	FIXTURE LUMENS	FIXTURE WATTS	FIXTURE LPW	LUMENS PER HEAD
2-Head, Standard White 09	3800	43	88	950
2-Head, Standard White 11	4600	55	83	1150
2-Head, Standard White 13	5280	71	74	1320
2-Head, Whiter White 05	2240	43	52	560
2-Head, Whiter White 07	2800	55	51	700
2-Head, Whiter White 09	3440	71	48	860

Table based on 3000K, 80 CRI configuration

Certified by:



a product of
ecomagination™

Ordering Information: A complete fixture consists of LMM Fixture + LMM Rough-In Kit

1. LMM Fixture – Example LMMS4A005SP9WWVQXTWHTEDXX

L M M **4** **A** **0** **V** **Q** **X T**

FAMILY	FIXTURE TYPE	GENERATION	VOLTAGE	NOMINAL LUMENS	DISTRIBUTION	CRI	CCT	DIMMING CONTROLS	CONTROLS	MOUNTING	FINISH	DIFFUSER	OPTIONS
LMM = Lumination Recessed Mini Multiples	S4 = Semi-Recessed 4 Head R4 = Recessed 4 Head	A = 1st Generation	0 = 120-277V	05 ¹ = 560 Lumens 07 ¹ = 700 Lumens 09 = 950 Lumens 11 = 1150 Lumens 13 = 1375 Lumens	SP = Spot NF = Narrow Flood FL = Flood WF = Wide Flood	8 = 80 CRI 9 = 90+ CRI Whiter White	27 = 2700K 30 = 3000K 35 = 3500K 40 = 4000K WW ² = Whiter White	V = 0-10V Dimming	Q = None	XT = Trimless	WHT = White BLCK = Black SLVR = Silver	DX = None D03 = 3.5° Diffuser D05 = 5° Diffuser D07 = 7.5° Diffuser D10 = 10° Diffuser D20 = 20° Diffuser DL6 = 60°x10° Diffuser DL3 = 30°x3° Diffuser	(blank) = None HX = Hexcel SN = Snoot HS = Snoot + Hexcel

2. LMM Rough-In Kit

MATERIAL	MATERIAL DESCRIPTION	PRODUCT DESCRIPTION
93039499	LMMRK4A1	LMM Rough-In Kit, 4 Head, 120V
93039504	LMMRK4A4	LMM Rough-In Kit, 4 Head, 277V

Ordering Notes:

1. Only available with WW CCT option
2. WW only available with 90 CRI

current
powered by GE

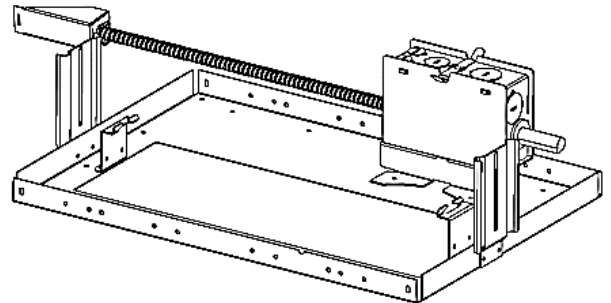
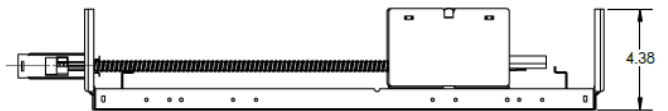
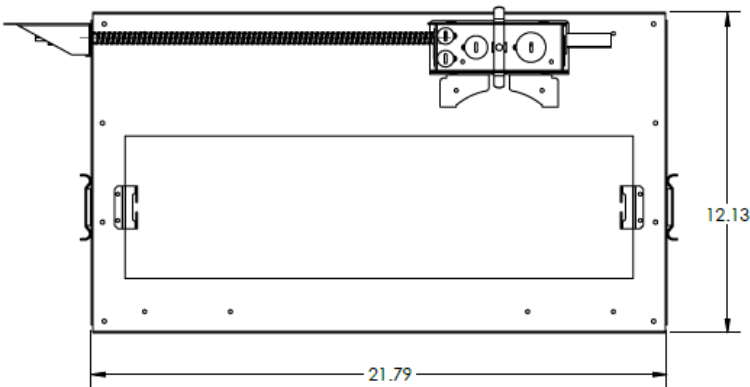


Accessories: LMM Series Recessed Multiples

MATERIAL	MATERIAL DESCRIPTION	PRODUCT DESCRIPTION
93026378	LT MDF035	LTM 3.5° Diffuser
93026529	LT MDF05	LTM 5° Diffuser
93026530	LT MDF075	LTM 7.5° Diffuser
93026901	LT MDF10	LTM 10° Diffuser
93026902	LT MDF20	LTM 20° Diffuser
93026903	LT MDF30	LTM 30° Diffuser
93026904	LT MDF6010	LTM 60°x10° Linear Spreader
93026905	LT MDF303	LTM 30°x3° Linear Spreader
93026697	LTMSNWHITE	LTM White Snoot
93026906	LTMSNBLCK	LTM Black Snoot
95019410	LTMSNSLVR	LTM Silver Snoot
93026696	LTMHX	LTM Hexcel Louver

Rough in Kit Information: LMM Series Recessed Multiples

MATERIAL	MATERIAL DESCRIPTION	PRODUCT DESCRIPTION
93039499	LM MRK4A1	LMM Rough-In Kit, 4 Head, 120V
93039504	LM MRK4A4	LMM Rough-In Kit, 4 Head, 277V



Product Specifications:

Construction:

- Die-cast and precision machined head
- 2-piece precision, rigid plastic driver compartment
- Textured powder coat finish
- Nylon lock washer firmly sets aiming angle

Installation:

- Standalone rough-in kit for installation in finished and t-grid ceilings

Weight:

- 13 lbs. (5.9kg.)

Optical System:

- Visual Comfort lens reduces glare and eliminates pixilation
- Precision designed reflectors and diffusers for optimal efficiency
- Custom designed spot optical system optimizes CBCP

Electrical System:

- Integrated, high-efficiency LED driver
- Power factor > 0.9

For more information and access to all of our resources, including our design tool visit: www.gelighting.com

Lumination™ LED Luminaires

Standard LED Conversion Table

Lumen and CBCP output varies based on Wattage, CCT and CRI. Table below is based on 3000K, 80 CRI fixture. To estimate lumen and CBCP output of other combinations, multiply photometric data by factors below.

827	830	835	840	927	930	935	940
0.95	1	1.03	1.05	0.8	0.83	0.85	0.87

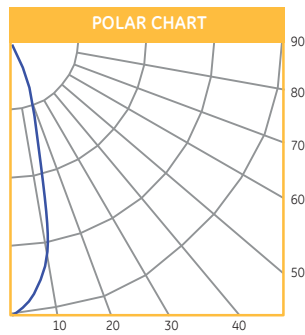
Photometric Data: LMM Series Recessed Multiples

Standard White

20 Watt - 1320 Lumens per head Spot Flood Distribution - 15° Beam

CANDLEPOWER SUMMARY	
Angle	Candela
0	12243
5	9730
15	1059
25	102
35	62
45	26
55	15

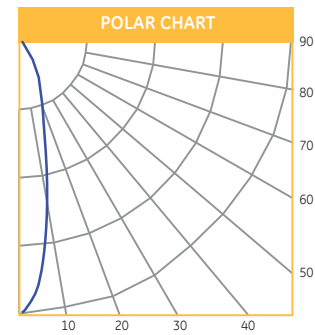
CONE OF LIGHT		
Height	fc	Dia. (ft.)
6	340	1.7
8	191	2.3
10	123	2.9
12	85	3.5
14	62	4.1
16	48	4.6



20 Watt - 1320 Lumens per head Narrow Flood Distribution - 18° Beam

CANDLEPOWER SUMMARY	
Angle	Candela
0	8918
5	7045
15	1478
25	188
35	77
45	39
55	21

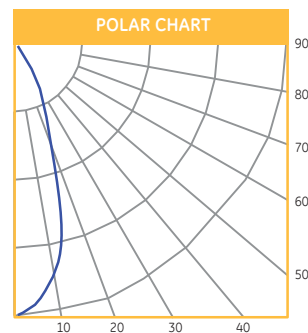
CONE OF LIGHT		
Height	fc	Dia. (ft.)
6	248	2.0
8	139	2.7
10	89	3.4
12	62	4.0
14	45	4.7
16	35	5.4



20 Watt - 1320 Lumens per head Flood Distribution - 25° Beam

CANDLEPOWER SUMMARY	
Angle	Candela
0	4893
5	4638
15	2291
25	439
35	135
45	60
55	30

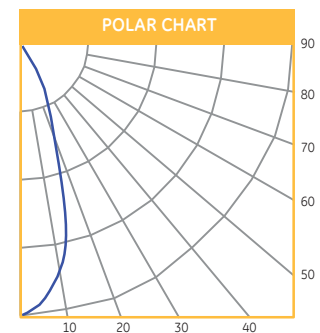
CONE OF LIGHT		
Height	fc	Dia. (ft.)
6	136	2.8
8	77	3.8
10	49	4.7
12	34	5.7
14	25	6.6
16	19	7.6



20 Watt - 1320 Lumens per head Wide Flood Distribution - 35° Beam

CANDLEPOWER SUMMARY	
Angle	Candela
0	2358
5	2301
15	1650
25	593
35	136
45	56
55	27

CONE OF LIGHT		
Height	fc	Dia. (ft.)
6	65	3.9
8	36	5.3
10	24	6.6
12	16	7.9
14	12	9.2
16	10	10.5



Lumination™ LED Luminaires

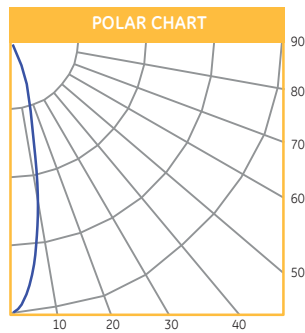
Photometric Data: LMM Series Recessed Multiples

Whiter White

20 Watt – 860 Lumens per head Spot Distribution - 15° Beam

CANDLEPOWER SUMMARY	
Angle	Candela
0	8717
5	7091
15	905
25	88
35	53
45	25
55	14

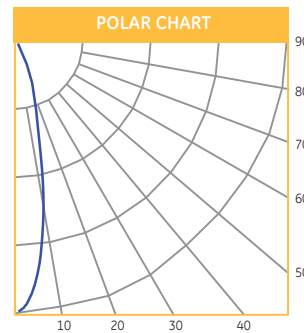
CONE OF LIGHT		
Height	fc	Dia. (ft.)
6	242	1.7
8	137	2.2
10	87	2.8
12	60	3.3
14	45	3.9
16	34	4.4



20 Watt – 860 Lumens per head Narrow Flood Distribution - 18° Beam

CANDLEPOWER SUMMARY	
Angle	Candela
0	6556
5	5454
15	1117
25	130
35	55
45	29
55	16

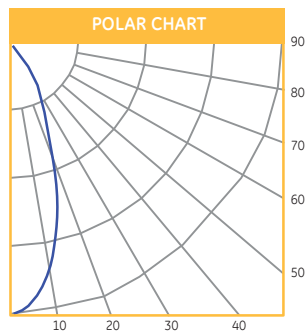
CONE OF LIGHT		
Height	fc	Dia. (ft.)
6	183	1.9
8	102	2.5
10	66	3.1
12	46	3.8
14	33	4.4
16	26	5.0



20 Watt – 860 Lumens per head Flood Distribution - 25° Beam

CANDLEPOWER SUMMARY	
Angle	Candela
0	2922
5	3028
15	1264
25	238
35	88
45	44
55	23

CONE OF LIGHT		
Height	fc	Dia. (ft.)
6	81	2.8
8	46	3.7
10	30	4.6
12	20	5.5
14	15	6.5
16	11	7.4



20 Watt – 860 Lumens per head Wide Flood Distribution - 35° Beam

CANDLEPOWER SUMMARY	
Angle	Candela
0	1997
5	1936
15	1173
25	419
35	118
45	47
55	24

CONE OF LIGHT		
Height	fc	Dia. (ft.)
6	55	3.7
8	32	5.0
10	20	6.2
12	14	7.5
14	11	8.7
16	8	9.9

