

Lumination™ LED Luminaires

LOP Series | Office Professional



Project name _____

Date _____

Type _____

Product Description:

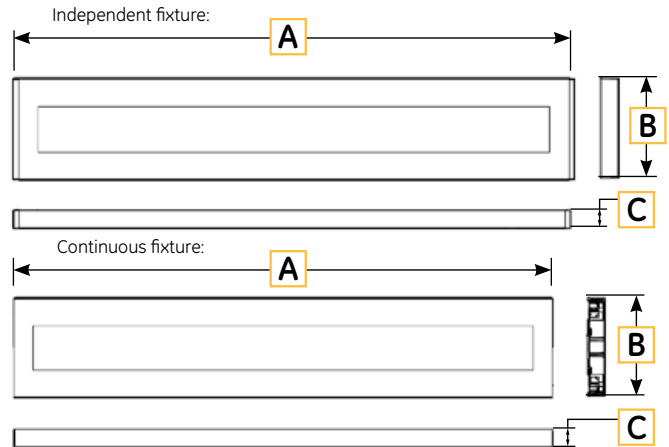
The LOP series is designed with a unique balance between technology and performance. This fixture comes with a unique on-the-spot customization of the uplight and downlight distributions. It also features a light uniformity output that is easy on the eyes while achieving a CRI and R9 of 90 with TriGain® technology and market leading efficacy of 110 LPW. The LOP is a combination of design finesse, technology and performance.

Performance Summary:

Lumen Output: 3,000-9,600 lm
System Input Power: 24W-95W
Efficacy: Up to 110+ LPW
Input Voltage: 120-277V, 347V
Standard Dimming Control: 0-10V
CCT: 3000K, 3500K, 4000K, 5000K
Typical CRI: 83, 90+ (TriGain)
Color Consistency: 4 Step MacAdam Ellipse
Input Frequency (Hz): 50-60Hz
Power Factor: 0.9+
Dimensions: 49in x 8.8in (4'ft) or 97in x 8.8in (8'ft)
Mounting: Aircraft Cable Kit
Weight: 18lbs (4'ft) or 33lbs (8'ft)
Warranty: 5 Years standard
Rated Life: >L85 @ 50,000hrs.
Storage temperature: -40°C to 60°C
Operating temperature: 0°C to 35°C



Product Dimensions mm (inches):



4 ft.
 4' ft Independent fixture: A =49.0 in (1244.6mm) B =8.8in (218.4mm) C =1.6 in (40.6mm)
 4' ft Continuous fixture: A =48.0 in (1219.2mm) B =8.8in (218.4mm) C =1.6 in (40.6mm)

8 ft.
 8' ft Independent fixture: A =97.0 in (2463.8mm) B =8.8in (218.4mm) C =1.6 in (40.6mm)
 8' ft Continuous fixture: A =96.0 in (2438.4mm) B =8.8in (218.4mm) C =1.6 in (40.6mm)

Mounting Point Dimensions

4ft fixture: 43.04 in (1093.20mm) • 8ft fixture: 91.04 in (2312.40mm)



Please refer to the DLC QPL website for the latest and most complete information.
www.designlights.org/QPL



a product of **ecomagination™**

Ordering Information:

LOP **A** **0** **CS**

FAMILY	FIXTURE TYPE	GENERATION	VOLTAGE	LUMEN	CRI	CCT	CONTROLS	DISTRIBUTION	MOUNTING	FINISH	OPTIONS
LOP = Office Professional	I4 = 4ft Inde. I8 = 8ft Inde. C4 = 4ft Cont. C8 = 8ft Cont.	A = 1 st Generation	O = 120-277 VAC D = 347VAC* *Only available with VQ option	30 = 3000lm 48 = 4800lm 60 = 6000lm 96 = 9600lm	8 = 83 CRI T = 90 CRI* *Note: Only compatible with 3500CCT & 4000CCT	30 = 3000CCT 35 = 3500CCT 40 = 4000CCT 50 = 5000CCT	VQ = 0-10V Dimming LQ = Lutron LDE5 TQ = Wireless Enabled, Daintree Compatible TS = Wireless Enabled, Daintree Compatible w/ Daintree WFA100	D3 = 70%Up/30%Down D5 = 50%Up/50%Down D7 = 30%Up/70%Down D8 = 20%Up/80%Down	CS = Cable Suspended	WHITE = White	[] = No Option EL = Emergency Lighting* *Not available for Sale in California *EL is only available with VQ Control option and 120V/277V input voltage

CRI	Length	Lumen	Power (VQ 0-10 Dimming)	Power (LQ Lutron IDE)
83	4 ft.	3000	24W	25W
		4800	39W	40W
	8 ft.	6000	46W	50W
		9600	75W	81W
90	4 ft.	3000	26W	27W
		4800	43W	44W
	8 ft.	6000	51W	53W
		9600	86W	90W

Note: EL Option adds +5W
 TQ & TS options add +2W

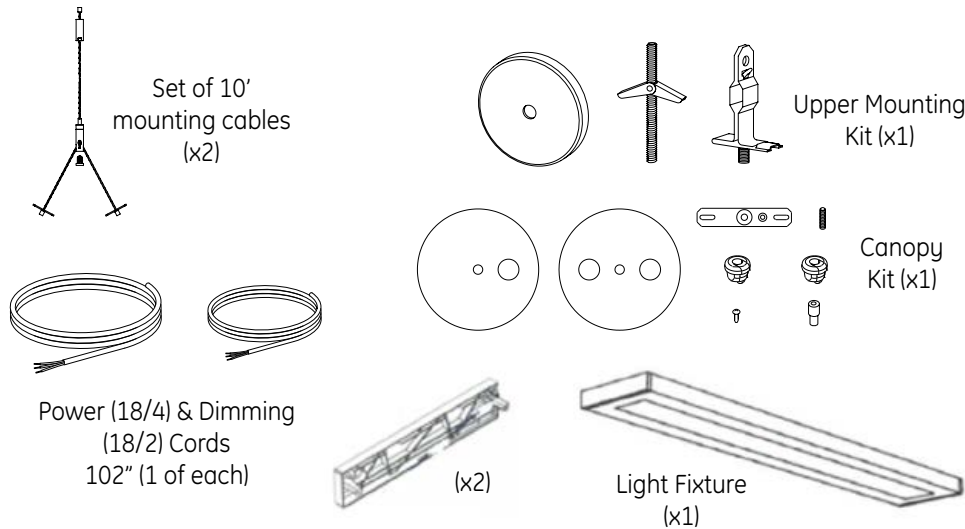
current
 powered by GE



Accessories **Product code**

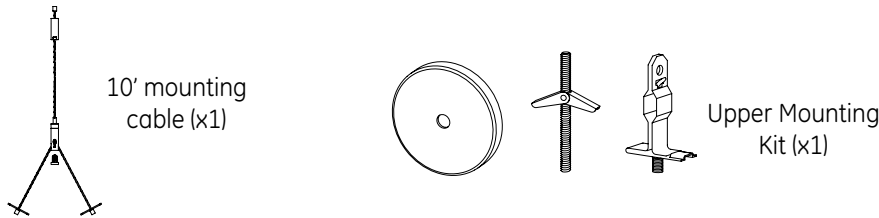
Suspended Kit - Independent Fixture

Included with All Independent Fixtures (I4 & I8)



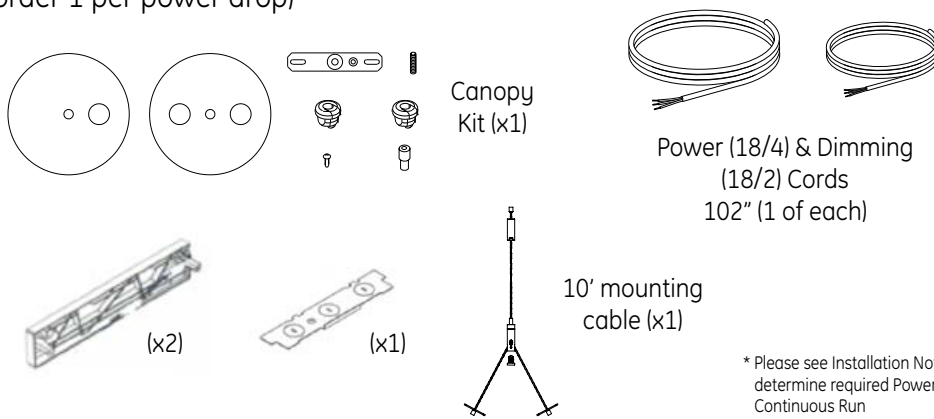
Suspended Kit - Continuous Fixture

Included with All Continuous Fixtures (C4 & C8)



Power feed kits ordered separately for Continuous Runs
(order 1 per power drop)

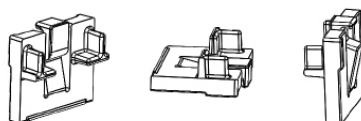
Voltage	End Cap Color	Kit # to Order
120-277V	White	93053095
347V	White	93092891



* Please see Installation Notes below to determine required Power drops per Continuous Run

Changeable Spacer Kits -optional

(Qty 8 necessary per 4ft section. Each kit contains Qty 100 pcs)



93068429	LOP Spacers 30 up / 70 down
93068430	LOP Spacers 50 up / 50 down
93068431	LOP Spacers 70 up / 30 down
93054946	LOP Spacers Mixed Sample Pack

Photometric Data: LOP 30%Up/70%Down

CANDLEPOWER SUMMARY			
Angle	0°	45°	90°
45°	3607	3619	3575
55°	3397	3397	3364
65°	3131	3128	3089
75°	2762	2771	2635
85°	2207	2061	1770

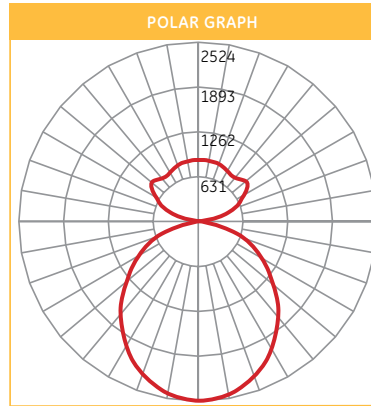
ZONAL LUMEN SUMMARY	
Zone	Lumens
0-10	236.87
10-20	673.17
20-30	1003.47
30-40	1184.1
40-50	1200.37
50-60	1060.79
60-70	793.74
70-80	449.13
80-90	118.37
90-100	83.25
100-110	272.51
110-120	422.47
120-130	502.76
130-140	492.84
140-150	440.01
150-160	354.57
160-170	230.71
170-180	80.87

COEFFICIENTS OF UTILIZATION-ZONAL CAVITY METHOD																			
RC	80%				70%				50%			30%			10%			0%	
	RW	70%	50%	30%	10%	70%	50%	30%	10%	50%	30%	10%	50%	30%	10%	50%	30%	10%	0%
0	112	112	112	112	106	106	106	106	94	94	94	84	84	84	74	74	74	70	
1	102	98	94	90	96	93	89	86	83	80	78	74	72	70	66	64	63	59	
2	93	85	79	73	88	81	75	70	73	68	64	65	61	58	58	55	53	49	
3	85	75	67	61	80	71	64	59	64	58	54	57	53	49	51	48	45	41	
4	78	66	58	52	73	63	56	50	57	51	46	51	46	42	46	42	39	36	
5	71	59	51	44	67	56	49	43	51	45	40	46	41	37	41	37	34	31	
6	66	53	45	39	62	51	43	37	46	39	35	41	36	32	37	33	30	27	
7	61	48	40	34	57	46	38	33	42	35	31	38	32	28	34	30	26	24	
8	57	44	36	30	53	42	34	29	38	32	27	35	29	25	31	27	24	21	
9	53	40	32	27	50	38	31	26	35	29	25	32	27	23	29	24	21	19	
10	49	37	29	24	47	35	28	24	32	26	22	29	24	21	27	22	19	17	

NOTE: Floor Cavity Reflectance: 20%

ZONAL LUMEN SUMMARY			
Zone	Lumens	% of Lamp	% of Fixture
0-20	910.04	N.A.	9.5
0-30	1913.51	N.A.	19.9
0-40	3097.61	N.A.	32.3
0-60	5358.77	N.A.	55.8
0-80	6601.64	N.A.	68.8
0-90	6720.01	N.A.	70

Total Luminaire Efficiency = N.A. %



Product Specifications:

Construction:

- High quality metal construction coated with Electrostatic Powder Coating Paint
- IP Rating: IP20

Electrical System:

- Highly efficient Class 2 LED Driver with standard 0-10V dimming rated for 50,000 hours in operating conditions
- THD: <20%
- NEMA 410 compliant

Optical System:

- Perfect uniformity over lit area
- Convertible light distribution

Installation Notes:

- Suitable for both dry and damp locations
- Suspended by adjustable 120" aircraft cable
- 102" 18/4 power cord and 18/2 dimming cord mounted to a standard ceiling junction box
- Maximum Continuous Run Length per Power Drop depends on Lumen Package and Voltage.
 - 120V-80ft (low lumen)
 - 120V-48ft (high lumen)
 - 277V-180ft (low lumen)
 - 277V-104ft (high lumen)
 - 340V-230ft (low lumen)
 - 340V-132ft (high lumen)



All trademarks are the property of their respective owners. Information provided is subject to change without notice. All values are design or typical values when measured under laboratory conditions. Current, powered by GE is a business of the General Electric Company. © 2018 GE.

