

# Lumination™ LED Luminaire

LMM Series



## BEFORE YOU BEGIN

Read these instructions completely and carefully.

### ⚠ WARNING/AVERTISSEMENT

#### RISK OF ELECTRIC SHOCK

- Turn power off before inspection, installation or removal.
- Properly ground electrical enclosure.

#### RISK OF ELECTRIC SHOCK

- Follow all NEC and local codes.
- Use only UL approved wire for input/output connections. Minimum size 18 AWG or 14 AWG for continuous runs.

#### RISQUES DE DÉCHARGES ÉLECTRIQUES

- Coupez l'alimentation avant d'inspecter, installer ou déplacer le luminaire.
- Assurez-vous de correctement mettre à la terre le boîtier d'alimentation électrique.

#### RISQUES D'INCENDIE

- Respectez tous les codes NEC et codes locaux.
- N'utilisez que des fils approuvés par UL pour les entrées/sorties de connexion. Taille minimum 18 AWG ou 14 AWG pour les rangées continues.

## Save These Instructions

Use only in the manner intended by the manufacturer. If you have any questions, contact the manufacturer.

## Prepare Electrical Wiring



### Electrical Requirements

- The LED driver must be supplied with 120 or 277V, 50/60 Hz and connected to an individual properly grounded branch circuit, protected by a 20 ampere circuit breaker. Use min. 75°C supply conductor.



### Grounding Instructions

- The grounding and bonding of the overall system shall be done in accordance with National Electric Code (NEC) Article 600 and local codes.

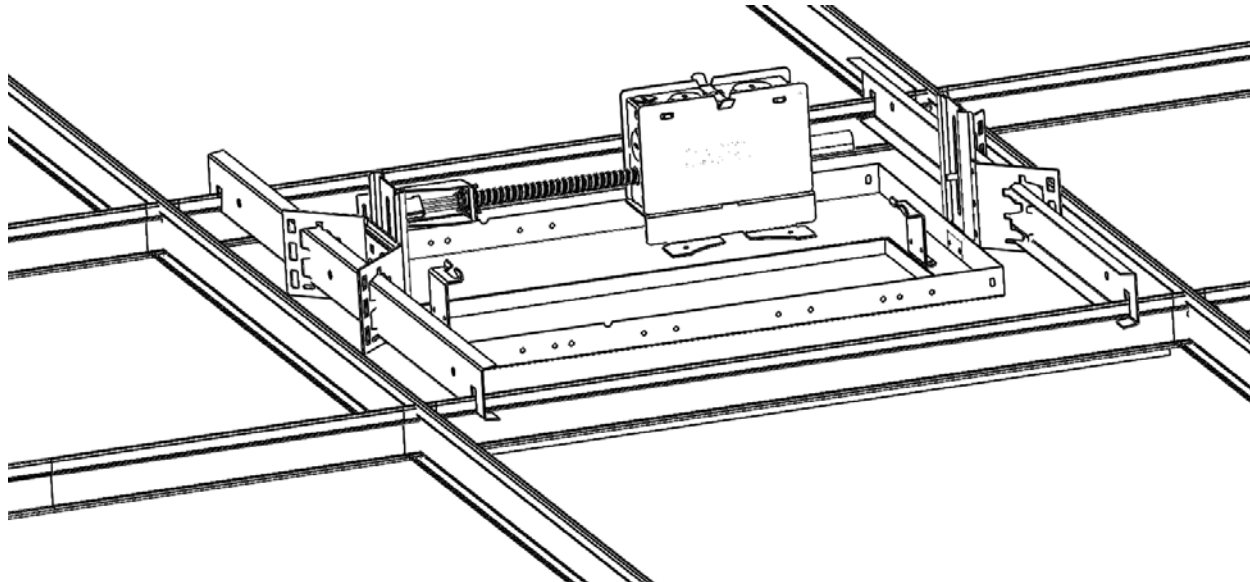


imagination at work

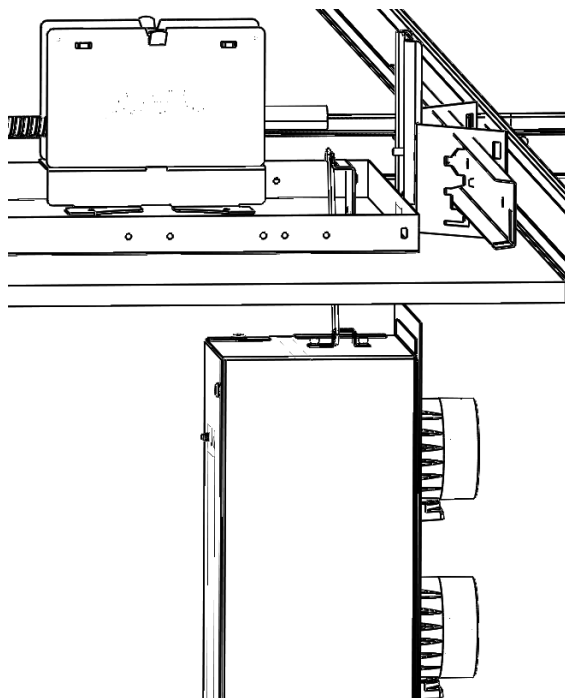
## Unit Installation

### Tile Ceiling (above ceiling access after installation)

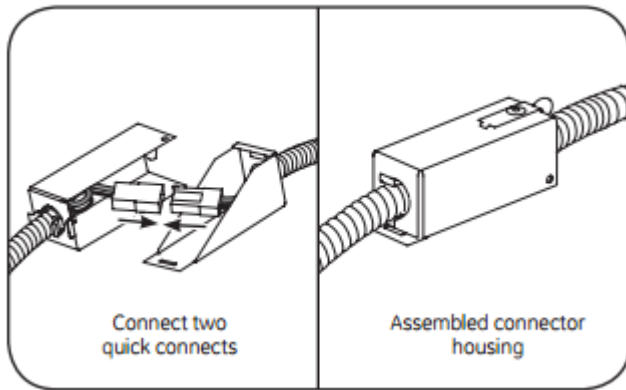
Be sure that the appropriate Rough in Kit is installed into the ceiling before starting these instructions.



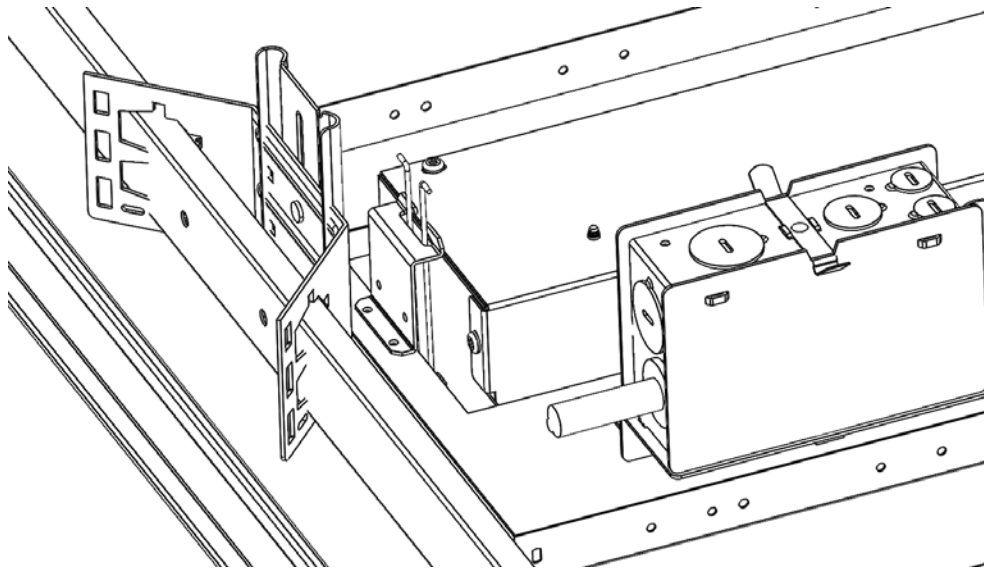
1. Carefully remove the LMM fixture out of the packaging. The fixture can be attached to the rough in kit by attaching one spring to the rough in kit and letting the fixture hang to make electrical connections.



2. Connect the quick connect from the Rough in Kit to the quick connect on the luminaire. Assemble connector housing.

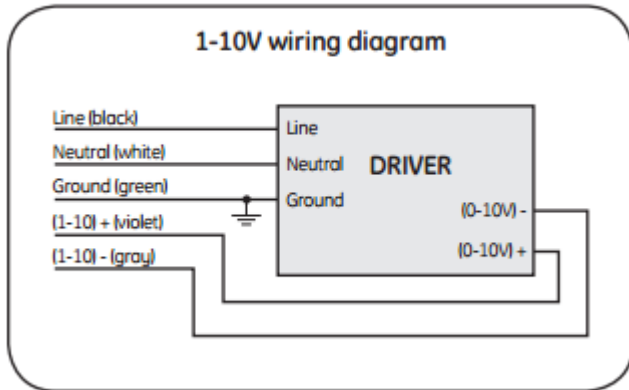


3. Carefully tuck the electrical conduit into the ceiling. Compress the torsion springs on the side of the fixture and insert them into the brackets on the rough in kit. Ensure that springs are properly inserted into the mounting brackets. Push the fixture up until it is flush with the ceiling.



## Wiring Instructions

If using a dimming controller, connect matching-colored wires together (violet and gray leads). Fixture cover must be removed to access the dimming leads.



**Risk of damage:** Make sure that dimming cables are connected to proper driver inputs. Wrong connection may cause damage to the product.

Must use UL approved conduit fittings for all enclosure box connections to prevent wire cuts by sharp edges and excessive strain on wiring

This device complies with Part 15 of the FCC Rules. Operation is subject to the following two conditions: (1) This device may not cause harmful interference, and (2) this device must accept any interference received, including interference that may cause undesired operation. This Class [A] RFLD complies with the Canadian standard ICES-003. Ce DEFR de la classe [A] est conforme á laNMB-003 du Canada.

**Note:** This equipment has been tested and found to comply with the limits for a Class A digital device, pursuant to part 15 of the FCC Rules. These limits are designed to provide reasonable protection against harmful interference when the equipment is operated in a commercial environment. This equipment generates, uses, and can radiate radio frequency energy and, if not installed and used in accordance with the instruction manual, may cause harmful interference to radio communications. Operation of this equipment in a residential area is likely to cause harmful interference in which case the user will be required to correct the interference at his own expense.

Fixture intended for commercial use only. Use only in non-insulated applications.



GE Lighting • 1-888-MY-GE-LED (1-888-69-43-533) • [www.gelighting.com](http://www.gelighting.com)

GE Lighting Solutions, LLC is a subsidiary of the General Electric Company. The GE brand, logo, Lumination are trademarks of the General Electric Company.  
© 2013 GE Lighting Solutions, LLC. Information provided is subject to change without notice. All values are design or typical values when measured under laboratory conditions.