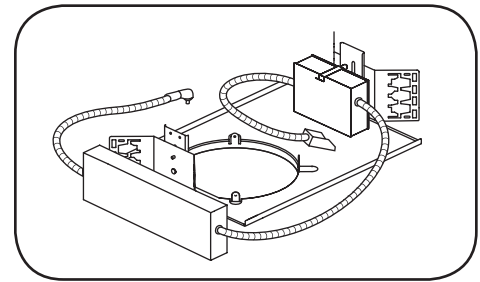


Lumination™ LED Luminaire

Installation Guide

(LRX EMBB New Construction)



BEFORE YOU BEGIN / AVANT DE COMMENCER

Read these instructions and IOTA ILB-CP instruction manual completely and carefully.
Wear work gloves to prevent dirt and oil from being transferred to the luminaire.

⚠ IMPORTANT SAFEGUARDS / MESURES DE SÉCURITÉ IMPORTANTES

- Turn power off before inspection, installation or removal.
- Properly ground electrical enclosure.
- To prevent electrical shock, do not mate unit connector until installation is complete and AC power is supplied to the unit.
- This kit provides more than one power supply output source. To reduce the risk of electrical shock, disconnect both normal and emergency sources by turning off the AC branch circuit and by disconnecting the unit connector.
- Battery is a sealed unit. Components are not replaceable. Replace the entire unit when necessary.
- Installation and servicing should be performed by qualified personnel only. De-energize before opening.
- The kit is for use with grounded LED luminaires listed to UL standards. Not for use in heated air outlets or hazardous locations.
- The kit requires an unswitched AC power source of 120 to 277 volts, 50/60Hz.
- Do not mount near gas or electric heaters.
- The use of accessory equipment not recommended by manufacturer may cause unsafe condition.
- The kit should be mounted in locations and at heights where it will not readily be subjected to tampering by unauthorized personnel.
- The kit and frame will supply output listed as below for 90 minutes.
- For use in 0°C minimum, 40°C maximum ambient temperature.
- Do not use this equipment for other than intended use.
- Install in accordance with the National Electrical Code and local regulations.
- Lighting fixture manufacturers, electricians, and end-users need to ensure product system compatibility before final installation.
- Couper l'alimentation avant l'inspection, l'installation ou d'effectuer de la maintenance
- Effectuer une mise à la terre adéquate du boîtier électrique.
- Pour prévenir les chocs électriques, ne pas connecter le connecteur de l'unité de la batterie avant que l'installation ne soit complétée et que le CA ne soit fourni au luminaire.
- Cette trousse fournit plus d'une source de sortie d'alimentation. Pour réduire les risques d'électrocution, déconnecter toutes les sources de courant en débranchant le CA de la dérivation et aussi en déconnectant le connecteur de l'unité.
- La batterie est une unité scellée dont les composants ne sont pas remplaçables. Remplacer l'unité entière lorsque nécessaire.
- L'installation et la maintenance doivent être effectuée par du personnel qualifié seulement. Couper la tension avant de procéder.
- Cette trousse a été conçue pour être utilisé avec des luminaires DEL possédant une mise à la terre et listés sous un standard UL. Ne pas utiliser pour un usage dans un conduit d'air chaud ou dans des emplacements dangereux.
- Cette trousse requière une source d'alimentation en CA de 120 à 277 volts sans interrupteur à 50/60Hz.
- L'utilisation d'équipement accessoire non recommandé par le fabricant peut causer des conditions dangereuses.
- Cette trousse devrait être installée dans un emplacement adéquat et à une hauteur appropriée dans le but d'empêcher toute manipulation non autorisée.
- Cette trousse et ce châssis fourniront la source lumineuse répertoriée pour 90 minutes
- Peut-être utilisé à une température ambiante entre 0°C minimum et 40°C maximum.
- Ne pas utiliser cet équipement pour autre chose que pour l'utilisation prévue.
- Installer en conformité avec le code électrique national et la réglementation locale.
- Les fabricants d'appareils d'éclairage, les électriciens et les utilisateurs finaux doivent s'assurer de la compatibilité du produit avant l'installation finale.

⚠ CAUTION / ATTENTION

- Follow all NEC and local codes.
- Use only UL approved wire for input/output connections. Minimum size 18AWG copper wire or 14AWG for continuous runs.
- Suivre tous les codes NEC ainsi que les codes locaux.
- Utiliser seulement du câblage approuvé par UL pour les connexions d'entrées et de sorties. Utiliser des conducteurs de cuivre de grosseur 18AWG minimum ou de grosseur 14AWG dans le cas de montage en rangée continue.

Save These Instructions

Use only in the manner intended by the manufacturer. If you have any questions, contact the manufacturer.

Kit vs Fixture

LRXR EMBB Fixture	LRX EMBB Frame Kit	LRXS EMBB Fixture	LRX EMBB Frame Kit
SAP Description	SAP Description	SAP Description	SAP Description
LRXR610ABBCCCEL	FRAME6REL07	LRXS610ABBCCCEL	FRAME6SEL07
LRXR618ABBCCCEL	FRAME6REL10	LRXS618ABBCCCEL	FRAME6SEL10
LRXR618ABBCCCEL	FRAME6REL10	LRXS618ABBCCCEL	FRAME6SEL10
LRXR810ABBCCCEL	FRAME8REL07	LRXS810ABBCCCEL	FRAME8SEL07
LRXR818ABBCCCEL	FRAME8REL10	LRXS818ABBCCCEL	FRAME8SEL10
LRXR830ABBCCCEL	FRAME8REL10	LRXS830ABBCCCEL	FRAME8SEL10
LRXR840ABBCCCEL		LRXS840ABBCCCEL	

Nomenclature for LRX Series

I - "A" Denotes color rendering index (CRI)

8 - 80
9 - 90

II - "BB" Denotes correlated color temperature (CCT)

27 - 2700K
30 - 3000K

35 - 3500K

40 - 4000K

50 - 5000K

III - "CC" Denotes dimming type

MD - 0-10V Dimming

PH - Phase cut Dimming

- FRAME6REL07, FRAME8REL07, FRAME6SEL07, FRAME8SEL07 shall be mounted height Max. 22.71 ft. (6.92m)
- FRAME6REL10, FRAME8REL10, FRAME6SEL10, FRAME8SEL10 shall be mounted height Max. 25.91 ft. (7.92m)

Thickness of ceiling is listed below:

LRXREL Fixture SAP Description	Thickness of Ceiling Max.(mm)	LRXSEL Fixture SAP Description	Thickness of Ceiling Max.(mm)
LRXR610ABBCCCEL	15	LRXS610ABBCCCEL	15
LRXR618ABBCCCEL		LRXS618ABBCCCEL	
LRXR810ABBCCCEL	20	LRXS810ABBCCCEL	20
LRXR818ABBCCCEL		LRXS818ABBCCCEL	
LRXR830ABBCCCEL		LRXS830ABBCCCEL	
LRXR840ABBCCCEL		LRXS840ABBCCCEL	

Prepare Electrical Wiring



Electrical Requirements

- The luminaire must be supplied with 120-277 VAC, 50/60 Hz (In 120-277V application).
- Connected to an individual properly grounded branch circuit, protected by a 15 or 20 ampere circuit breaker. Use min. 75°C supply conductor.



Grounding Instructions

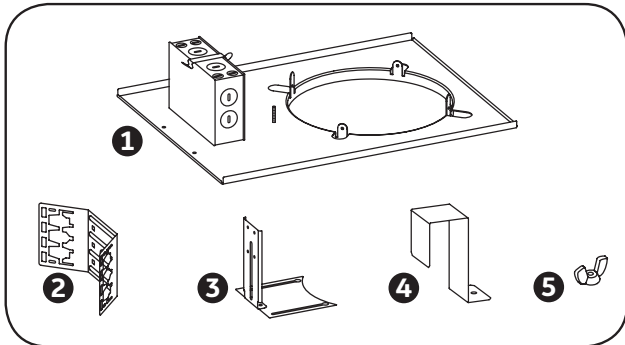
- The grounding and bonding of the overall system shall be done in accordance with National Electric Code (NEC) Article 600 and local codes.

Fixture Requirements

	Provided Item	Qty.
1	LRX EMBB Frame Kit	1
2	LRX EMBB Fixture	1

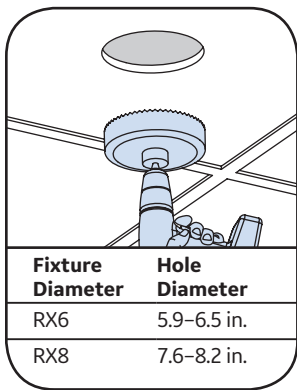
LRX EMBB New Construction Installation

Components

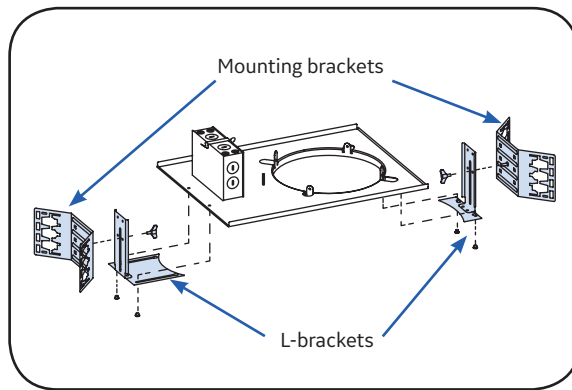


Provided Item	Qty.
1 Frame (6-inch or 8-inch)	1
2 Mounting brackets	2
3 L-Bracket	2
4 U-Bracket (used only with RC Series Installs)	1
5 Wing nut	3

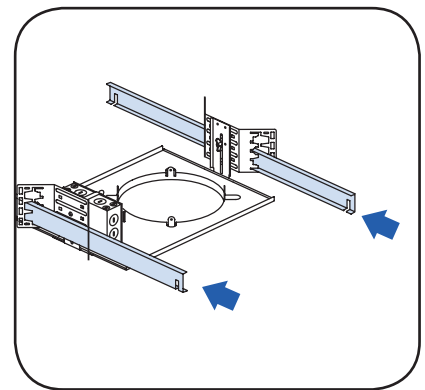
Frame Installation



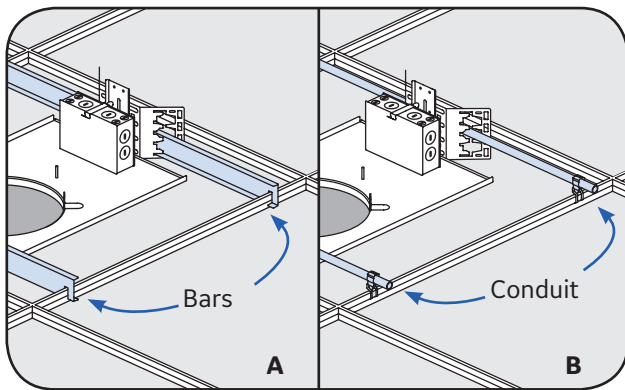
1 Cut the appropriate size hole into ceiling tile.



2 Place side L-brackets on existing frame screws and tighten with screwdriver on both sides of the frame. Then attach mounting brackets to both L-brackets with wing nuts (provided).



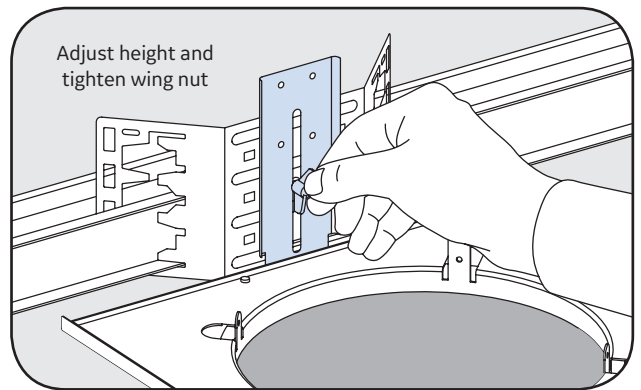
3 Slide hanger bars through adjustable mounting brackets.



4 Option A: Mount fixture by attaching hanger bars to T-Grid ceiling (BH3 SKU 94890).

Option B: Mount fixture with 1/2" EMT conduit.

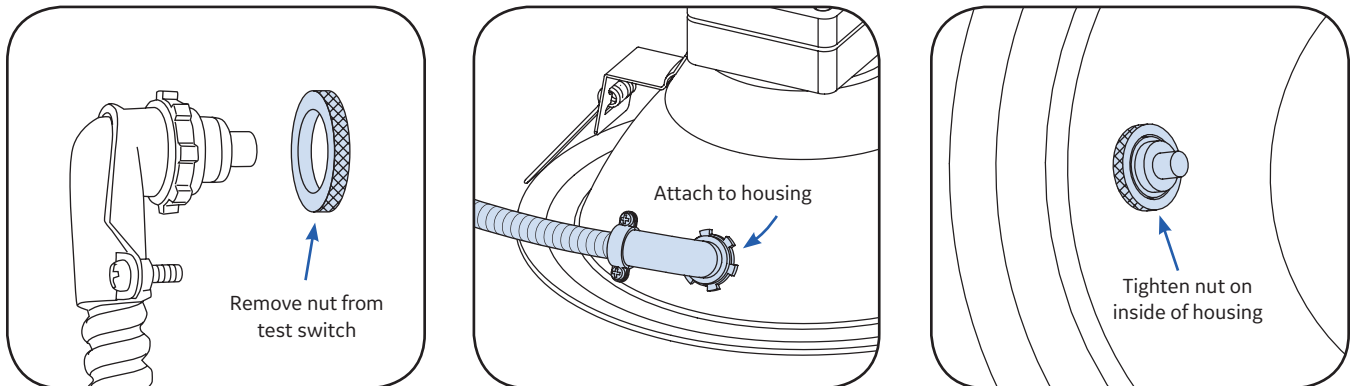
Note: Supplied by 3rd party.



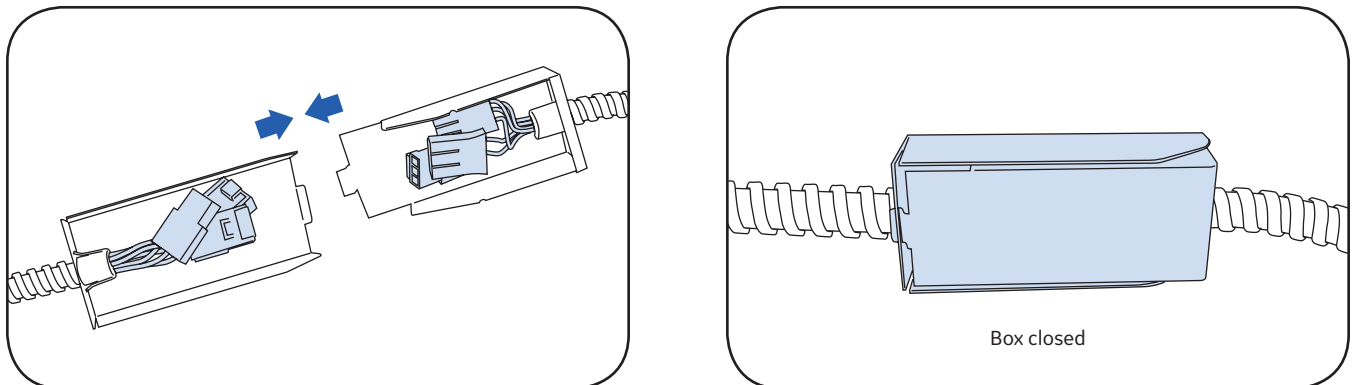
5 Adjust fixture height to be flush with ceiling and tighten both mounting bracket wing nuts.

EMBB Installation

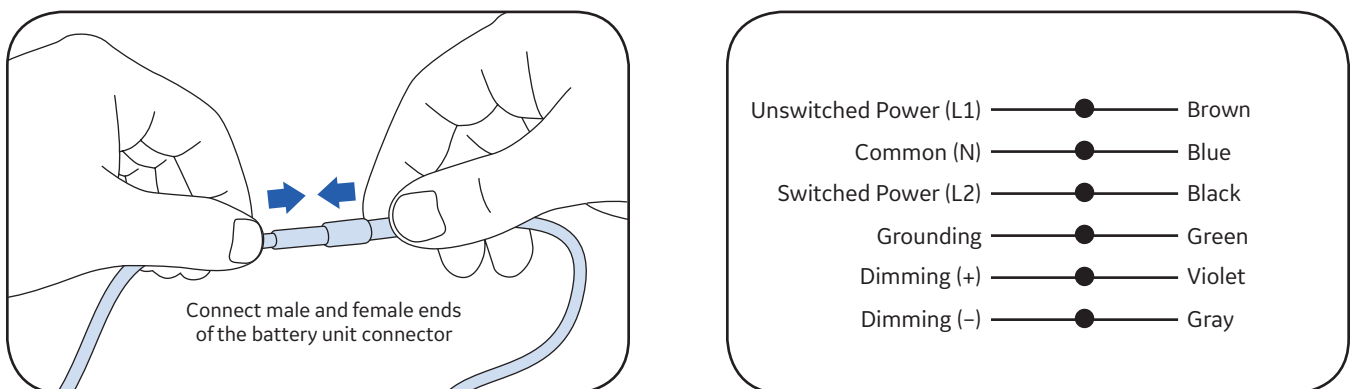
- 1 Ensure that the power to the unit is turned off. Use proper lockout and tagout procedures.



- 2 Secure the battery on the ceiling. Attach the test switch to the LRX EMBB fixture. First remove the nut from the end of test switch, then put test switch through the hole of fixture, then thread nut to test switch.



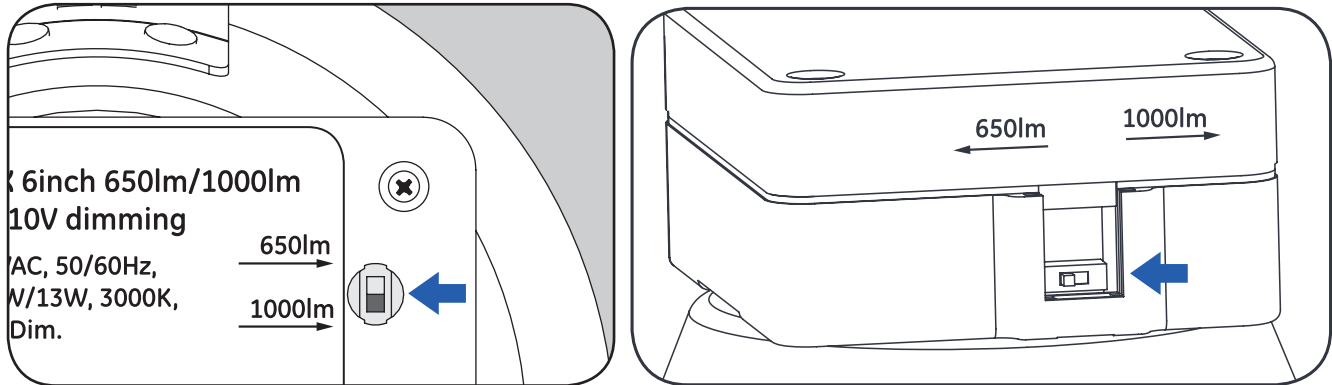
- 3 Connect the quick connector of LRX EMBB fixture with new frame, then close quick connector box well.



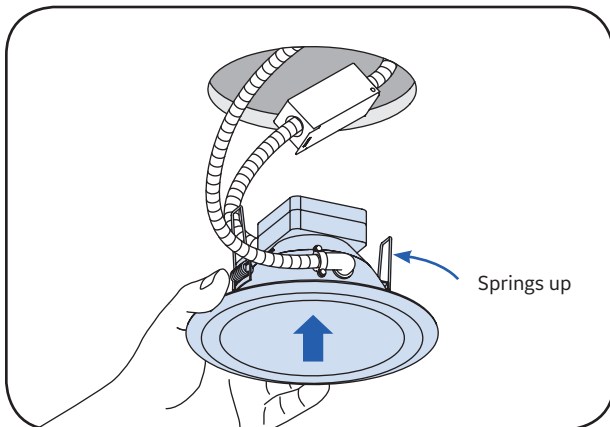
- 4 Connect AC and dimming leads in the junction box. Verify that AC supply line and dimming leads are connected properly.

- If dimming leads will not be utilized, please do not remove the wire connectors.
- For phase cut dimming product, dimming leads can be disconnected.
- Connect male and female ends of the battery unit connector. Then the battery will discharge. Please refer to the picture shown above.
- Wire diagram is shown above.
- Dimming compatibility for both 0-10V and phase cut, please refer to GE website: www.gelighting.com/dimming.

Lumens Setting Switch



NOTE: For switchable product, please refer to the figure bellowing for operation. For 1000/650lm product, default output level is 1000lm. Push switch up or left to activate 650lm. For 4000/3000lm, default output level is 4000lm.



- 5 Load springs into upright position by twisting the springs upward and carefully insert the fixture to the hole of the frame. Ensure fixture is secure.
 - All kit and frame will be completely addressed on ceiling.

This device complies with Part 15 of the FCC Rules. Operation is subject to the following two conditions: (1) This device may not cause harmful interference, and (2) this device must accept any interference received, including interference that may cause undesired operation. CAN ICES-005 (A)/NMB-005(A).

Note: This equipment has been tested and found to comply with the limits for a Class A digital device, pursuant to part 15 of the FCC Rules. These limits are designed to provide reasonable protection against harmful interference when the equipment is operated in a commercial environment. This equipment generates, uses, and can radiate radio frequency energy and, if not installed and used in accordance with the instruction manual, may cause harmful interference to radio communications. Operation of this equipment in a residential area is likely to cause harmful interference in which case the user will be required to correct the interference at his own expense.



www.currentbyge.com

All trademarks are the property of their respective owners. Information provided is subject to change without notice. All values are design or typical values when measured under laboratory conditions. Current, powered by GE is a business of the General Electric Company.
© 2018

IND342 (Rev 08/28/18) GE2031-2480

