

# Lumination™ LED Luminaires

LED Track Light  
LTC Track Series



Projectname \_\_\_\_\_  
Date \_\_\_\_\_  
Type \_\_\_\_\_

## Product Description:

Lumination™ LTC Series LED Track Lights are designed for retail, restaurant, and office applications to deliver superior light where a smaller, less obtrusive fixture is required. Die-cast precision machined housings create a solid, quality product that delights contractors and designers alike. Place the LTC in any setting with field changeable optics, optional accessories and multiple beam angles and colors.

## Performance Summary:

**Lumens:** 600 lm, 916 lm

**Beam Distribution:** Spot (12°), Flood (25°), Wide Flood (35°)

**Lumens:** 750, 1100, 1850lm

**Beam Distribution:** Narrow Flood (17°), Flood (25°), Wide Flood (38°)

**Wattage:** 9.3W, 13.5W, 20.6W

**Efficacy:** 61.5 to 92.5 LPW

**Input Voltage:** 120V

**CCT:** 2700K, 3000K, 3500K and 4000K

**Typical CRI:** 90 CRI with R9>50

**Dimming:** Triac & ELV (Forward & Reverse Phase) dimming standard, down to 10%

**Lifetime Rating:** L85 @ 50,000 Hours

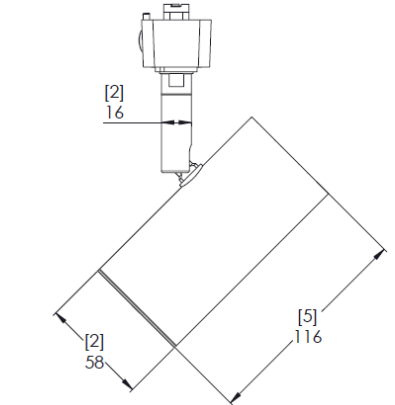
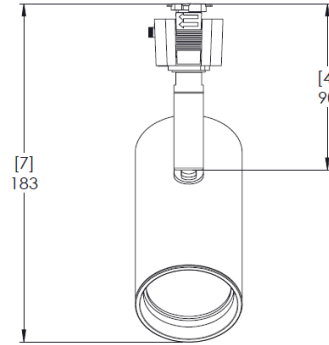
**Limited Warranty:** 5 years

Certified by: **a product of ecomagination**

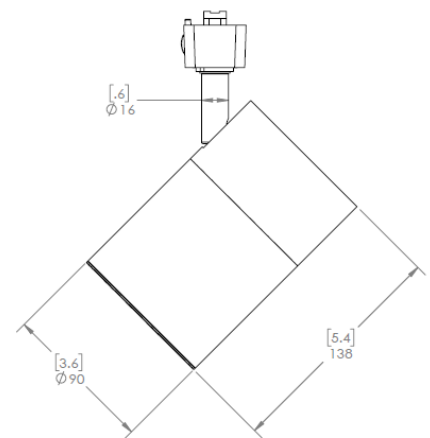
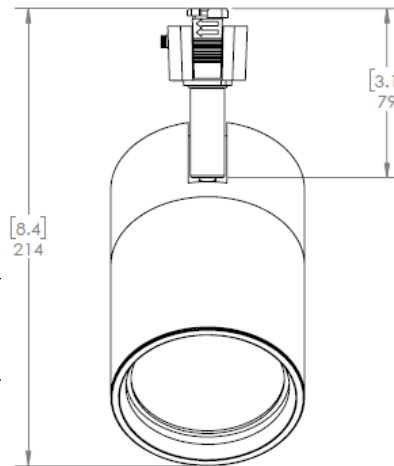


## Product Dimensions:

LTCIDA106 / LTCIDA108 / LTCIDA110 / LTCIDA111



LTCIDA118



## Ordering Information:

**Example:** LTCIDA106WF930PQJ1WHITE – 9.3 Watts, 600 lumens, 3000K CCT, 90 CRI, Wide Flood Beam Spread, Phase Dimmable, White housing, Juno track adapter

PRODUCT FAMILY	DRIVER TYPE	GEN	VOLTAGE	LUMENS	DISTRIBUTION	CRI	CCT	DIMMING CONTROLS	MOUNTING	FINISH	
LTC	ID = Integrated Driver	A = 1 <sup>st</sup> Generation	1 = 120V	06 = 600 lm	SP=Spot-12°	8 <sup>2</sup> =80CRI 9 = 90CRI	27 = 2700K 30 = 3000K 35 = 3500K 40 = 4000K	P = Phase Dimming	Q = None	J1 = Juno, 1-Circuit G1 = Global, 1-Circuit L2 = Lightolier	WHITE = White BLCK = Black SLVR <sup>3</sup> = Silver
				10 = 916 lm	FL=Flood-25° WF=Wide Flood-35°						
				08 <sup>1</sup> = 750 lm 11 <sup>1</sup> = 1100 lm 18 <sup>1</sup> = 1850 lm <small>1. Not EnergyStar Certified</small>	NF = Narrow Flood - 17° FL=Flood-25° WF=Wide Flood-38°	<small>2. 80CRI only available for Lumen 06 option</small>				<small>3. Contact Manufacturer for Lead Time</small>	

## LTC ACCESSORIES FOR LTCIDA106\*\*9\*\*PQ\*\*\*\*\*

SKU	CATLOGIC	DESCRIPTION
93042889	LTCSNWHITE	LTCWHITE SNOOT
93042890	LTCSNBLCK	LTCBLACK SNOOT
93043839	LTCHX	LTCHEXCEL LOUVER

Lumen Code	CCT	Lumens	Watts	Lumen Code	CCT	Lumens	Watts
06*	2700	540	9.3	08	2700	710	9.3
	3000	570	9.3		3000	750	9.3
	4000	600	9.3		4000	790	9.3
10	2700	870	13.5	11	2700	1054	13.5
	3000	916	13.5		3000	1110	13.5
	4000	940	13.5		4000	1139	13.5
				18	2700	1550	20.6
					3000	1850	20.6
					3500	1850	20.6
					4000	1900	20.6

**current**  
powered by GE

# Lumination™ LED Luminaires

Compatible Dimmers and Field Changeable Optics

COMPATIBLE PHASE-CUT DIMMERS 10%-100% Dimming Range	
Dimmer Brand	Dimmer Model
Leviton	6673-10W
	IPI06-1LW
	RPI06-1LW
	81000-W
	6621-W
	6641-W
	VP106-1LX
	6682
	VPM06-1LX
	6633-PLW
Lutron	S-603PGH-WH-C
	LX-600PL
	TG-600PNLH-WHCSA
	S-600H-WH-CSA
	DNG-600PH-IV-CSA
	DVCL-153P
Cooper	DV-600PH-WH-CSA
	SLV-600PH-WH-CSA
	OS106D1
	DI06P-BK-K
	SI061-A-K
	TI061-W-K
Acenti	RI-06P-VW-K2
	9530-PT (REV. A)
Uberhaus	EP-003-ATI06-22A
	46355006

Note: The dimming range will be dependent on each specific dimmer.



PRODUCT DESCRIPTION	MATERIAL DESCRIPTION	SKU	DISTRIBUTION
LTC 06/10 SPOT LENS BLACK	AK-LTC-GEN1-LE-XX-X0-BLCK-SP-10	93096137	SPOT
LTC 06/10 FLOOD LENS BLACK	AK-LTC-GEN1-LE-XX-X0-BLCK-FL-10	93096138	FLOOD
LTC 06/10 WIDE LENS BLACK	AK-LTC-GEN1-LE-XX-X0-BLCK-WF-10	93096139	WIDE FLOOD
LTC 06/10 SPOT LENS WHITE	AK-LTC-GEN1-LE-XX-X0-WHTE-SP-10	93096140	SPOT
LTC 06/10 FLOOD LENS WHITE	AK-LTC-GEN1-LE-XX-X0-WHTE-FL-10	93096141	FLOOD
LTC 06/10 WIDE LENS WHITE	AK-LTC-GEN1-LE-XX-X0-WHTE-WF-10	93096142	WIDE FLOOD
LTC 08/11 NARROW LENS BLACK	AK-LTC-GEN2-LE-XX-X0-BLCK-NF-10	93096143	NARROW FLOOD
LTC 08/11 FLOOD LENS BLACK	AK-LTC-GEN2-LE-XX-X0-BLCK-FL-10	93096144	FLOOD
LTC 08/11 WIDE LENS BLACK	AK-LTC-GEN2-LE-XX-X0-BLCK-WF-10	93096145	WIDE FLOOD
LTC 08/11 NARROW LENS WHITE	AK-LTC-GEN2-LE-XX-X0-WHTE-NF-10	93096146	NARROW FLOOD
LTC 08/11 FLOOD LENS WHITE	AK-LTC-GEN2-LE-XX-X0-WHTE-FL-10	93096147	FLOOD
LTC 08/11 WIDE LENS WHITE	AK-LTC-GEN2-LE-XX-X0-WHTE-WF-10	93096148	WIDE FLOOD
LTC 08/11 TESTER	AK-LTC-GEN1-LE-XX-X0-XXXX-TESTER	93096149	MISC
LTC 08/11 TESTER	AK-LTC-GEN2-LE-XX-X0-XXXX-TESTER	93096150	MISC

# Lumination™ LED Luminaires

## Photometric Data: LTC Track Series

### LTCIDA106SP940PQXX

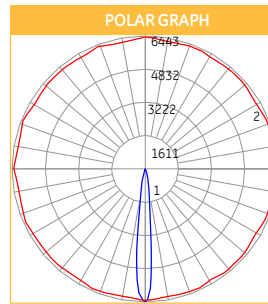
RC		COEFFICIENTS OF UTILIZATION																		
		80%				70%				50%				30%				10%		
RW		70%	50%	30%	10%	70%	50%	30%	10%	50%	30%	10%	50%	30%	10%	50%	30%	10%	0%	
0		119	119	119	119	116	116	116	116	111	111	111	106	106	106	102	102	102	100	
1		114	111	109	107	112	109	107	105	105	104	102	101	100	99	98	97	96	94	
2		109	105	101	98	107	103	100	97	100	97	95	97	95	93	94	93	91	89	
3		105	99	95	92	103	98	94	91	95	92	89	93	90	88	91	89	87	85	
4		101	95	90	86	99	94	89	86	91	88	85	90	86	84	88	85	83	82	
5		98	91	86	82	96	90	85	82	88	84	81	86	83	81	85	82	80	79	
6		94	87	82	79	93	86	82	79	85	81	78	84	80	78	82	79	77	76	
7		92	84	79	76	90	84	79	76	82	78	75	81	78	75	80	77	75	74	
8		89	82	77	74	88	81	77	74	80	76	73	79	76	73	78	75	73	72	
9		87	79	75	72	86	79	74	71	78	74	71	77	74	71	76	73	71	70	
10		84	77	73	70	84	77	73	70	76	72	70	75	72	69	75	71	69	68	

ZONAL LUMEN SUMMARY	
Zone	Lumens
0-10	280.07
10-20	117.56
20-30	66.33
30-40	48.54
40-50	37.73
50-60	24.68
60-70	12.78
70-80	8.52
80-90	2.17
90-100	0.09
100-110	0.07
110-120	0.08
120-130	0.08
130-140	0.08
140-150	0.13
150-160	0.34
160-170	0.52
170-180	0.21

Effective Floor Cavity Reflectance 0.20

ZONAL LUMEN SUMMARY			
Zone	Lumens	% of Lamp	% of Fixture
0-20	397.63	N.A.	66.3
0-30	463.96	N.A.	77.3
0-40	512.5	N.A.	85.4
0-60	574.91	N.A.	95.8
0-80	596.2	N.A.	99.4
0-90	598.38	N.A.	99.7

LUMINANCE DATA (CD/SQ.M)			
Angle in Degrees	0°	45°	90°
45°	18212	18022	17946
55°	12140	12046	12093
65°	7443	7316	7443
75°	7791	7687	7791
85°	4935	4427	4319



Total Luminaire Efficiency = N.A.%

### LTCIDA106WF940PQXX

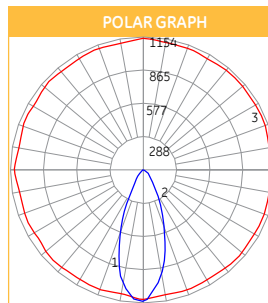
RC		COEFFICIENTS OF UTILIZATION																		
		80%				70%				50%				30%				10%		
RW		70%	50%	30%	10%	70%	50%	30%	10%	50%	30%	10%	50%	30%	10%	50%	30%	10%	0%	
0		119	119	119	119	116	116	116	116	111	111	111	106	106	106	102	102	102	100	
1		114	111	109	107	111	109	107	105	105	103	102	101	100	99	98	97	96	94	
2		108	104	100	97	106	102	99	96	99	96	94	96	94	92	93	91	90	88	
3		104	97	93	89	102	96	92	88	93	90	87	91	88	86	89	86	84	83	
4		99	92	87	83	97	91	86	82	89	84	81	87	83	80	85	82	79	78	
5		94	87	81	77	93	86	81	77	84	80	76	82	79	76	81	78	75	74	
6		90	82	77	73	89	81	76	72	80	75	72	78	74	71	77	74	71	70	
7		86	78	72	69	85	77	72	68	76	71	68	75	71	68	74	70	67	66	
8		83	74	69	65	82	74	68	65	73	68	64	72	67	64	71	67	64	63	
9		80	71	65	62	78	70	65	62	69	65	61	68	64	61	68	64	61	60	
10		76	68	62	59	75	67	62	59	66	62	58	66	61	58	65	61	58	57	

ZONAL LUMEN SUMMARY	
Zone	Lumens
0-10	99.95
10-20	209.76
20-30	166.84
30-40	72.83
40-50	28.18
50-60	12.27
60-70	5.52
70-80	3.02
80-90	0.45
90-100	0
100-110	0
110-120	0
120-130	0
130-140	0.05
140-150	0.19
150-160	0.35
160-170	0.35
170-180	0.15

Effective Floor Cavity Reflectance 0.20

ZONAL LUMEN SUMMARY			
Zone	Lumens	% of Lamp	% of Fixture
0-20	309.71	N.A.	51.6
0-30	476.55	N.A.	79.4
0-40	549.39	N.A.	91.6
0-60	589.84	N.A.	98.3
0-80	598.38	N.A.	99.7
0-90	598.83	N.A.	99.8

LUMINANCE DATA (CD/SQ.M)			
Angle in Degrees	0°	45°	90°
45°	11748	12129	12661
55°	5437	5484	5578
65°	3181	3181	3117
75°	2908	2805	2701
85°	617	617	617



Total Luminaire Efficiency = N.A.%

# Photometric Data: Lumination™ LTC Series

## LTCIDA118FL940PQXX

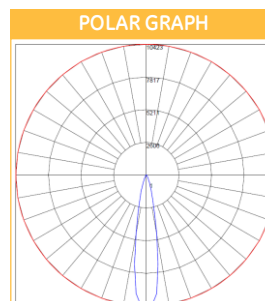
COEFFICIENTS OF UTILIZATION																		
RC	80%				70%				50%			30%			10%			0%
	RW	70%	50%	30%	10%	70%	50%	30%	10%	50%	30%	10%	50%	30%	10%	50%	30%	
0	119	119	119	119	116	116	116	116	111	111	111	106	106	106	102	102	102	100
1	115	113	111	109	113	111	109	108	107	105	104	103	102	101	100	99	98	97
2	111	108	105	102	109	106	103	101	103	101	99	100	98	97	97	96	95	93
3	108	103	99	96	106	102	98	96	99	96	94	97	95	93	95	93	91	90
4	104	99	95	92	103	98	94	91	96	93	90	94	91	89	92	90	88	87
5	101	95	91	88	100	94	91	88	93	90	87	91	89	86	90	88	86	85
6	98	92	88	85	97	91	88	85	90	87	84	89	86	84	88	85	83	82
7	96	89	85	82	95	89	85	82	88	84	82	87	84	81	86	83	81	80
8	93	87	83	80	92	86	82	80	85	82	79	84	81	79	84	81	79	78
9	91	84	80	78	90	84	80	78	83	80	77	82	79	77	82	79	77	76
10	89	82	78	76	88	82	78	76	81	78	75	81	77	75	80	77	75	74

ZONAL LUMEN SUMMARY	
Zone	Lumens
0-10	723.83
10-20	598.97
20-30	224.95
30-40	88.70
40-50	36.00
50-60	18.99
60-70	8.26
70-80	0.13
80-90	0.00
90-100	0.00
100-110	0.00
110-120	0.00
120-130	0.00
130-140	0.00
140-150	0.00
150-160	0.00
160-170	0.11
170-180	0.07

Effective Floor Cavity Reflectance 0.20

ZONAL LUMEN SUMMARY			
Zone	Lumens	% of Lamp	% of Fixture
0-30	1547.75	N.A.	91
0-40	1636.45	N.A.	96.3
0-60	1691.44	N.A.	99.5
0-90	1699.82	N.A.	100

LUMINANCE DATA (CD/SQ.M)			
Angle in Degrees	0°	45°	90°
45°	7621	7452	7452
55°	4437	4312	4291
65°	2488	2431	2403
75°	0	0	0
85°	0	0	0



Total Luminaire Efficiency = N.A.%

## LTCIDA118NF940PQXX

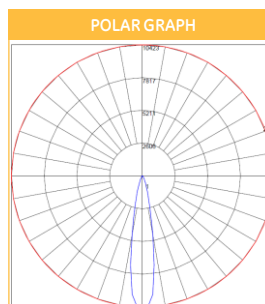
COEFFICIENTS OF UTILIZATION																		
RC	80%				70%				50%			30%			10%			0%
	RW	70%	50%	30%	10%	70%	50%	30%	10%	50%	30%	10%	50%	30%	10%	50%	30%	
0	119	119	119	119	116	116	116	116	111	111	111	106	106	106	102	102	102	100
1	115	113	111	109	113	111	109	108	107	105	104	103	102	101	100	99	98	97
2	111	108	105	102	109	106	103	101	103	101	99	100	98	97	97	96	95	93
3	108	103	99	96	106	102	98	96	99	96	94	97	95	93	95	93	91	90
4	104	99	95	92	103	98	94	91	96	93	90	94	91	89	92	90	88	87
5	101	95	91	88	100	94	91	88	93	90	87	91	89	86	90	88	86	85
6	98	92	88	85	97	91	88	85	90	87	84	89	86	84	88	85	83	82
7	96	89	85	82	95	89	85	82	88	84	82	87	84	81	86	83	81	80
8	93	87	83	80	92	86	82	80	85	82	79	84	81	79	84	81	79	78
9	91	84	80	78	90	84	80	78	83	80	77	82	79	77	82	79	77	76
10	89	82	78	76	88	82	78	76	81	78	75	81	77	75	80	77	75	74

ZONAL LUMEN SUMMARY	
Zone	Lumens
0-10	723.83
10-20	598.97
20-30	224.95
30-40	88.70
40-50	36.00
50-60	18.99
60-70	8.26
70-80	0.13
80-90	0.00
90-100	0.00
100-110	0.00
110-120	0.00
120-130	0.00
130-140	0.00
140-150	0.00
150-160	0.00
160-170	0.11
170-180	0.07

Effective Floor Cavity Reflectance 0.20

ZONAL LUMEN SUMMARY			
Zone	Lumens	% of Lamp	% of Fixture
0-30	1547.75	N.A.	91
0-40	1636.45	N.A.	96.3
0-60	1691.44	N.A.	99.5
0-90	1699.82	N.A.	100

LUMINANCE DATA (CD/SQ.M)			
Angle in Degrees	0°	45°	90°
45°	7621	7452	7452
55°	4437	4312	4291
65°	2488	2431	2403
75°	0	0	0
85°	0	0	0



Total Luminaire Efficiency = N.A.%

## Product Specifications:

### Construction:

- Die-cast and precision machined head.
- Textured powder coat finish.

### Installation:

- Track adapters easily twist into track systems for quick installation.
- Compatible with several brands of track systems.

### Weight:

- LTC Fixture @ 1 lb. for 9.3W and 13.5W
- LTC Fixture @ 3 lb. for 20W

### Optical System:

- Precision designed reflectors and diffusers for optimal efficiency.
- Custom designed spot optical system optimizes CBCP.

### Electrical System:

- Integrated, high-efficiency LED driver.
- Power factor > 0.9.

For more information and access to all of our resources, including our design tool visit: [products.currentbyge.com](http://products.currentbyge.com)



All trademarks are the property of their respective owners. Information provided is subject to change without notice. All values are design or typical values when measured under laboratory conditions. Current, powered by GE is a business of the General Electric Company. © 2018 GE.

