

Lumination™ LED Luminaire

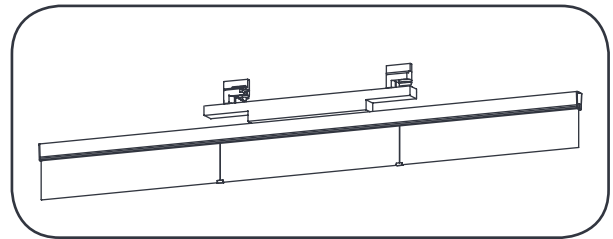
LEL Series - for HTEK/TEK Mounting



BEFORE YOU BEGIN

Read these instructions completely and carefully.

Wear work gloves to prevent dirt and oil from being transferred to the luminaire.



⚠ WARNING/AVERTISSEMENT

RISK OF ELECTRIC SHOCK

- Turn power off before inspection, installation or removal.
- Properly ground electrical enclosure.

RISK OF FIRE

- Follow all NEC or IEC local codes.

RISK OF INJURY

- Luminaire may fall down if not locked into mounting track properly.

RISQUES DE DÉCHARGES ÉLECTRIQUES

- Coupez l'alimentation avant d'inspecter, installer ou déplacer le luminaire.
- Assurez-vous de correctement mettre à la terre le boîtier d'alimentation électrique.

RISQUES D'INCENDIE

- Respectez tous les codes NEC ou IEC ainsi que les et codes locaux applicables.

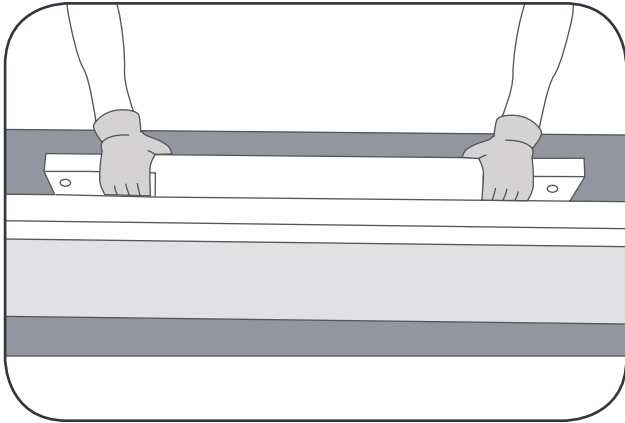
RISQUES DE BLESSURE

- Le luminaire pourrait tomber s'il n'est pas verrouillé en place correctement aux rails de montage.

Save These Instructions

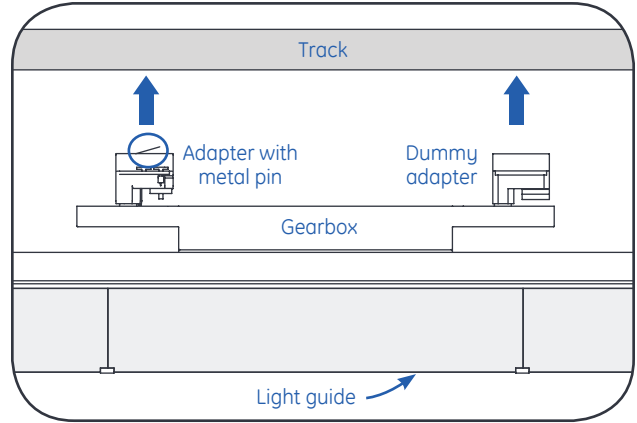
Use only in the manner intended by the manufacturer. If you have any questions, contact the manufacturer.

Luminaire Installation

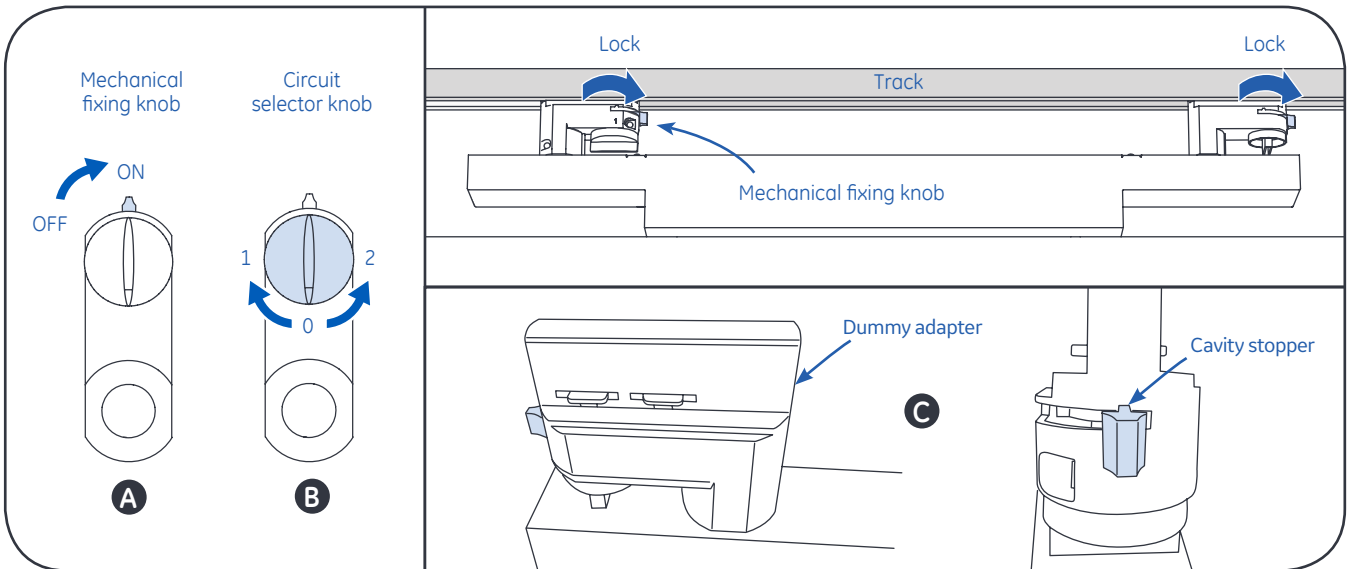


- 1** Unpack unit from packaging. Properly inspect for defects before installing.

RISK OF DAMAGE: Make sure the luminaire is only carried out by holding two ends of gear box. Do not touch the light guide when removing the fixture from the packaging or during the installation.



- 2** Ensure alignment lines on luminaire and adaptors are parallel and insert fixture vertically into track.



- 3** (A) On both adapters, rotate mechanical fixing knob clockwise to ON position to lock fixture to track.
 (B) On adapter with metal pin on top, select the desired circuit with the circuit selector knob.
 (C) For the dummy adapter without the metal pin, need to turn mechanical fixing knob clockwise to the cavity stopper as shown above.

CAUTION: Must turn mechanical fixing knobs to the right position to prevent the luminaire from falling off without locking.

⚠ CAUTION

RISK OF DAMAGE

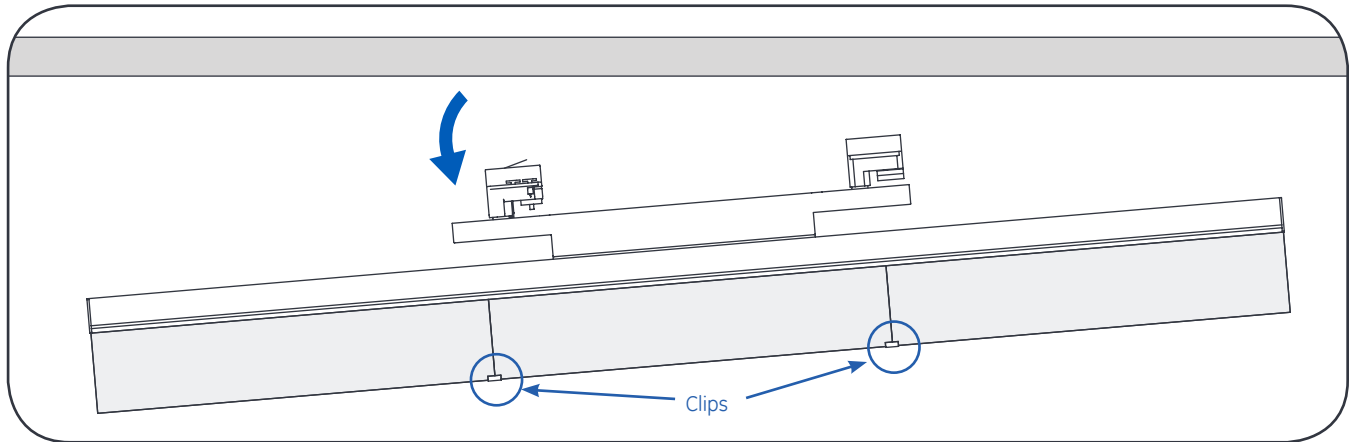
- Remove protective film on Light Guide after installation.
- Do not touch Light Guide to avoid dirt, oil and fingerprints.

⚠ ATTENTION

RISQUE DE DOMMAGES

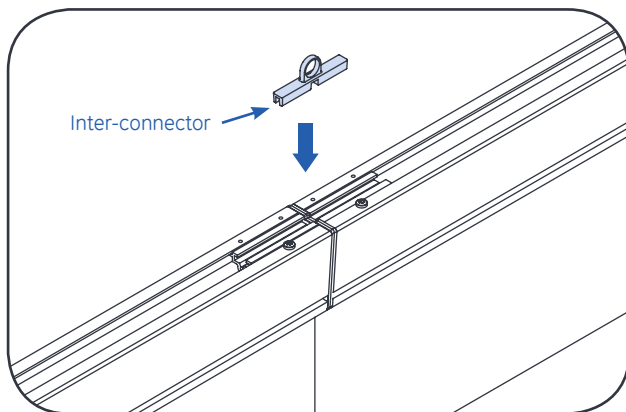
- Retirez le film protecteur du luminaire après son installation.
- Ne touchez pas la surface émettrice du luminaire pour éviter les saletés, graisses ou empreintes digitales.

Luminaire Removal

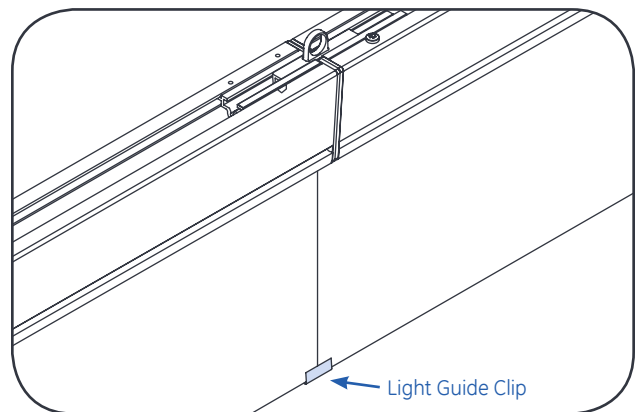


To remove fixture put Circuit Selector to 0 and Mechanical Knob to off. Then, while tilting fixture, remove luminaire marked side first. Carefully check the clips are still in the right positions after removing the protective film. If the clips fall down, need push them back to the right positions.

Luminaire Inter-connection & Alignment (Continuous Mounting)



1 Put the inter-connector on the top of two luminaires, and make sure that the slot of the inter-connector crosses the two end caps.



2 Push the inter-connector into the luminaires. Remove the protective film, and insert the Light Guide clip between the two Light Guides.

This device complies with Part 15 of the FCC Rules. Operation is subject to the following two conditions: (1) This device may not cause harmful interference, and (2) this device must accept any interference received, including interference that may cause undesired operation. CAN ICES-005 (A) / NMB-005 (A)

Note: This equipment has been tested and found to comply with the limits for a Class A digital device, pursuant to part 15 of the FCC Rules. These limits are designed to provide reasonable protection against harmful interference when the equipment is operated in a commercial environment. This equipment generates, uses, and can radiate radio frequency energy and, if not installed and used in accordance with the instruction manual, may cause harmful interference to radio communications. Operation of this equipment in a residential area is likely to cause harmful interference in which case the user will be required to correct the interference at his own expense.

current
powered by GE

All trademarks are the property of their respective owners. Information provided is subject to change without notice. All values are design or typical values when measured under laboratory conditions. Current, powered by GE is a business of the General Electric Company.
© 2019 GE.

