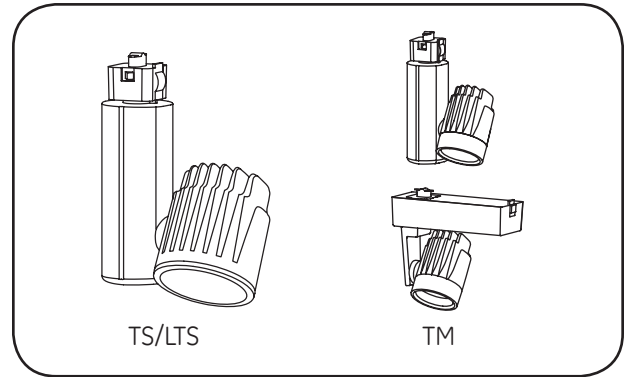


Lumination™ LTS, TS & TM LED Track Light Series

(Lightolier Track)



BEFORE YOU BEGIN

Read these instructions completely and carefully.

FOR USE WITH CEILING MOUNTED TRACK ONLY.

**READ JUNO TRACK INSTALLATION INSTRUCTIONS
FOR GUIDELINES ON TRACK INSTALLATION.**

WARNING

RISK OF ELECTRIC SHOCK

Turn power off before inspection, installation or removal.

CAUTION

To reduce risk of fire and electric shock, use only with Juno single circuit track system.

IMPORTANT SAFETY INSTRUCTIONS

When installing or using this track system, basic safety precautions should always be followed, including the following:

- Read all instructions
- Do not install this track in damp or wet locations.
- Do not cut any track sections.
- Do not install any part of a track system less than 5 feet above the floor.
- Do not install any luminaire assembly closer than 6 inches from any curtain, or similar combustible material.
- Disconnect electrical power before adding to or changing the configuration of the track.
- Do not attempt to energize anything other than lighting track luminaires on the track. To reduce the risk of fire and electric shock, do not attempt to connect power tools, extension cords, appliances, and the like to the track.
- Do not connect a track to more than one branch circuit unless the track is constructed so that it can be used with more than one branch circuit. Check with a qualified electrician. Although the track lighting system may seem to operate acceptably, a dangerous overload of the neutral may occur and result in a risk of fire.

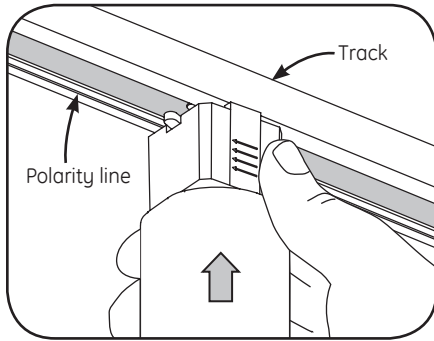
SAVE THESE INSTRUCTIONS

For future reference when adding fixtures
or changing the track configuration.

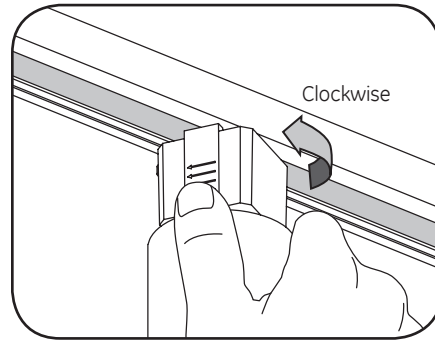


imagination at work

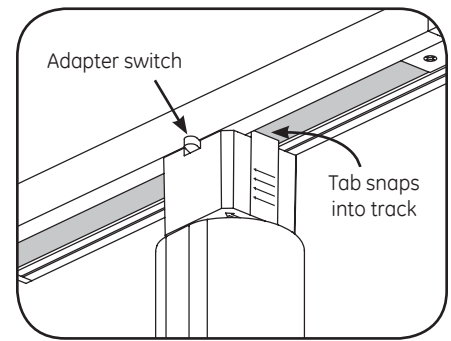
Fixture Installation - Single Circuit Track



- 1 Hold the adapter below the track with your thumb on the spring loaded locking tab. Ensure locking tab is positioned directly opposite the polarity line. Push adapter into track.

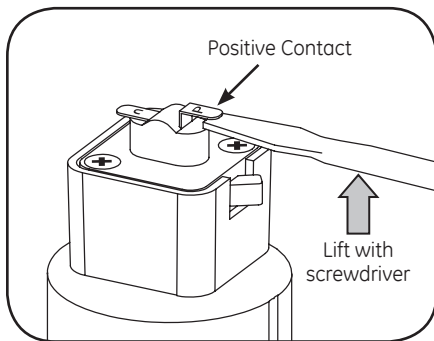


- 2 Rotate adapter 1/4 turn (90°) clockwise.



- 3 Release the locking tab and the fixture should snap into position. Turn the fixture on by the switch.

Fixture Installation - Two Circuit Track



- 1 For Two Circuit installation, the "Positive Contact" (marked "P") must be in raised position, opposite of the "U-marked contact. Raise "Positive Contact" by inserting a thin screwdriver under the contact and lifting upward.
- 2 To attach fixture to Track, proceed the same as with "Single Circuit Track" attachment.

This device complies with Part 15 of the FCC Rules. Operation is subject to the following two conditions: (1) This device may not cause harmful interference, and (2) this device must accept any interference received, including interference that may cause undesired operation. This Class [B] RFLD complies with the Canadian standard ICES-003. Ce DEFR de la classe [B] est conforme à la NMB-003 du Canada.

Note: This equipment has been tested and found to comply with the limits for a Class B digital device, pursuant to part 15 of the FCC Rules. These limits are designed to provide reasonable protection against harmful interference when the equipment is operated in a commercial environment. This equipment generates, uses, and can radiate radio frequency energy and, if not installed and used in accordance with the instruction manual, may cause harmful interference to radio communications. Operation of this equipment in a residential area is likely to cause harmful interference in which case the user will be required to correct the interference at his own expense.

Fixture intended for commercial use only. Use only in non-insulated applications.



www.gelighting.com

GE and the GE Monogram are trademarks of the General Electric Company. All other trademarks are the property of their respective owners. Information provided is subject to change without notice. All values are design or typical values when measured under laboratory conditions. GE Lighting is a business of the General Electric Company. © 2016 GE.

IND281 (Rev 06/13/16)