

Lumination™ LED Luminaires

LED Wall Washer System
LW Series — Wall Washer



Project name _____
Date _____
Type _____

Product Description:

GE LED Wall Washer provides uniform light and draws attention to a large area & emphasizes textures on vertical surfaces. The GE LED Wall Washer is available with different optics to enhance the architectural design of three specific applications: Cove Lighting, Wall Washing, and Wall Grazing.

Wall Washing

Uniformly light vertical surfaces and hides imperfections on flat surfaces. These fixtures are typically mounted in a recess a few feet from the wall.

Targeted Performance Summary:

Distribution Patterns: Wall Washing

Input Voltage: 120/240/277VAC 50/60Hz

Standard Dimming Controls: Compatible with many 0-10V dimmers

CCT: 2700K, 3000K, 3500K and 4000K

Color Consistency: 3 Step MacAdam Ellipse

Ambient Temperature: -20° C to 40° C

Environmental Rating: IP20, dry or damp location rated

Dimming: Compatible with many 0-10V dimmers

Min CRI: 80

Lifetime Rating: L85 @ 50,000 Hours

Mounting Options: Track Mounted

Fixture Weight: 0.68 lb (0.31 kg)

Wattage: MO fixture 5.0 W/fixture (4.8 W/ft, 15.8 W/m)

HO fixture 8.0 W/fixture (7.7 W/ft, 25.3 W/m)

Limited Warranty: 5 years system

Certified by:  

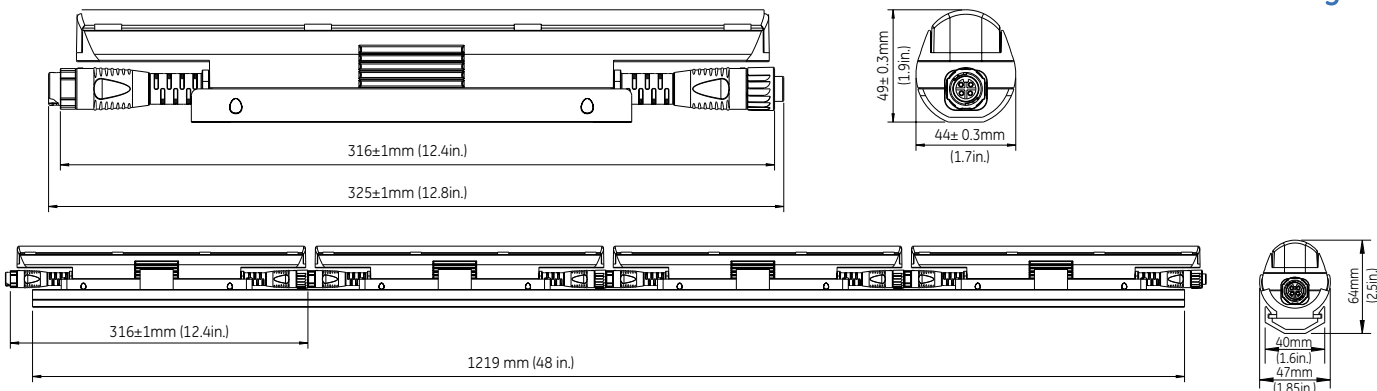


(For HO version only)

Please refer to the DLC QPL website for the latest and most complete information.
www.designlights.org/QPL

Product Dimensions:

a product of
ecomagination™



Ordering Information: For material estimations, take the length of the run in feet divided by 1.04 feet to get the quantity of fixtures needed. Take the run in feet divided by 4 feet to get the quantity of mounting tracks needed.

L LW --- B 0 --- WW 8 --- V Q TM WHT ---

Macro	Product Family	Fixture Type	Generation	Voltage	Nominal Lumens	Distribution	CRI	CCT	Dimming Controls	Mounting	Finish	Options
L = Indoor	LW = Linear Washer	SO = 1' Standard Output HO = 1' High Output	B = 2nd Generation	0 = 120-277V (UL Version)	04 = 400 07 = 700	WW = Wall Washer	8 = 80 CRI	27 = 2700 30 = 3000 35 = 3500 40 = 4000	V = 0-10V Q = none	TM = Track Mounted	WHT = White	Blank if no options



imagination at work

Photometric Data: Lumination™ LED Wall Washer System LW Series Wall Washer

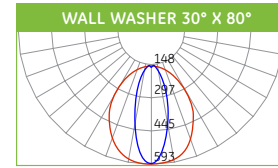
LLWHOB007WW830VQTMWHT

Data based on High Output 3000K. Additional IES.files are available on www.gelightsolutions.com

CANDELA (CD) MEASUREMENTS 30° X 80°		
	V	H
0°	593.3	593.3
10°	444.7	574.6
20°	243.0	520.1
30°	137.2	434.7
40°	78.6	330.7
50°	49.7	224.8
60°	36.6	134.4
70°	27.1	70.2
80°	20.8	27.2
90°	19.1	4.6

VERTICAL & HORIZONTAL BEAM WIDTH (IN M) 30° X 80°		
	V	H
0.5 ft. (0.15 m)	0.09	0.29
1.0 ft. (0.30 m)	0.18	0.57
1.5 ft. (0.46 m)	0.27	0.86
2.0 ft. (0.61 m)	0.37	1.14
2.5 ft. (0.76 m)	0.46	1.43
3.0 ft. (0.91 m)	0.55	1.71

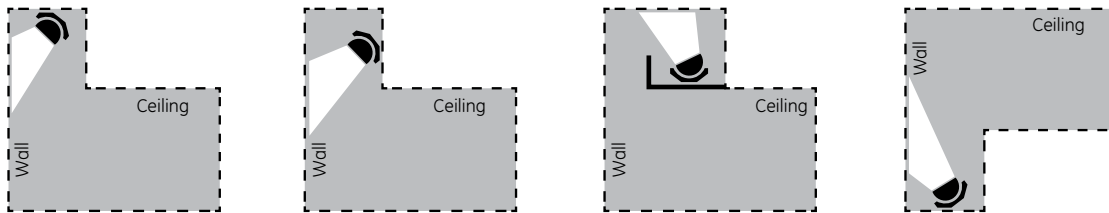
CENTER BEAM ILLUMINANCE (IN LX) 30° X 80°	
25544.2	
6386.1	
2838.2	
1596.5	
1021.8	
709.6	



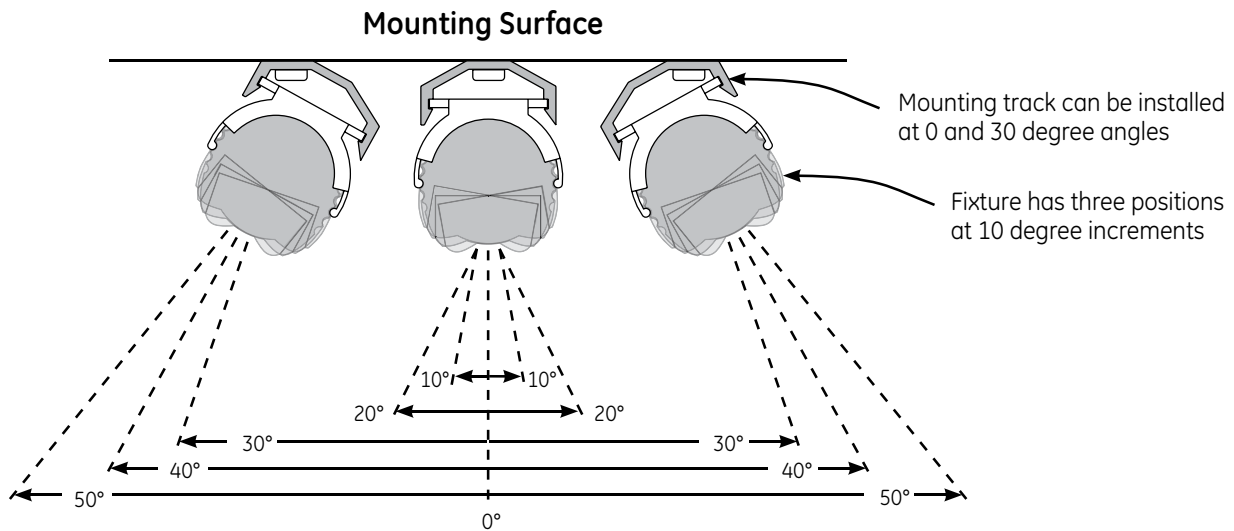
Data based on High Output 3000K. Additional IES.files are available on www.gelightsolutions.com

Mounting Method:

Fixture mounting positions: It is recommended that the LED fixtures be installed into a space no smaller than 3 in. x 3 in. (76mm x 76mm) For additional mounting practices refer to application notes on our website (www.gelightsolutions.com)



Fixture rotation: Light can be directed from 0 to 50 degrees in 10 degree increments in both directions with the help of 1) the rotation angle of the fixture, and 2) the mounting edge of the fixture track.



Fixtures:

Application	Product Code	Description Code	CCT	Wattage	Lens Type	Lumens per Fixture (ft/m)Min	Min LPW	Maximum Run Length
Wall Washer	10785	LLWSOB004WW827VQTMWHT	2700K	5.0W	30° x 80°	380 (367/1203)	76	For 120 VAC: 156 Fixtures (~161.7 feet/49.30m)
Wall Washer	10787	LLWSOB004WW830VQTMWHT	3000K	5.0W	30° x 80°	420 (405/1329)	84	
Wall Washer	10789	LLWSOB004WW835VQTMWHT	3500K	5.0W	30° x 80°	420 (405/1329)	84	For 277 VAC: 340 Fixtures (~352.5 feet/107.44m)
Wall Washer	10801	LLWSOB004WW840VQTMWHT	4000K	5.0W	30° x 80°	430 (415/1361)	86	
Wall Washer	10861	LLWHOB007WW827VQTMWHT	2700K	8.0W	30° x 80°	650 (627/2057)	81	For 120 VAC: 97 Fixtures (~100.6 feet/30.65m)
Wall Washer	10862	LLWHOB007WW830VQTMWHT	3000K	8.0W	30° x 80°	730 (704/2310)	91	
Wall Washer	10864	LLWHOB007WW835VQTMWHT	3500K	8.0W	30° x 80°	730 (704/2310)	91	For 277 VAC: 205 Fixtures (~212.5 feet/64.78m)
Wall Washer	10867	LLWHOB007WW840VQTMWHT	4000K	8.0W	30° x 80°	750 (723/2373)	94	

Components:

Product Code	Description Code	Product Description	Quantity
10902	LLWB-LC2-120	120"/3.0m Leader Cable	1/PK
10903	LLWB-JC2-12	12"/0.3m Jumper Cable	1/PK
10904	LLWB-JC2-48	48"/1.2m Jumper Cable	1/PK
65467	LWW1-MT48/0	48" (1219mm) Mounting Track	10/PK

Product Specifications:

Features & Benefits:

- Precise use of light output and eliminates socket shadows that is common when using fluorescent fixtures
- 0-10V dimmable (as low as 3%)
- Consistent color with 3-step MacAdam ellipse color binning
- Available in a variety of optics to optimize architectural designs
- IP20, dry or damp location rated

LED Technology:

- L85 at 50,000 hours
- 5 year limited warranty
- No UV emissions

For more information and access to all of our resources, including our design tool visit: www.gelighting.com

Installation:

- Field-adjustable mounting for precise fixture angle
- Connect up to 156 fixtures in series at 120 VAC
- Universal 120-277 VAC input design



www.gelighting.com

GE and the GE Monogram are trademarks of the General Electric Company. All other trademarks are the property of their respective owners. Information provided is subject to change without notice. All values are design or typical values when measured under laboratory conditions. GE Lighting is a business of the General Electric Company. © 2016 GE.

IND237 (Rev 03/17/16)