

Lumination™ LED Luminaires

LED Wall Washer System LW Series



Project name _____
Date _____
Type _____

Product Description:

GE LED Wall Washer provides uniform light and draws attention to a large area & emphasizes textures on vertical surfaces. The GE LED Wall Washer is available with different optics to enhance the architectural design of three specific applications: Cove Lighting, Wall Washing, and Wall Grazing.

Cove Lighting

Evenly distribute light over the ceiling and the upper part of walls and ceiling. Typically mounted in a cove recess.

Wall Washing

Uniformly light vertical surfaces and hides imperfections on flat surfaces. These fixtures are typically mounted in a recess a few feet from the wall.

Wall Grazing

Heighten the architectural character of a space by highlighting and accenting textured surfaces. These fixtures are typically mounted less than a foot from the wall in a slot or recess.

Targeted Performance Summary:

Distribution Patterns: Cove Lighting, Wall Washing, and Wall Grazing

Input Voltage: 120/240/277VAC 50/60Hz

Standard Dimming Controls: Compatible with many 0-10V dimmers

CCT: 2700K, 3000K, 3500K and 4000K

Color Consistency: 3 Step MacAdam Ellipse

Ambient Temperature: -20° C to 40° C

Environmental Rating: IP20, dry or damp location rated

Dimming: Compatible with many 0-10V dimmers

Min CRI: 80

Lifetime Rating: L85 @ 50,000 Hours

Mounting Options: Track Mounted

Fixture Weight: 0.68 lb (0.31 kg)

Wattage: MO fixture 5.0 W/fixture (4.8 W/ft, 15.8 W/m)
HO fixture 8.0 W/fixture (7.7 W/ft, 25.3 W/m)

Limited Warranty: 5 years system

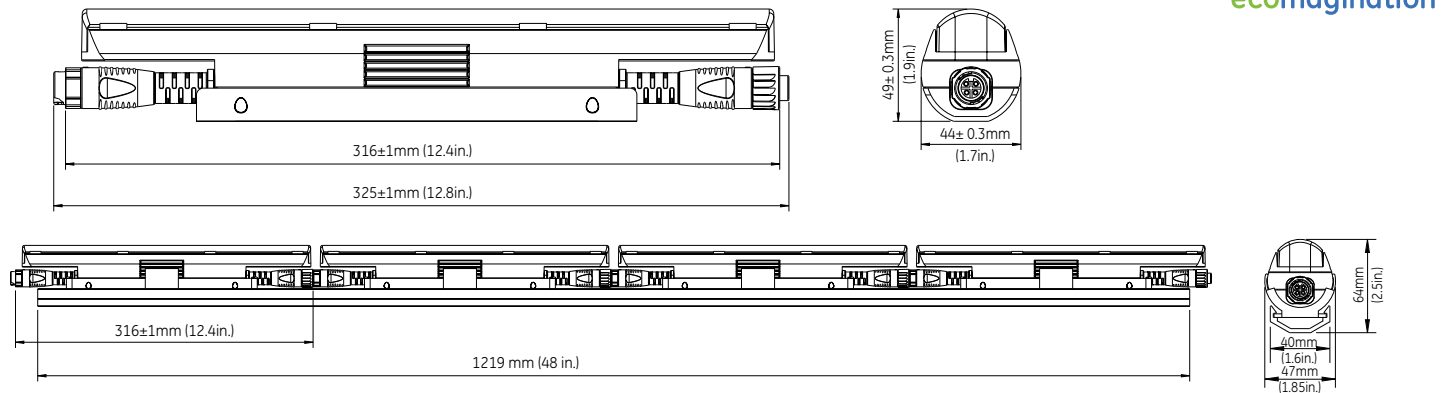
Certified by:  



(For HO version only)

Please refer to the DLC QPL website for the latest and most complete information.
www.designlights.org/QPL

Product Dimensions:



Ordering Information: For material estimations, take the length of the run in feet divided by 1.04 feet to get the quantity of fixtures needed. Take the run in feet divided by 4 feet to get the quantity of mounting tracks needed.

L LW --- B 0 --- --- 8 --- V Q TM WHITE ---

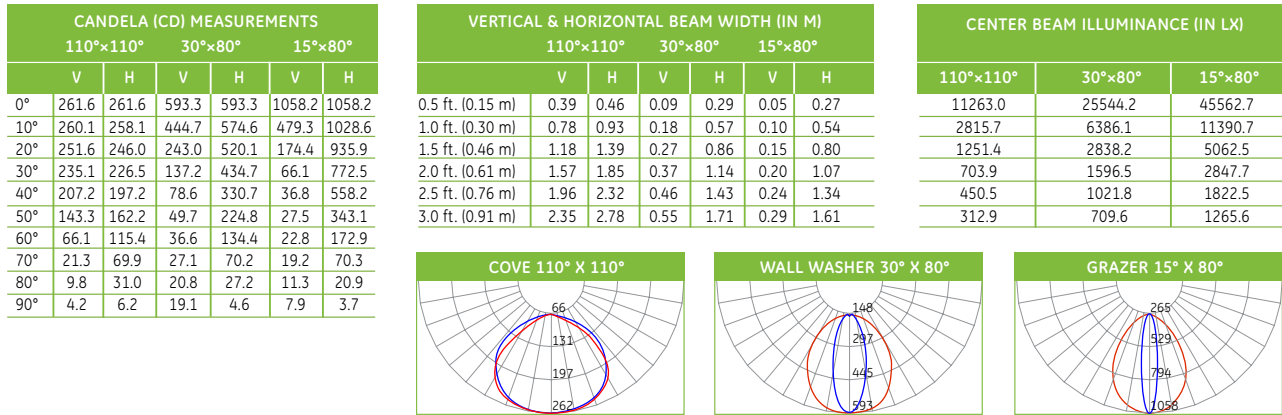
| Macro | Product Family | Fixture Type | Generation | Voltage | Nominal Lumens | Distribution | CRI | CCT | Dimming Controls | Mounting | Finish | Options |
|------------|--------------------|--|--------------------|---------------------------|----------------------|--|------------|--|-----------------------|--------------------|---------------|---------------------|
| L = Indoor | LW = Linear Washer | SO = 1' Standard Output HO = 1' High Output | B = 2nd Generation | 0 = 120-277V (UL Version) | 04 = 400 07 = 700 | CV = Cove Lighting WW = Wall Washer GZ = Wall Grazer | 8 = 80 CRI | 27 = 2700 30 = 3000 35 = 3500 40 = 4000 | V = 0-10V Q = none | TM = Track Mounted | WHITE = White | Blank if no options |



Photometric Data: Lumination™ LED Wall Washer System LW Series

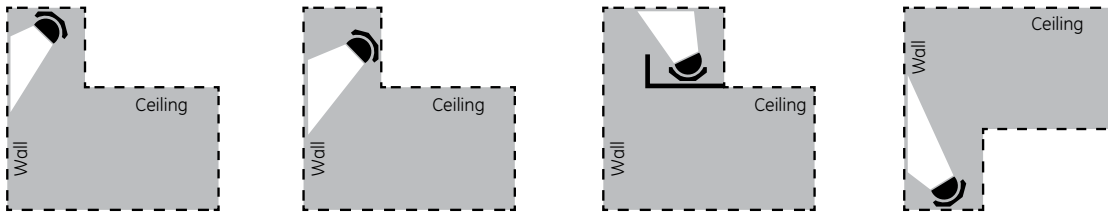
LLWHOB007CV830VQTMWHITE

Data based on High Output 3000K. Additional IES.files are available on www.gelighting.com

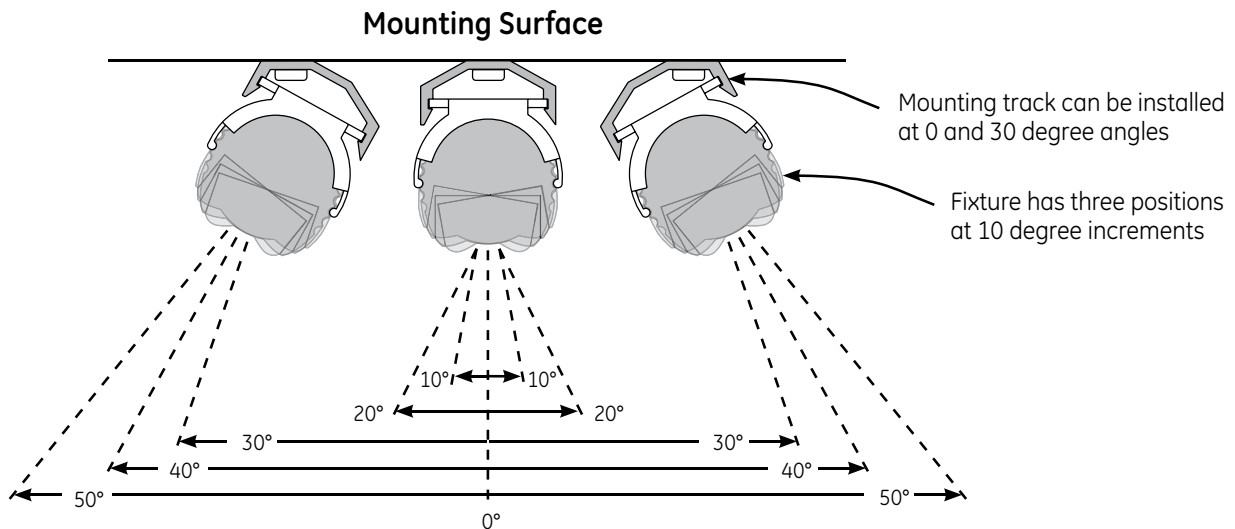


Mounting Method:

Fixture mounting positions: It is recommended that the LED fixtures be installed into a space no smaller than 3 in. x 3 in. (76mm x 76mm) For additional mounting practices refer to application notes on our website (www.gelighting.com)



Fixture rotation: Light can be directed from 0 to 50 degrees in 10 degree increments in both directions with the help of 1) the rotation angle of the fixture, and 2) the mounting edge of the fixture track.



Fixtures:

| Application | Product Code | Description Code | CCT | Wattage | Lens Type | Lumens per Fixture (ft/m)Min | Min LPW | Maximum Run Length |
|-------------|--------------|-----------------------|-------|---------|-----------|------------------------------|---------|---|
| Cove | 10739 | LLWSOB004CV827VQTMWHT | 2700K | 5.0W | 110° Soft | 380 (367/1203) | 76 | |
| Cove | 10740 | LLWSOB004CV830VQTMWHT | 3000K | 5.0W | 110° Soft | 420 (405/1329) | 84 | |
| Cove | 10741 | LLWSOB004CV835VQTMWHT | 3500K | 5.0W | 110° Soft | 420 (405/1329) | 84 | |
| Cove | 10747 | LLWSOB004CV840VQTMWHT | 4000K | 5.0W | 110° Soft | 430 (415/1361) | 86 | For 120 VAC: 156 Fixtures (~161.7 feet/49.30m) |
| Wall Washer | 10785 | LLWSOB004WW827VQTMWHT | 2700K | 5.0W | 30° x 80° | 380 (367/1203) | 76 | |
| Wall Washer | 10787 | LLWSOB004WW830VQTMWHT | 3000K | 5.0W | 30° x 80° | 420 (405/1329) | 84 | For 240 VAC: 305 Fixtures (~316.2 feet/96.38m) |
| Wall Washer | 10789 | LLWSOB004WW835VQTMWHT | 3500K | 5.0W | 30° x 80° | 420 (405/1329) | 84 | |
| Wall Washer | 10801 | LLWSOB004WW840VQTMWHT | 4000K | 5.0W | 30° x 80° | 430 (415/1361) | 86 | |
| Grazer | 10868 | LLWSOB004GZ827VQTMWHT | 2700K | 5.0W | 15° x 80° | 380 (367/1203) | 76 | For 277 VAC: 340 Fixtures (~352.5 feet/107.44m) |
| Grazer | 10869 | LLWSOB004GZ830VQTMWHT | 3000K | 5.0W | 15° x 80° | 420 (405/1329) | 84 | |
| Grazer | 10888 | LLWSOB004GZ835VQTMWHT | 3500K | 5.0W | 15° x 80° | 420 (405/1329) | 84 | |
| Grazer | 10889 | LLWSOB004GZ840VQTMWHT | 4000K | 5.0W | 15° x 80° | 430 (415/1361) | 86 | |
| Cove | 10750 | LLWHOB007CV827VQTMWHT | 2700K | 8.0W | 110° Soft | 650 (627/2057) | 81 | |
| Cove | 10754 | LLWHOB007CV830VQTMWHT | 3000K | 8.0W | 110° Soft | 730 (704/2310) | 91 | |
| Cove | 10758 | LLWHOB007CV835VQTMWHT | 3500K | 8.0W | 110° Soft | 730 (704/2310) | 91 | |
| Cove | 10763 | LLWHOB007CV840VQTMWHT | 4000K | 8.0W | 110° Soft | 750 (723/2373) | 94 | For 120 VAC: 97 Fixtures (~100.6 feet/30.65m) |
| Wall Washer | 10861 | LLWHOB007WW827VQTMWHT | 2700K | 8.0W | 30° x 80° | 650 (627/2057) | 81 | |
| Wall Washer | 10862 | LLWHOB007WW830VQTMWHT | 3000K | 8.0W | 30° x 80° | 730 (704/2310) | 91 | For 240 VAC: 185 Fixtures (~191.8 feet/58.46m) |
| Wall Washer | 10864 | LLWHOB007WW835VQTMWHT | 3500K | 8.0W | 30° x 80° | 730 (704/2310) | 91 | |
| Wall Washer | 10867 | LLWHOB007WW840VQTMWHT | 4000K | 8.0W | 30° x 80° | 750 (723/2373) | 94 | |
| Grazer | 10892 | LLWHOB007GZ827VQTMWHT | 2700K | 8.0W | 15° x 80° | 650 (627/2057) | 81 | For 277 VAC: 205 Fixtures (~212.5 feet/64.78m) |
| Grazer | 10895 | LLWHOB007GZ830VQTMWHT | 3000K | 8.0W | 15° x 80° | 730 (704/2310) | 91 | |
| Grazer | 10899 | LLWHOB007GZ835VQTMWHT | 3500K | 8.0W | 15° x 80° | 730 (704/2310) | 91 | |
| Grazer | 10901 | LLWHOB007GZ840VQTMWHT | 4000K | 8.0W | 15° x 80° | 750 (723/2373) | 94 | |

Components:

| Product Code | Description Code | Product Description | Quantity |
|--------------|------------------|-----------------------------|----------|
| 10902 | LLWB-LC2-120 | 120"/3.0m Leader Cable | 1/PK |
| 10903 | LLWB-JC2-12 | 12"/0.3m Jumper Cable | 1/PK |
| 10904 | LLWB-JC2-48 | 48"/1.2m Jumper Cable | 1/PK |
| 65467 | LWW1-MT48/0 | 48" (1219mm) Mounting Track | 10/PK |

Product Specifications:

Features & Benefits:

- Precise use of light output and eliminates socket shadows that is common when using fluorescent fixtures
- 0-10V dimmable (as low as 3%)
- Consistent color with 3-step MacAdam ellipse color binning
- Available in a variety of optics to optimize architectural designs
- IP20, dry or damp location rated

LED Technology:

- L85 at 50,000 hours
- 5 year limited warranty
- No UV emissions

For more information and access to all of our resources, including our design tool visit: www.gelighting.com

Installation:

- Field-adjustable mounting for precise fixture angle
- Connect up to 156 fixtures in series at 120 VAC
- Universal 120-277 VAC input design



www.gelighting.com

GE and the GE Monogram are trademarks of the General Electric Company. All other trademarks are the property of their respective owners. Information provided is subject to change without notice. All values are design or typical values when measured under laboratory conditions. GE Lighting is a business of the General Electric Company. © 2016 GE.

IND225 (Rev 03/17/16)