

Lumination™ LED Luminaires

LED Architectural Downlight
DI 4" Round Wall Wash Series



Project name _____

Date _____

Type _____

Product Description:

Lumination™ DI Series LED downlights are designed for exceptional efficacy and color rendering. Custom engineered wall wash reflectors optimize uniformity horizontally on the wall. The DI4R wall wash is available in four color temperatures and five lumen packages, up to 90+ CRI.

Performance Summary:

Distribution Patterns: Wall Wash
Input Voltage: 120V, 277V, 347V
Standard Dimming Controls: 0-10V or Phase Control Dimming to 10%
CCT: 3500K, 4000K
CRI: 90
Color Consistency: 4 Step MacAdam Ellipse
Lifetime Rating: L85 @ 50,000 hours; TriGain™ L70 = 60,000 hrs (MLT modules)
Input Frequency (Hz): 60Hz
Power Factor: >0.9
Mounting Options: Hanger bars for grid ceilings (ordered separately under Accessories)
Weight: 5 lbs.
IC Rating: Non-IC Rated
Limited Warranty: 5 years system
Files Available: LM79, LM80, IES, Revit

Nominal Module Lumens	1000	1500	2000	3000	4000
Delivered Lumen Output	870	1290	1750	2620	3426
System Input Power (W)	14	20	25	38	51
System Efficacy (LPW)	62	66	70	69	67
Emergency Mode Lumens	630	630	630	630	630

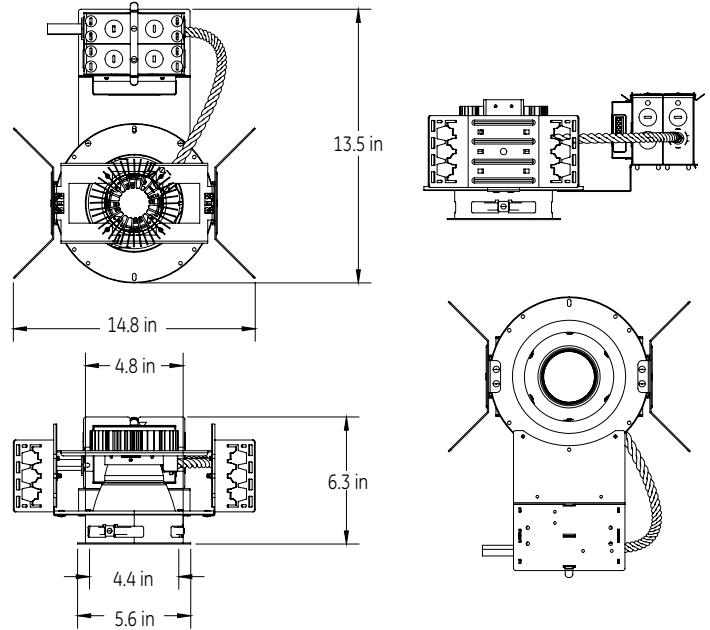
Daintree driver adds 1.4 Watts to System Input Power (W).

Listings: • UL and cUL Listed.
 • Suitable for damp locations.



Product Dimensions:

4" DI Round Wall Wash



Ordering Information: A complete fixture consists of a Housing + Reflector

1. Housing + Module

DI	4R	9	V	LUMINAIRE SKU			
INTERNAL CODE	FIXTURE TYPE	MODULE LUMEN OUTPUT	CRI/CCT	VOLTAGE	DRIVER	OPTIONS	GENERATION
DI	4R = 4" Round Downlight	10 = 1000 LM* 15 = 1500 LM* 20 = 2000 LM* 30 = 3000 LM* 40 = 4000 LM* <small>*NOTE: 1000lm, 2000lm, 4000lm with 3500K must order G2 option.</small>	935 = 90CRI, 3500K 940 = 90CRI, 4000K	1V = 120V 2V* = 277V 3V = 347V	10 = 0-10V Dimming Driver PH ² = Phase Dimming TQ ^{4,6,9} = Daintree	(blank) = None EL ^{4,5} = Emergency Light (only available with 0-10 dimming) H = CCEA Chicago Plenum	(blank) = None G2 = Gen 2 fixture* <small>*NOTE: 1000lm, 2000lm, 4000lm with 3500K must order G2 option. 3000lm is (blank).</small>

Ordering Notes:

1. Wheat, pewter, and gold anodized reflector colors available in SD = Semi-Diffused reflector finish only. Contact factory representative for quote.
2. Black anodized reflectors available in DF = Diffused finish only. Contact factory representative for quote.
3. White painted reflectors only available in PT = Painted reflector finish and WT = White Paint flange finish.
4. The 277V input, 1000lm version, and Daintree, and all EL options are not Energy Star certified.
5. EL option not available with 347V input voltage, phase dimming, Daintree, and G2 options.
6. Contact manufacturer representative for quote.
7. Contact manufacturer representative for quote.
8. Phase dimming only available with 1000, 1500, and 2000 lumen packages, and is not available on any G2 options. Only available for 120V.
9. Daintree driver adds 1.4 Watts to System Input Power (W)

2. Reflector

R	DI4R	WW	REFLECTOR SKU			
REFLECTOR	HOUSING TYPE	BEAM SPREAD	REFLECTOR FINISH	REFLECTOR COLOR	FLANGE FINISH	LENS OPTIONS
R = Reflector	DI4R = 4" Round	WW = Wall Wash	SD = Semi-diffused DF = Diffused PT = Painted	(blank) = Clear (no color) WE ¹ = Wheat PW ¹ = Pewter GO ¹ = Gold BL ² = Black WT ³ = White Paint	MR = Match Reflector WT = White Paint	(blank) = No Lens

current
powered by GE



Housing-Only Option

Lumination™ DI series fixtures without LED modules are stocked in GE distribution centers for quick shipment. These fixtures can be shipped directly to job sites for rough-in, and then later fitted with the appropriate LED module and trim kit to complete the installation.

With the Housing-Only option, distributors can:

- Order just the housings for stock, and then complete the order with the appropriate LED module and reflector at a later date
- Order the stocked housing, module, and reflector all at once for a complete fixture in under 2 weeks

For the housing-only option: A complete fixture consists of a **Housing + LED Module + Reflector**



QUICKSHIP available on selected products.
Contact factory representative for complete listing.

4" Round Housing-Only Fixtures & LED Modules

Downlight Housing-only			compatible LED Modules		
PRODUCT CODE	DESCRIPTION CODE	PRODUCT DESCRIPTION	PRODUCT CODE	DESCRIPTION CODE	PRODUCT DESCRIPTION
93079190	DI4RLL101V10HOG2	4" Round Housing-Only, 120V, 1000lm, 0-10V Gen2	93064853	MLT35A	1000lm, 90 CRI, 3500K
93079191	DI4RLL102V10HOG2	4" Round Housing-Only, 277V, 1000lm, 0-10V Gen2	93064854	MLT40A	1000lm, 90 CRI, 4000K
93078862	DI4RLL1V10HO	4" Round Housing-Only, 120V, 1500lm, 0-10V	19485	DLM1500/935/G2	1500 LM, 90 CRI, 3500K
93078863	DI4RLL2V10HO	4" Round Housing-Only, 277V, 1500lm, 0-10V	93115560	DLM1500/940/G3	1500 LM, 90 CRI, 4000K
93104619	DI4RLL151V10ELHOG2	4" Round Housing-Only, 120V, 1500lm, Gen2, EL option	93064853	MLT35A	1500 LM, 90 CRI, 3500K
93104620	DI4RLL152V10ELHOG2	4" Round Housing-Only, 277V, 1500lm, Gen2, EL option	93064854	MLT40A	1500 LM, 90 CRI, 4000K
93079194	DI4RLL201V10HOG2	4" Round Housing-Only, 120V, 2000lm, 0-10V Gen2	93064853	MLT35A	2000lm, 90 CRI, 3500K
93079195	DI4RLL202V10HOG2	4" Round Housing-Only, 277V, 2000lm, 0-10V Gen2	93064854	MLT40A	2000lm, 90 CRI, 4000K
93104323	DI4RLL202V10ELHOG2	4" Round Housing-Only, 277V, 2000lm, Gen2, EL option			
93040522	DI4RHL1V10HO	4" Round Housing-Only, 120V, 3000lm, 0-10V	19595	DLM3000/935	3000 LM, 90 CRI, 3500K
93040523	DI4RHL2V10HO	4" Round Housing-Only, 277V, 3000lm, 0-10V	34178	DLM3000/940	3000 LM, 90 CRI, 4000K
93103507	DI4RHL401V10HOG2	4" Round Housing-Only, 120V, 4000lm, 0-10V Gen2	93104259	MH935A	4000 LM, 90 CRI, 3500K
93103508	DI4RHL402V10HOG2	4" Round Housing-Only, 277V, 4000lm, 0-10V Gen2	93104260	MH940A	4000 LM, 90 CRI, 4000K

4" Round Wall Wash Stocked Reflectors

PRODUCT CODE	DESCRIPTION CODE	PRODUCT DESCRIPTION
208944	RDI4RWWSDMR	4" Wall Wash Reflector, Wide Distribution, Semi-Diffuse, Polished Flange
208945	RDI4RWWSDWT	4" Round 4" Wall Wash Round Reflector, Wide Distribution, Semi-Diffuse, Polished Flange

Accessories (ordered separately)

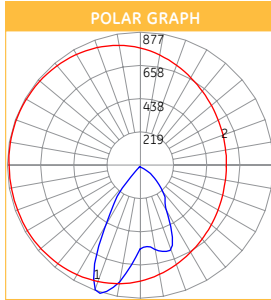
PRODUCT DESCRIPTION	MATERIAL DESCRIPTION	MATERIAL
ENLIGHTED SENSOR KIT	LCACBAVQUNUNGALV	93029451
DAINTREE SENSOR KIT	LCACBAVTQUNGALV	93057194
HANGER BAR, C-CHANNEL - 25 1/4" (BOXED PAIR)	BH3	93110306

current
powered by GE



Photometric Data: Lumination™ DI4R Wall Wash

1000 Lumen LED Module



COEFFICIENTS OF UTILIZATION																					
RC	80%				70%				50%				30%				10%				0%
RW	70%	50%	30%	10%	70%	50%	30%	10%	50%	30%	10%	50%	30%	10%	50%	30%	10%	50%	30%	10%	0%
0	119	119	119	119	116	116	116	116	111	111	111	106	106	106	102	102	102	102	102	102	100
1	113	110	107	105	110	108	105	103	103	102	100	100	98	97	96	95	94	92	92	92	92
2	106	101	97	93	104	99	95	92	96	93	90	93	90	88	90	88	86	84	84	84	84
3	100	93	88	83	98	92	87	83	89	85	81	87	83	80	84	81	79	77	77	77	77
4	94	86	80	75	93	85	79	75	83	78	74	81	76	73	79	75	72	70	70	70	70
5	89	80	73	69	87	79	73	68	77	72	68	75	71	67	74	70	66	65	65	65	65
6	84	74	68	63	82	73	67	63	72	66	62	70	65	62	69	65	61	60	60	60	60
7	79	69	62	58	78	68	62	58	67	61	57	66	61	57	65	60	57	55	55	55	55
8	75	65	58	53	74	64	58	53	63	57	53	62	57	53	61	56	53	51	51	51	51
9	71	60	54	50	70	60	54	50	59	53	49	58	53	49	57	52	49	47	47	47	47
10	67	57	50	46	66	56	50	46	55	50	46	55	50	46	54	49	46	44	44	44	44

Effective Floor Cavity Reflectance 0.20

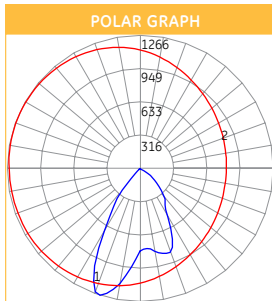
ZONAL LUMEN SUMMARY			
zone	Lumens	% of Lamp	% of Fixture
0-20	263.52	N.A.	30.00
0-30	541.63	N.A.	61.70
0-40	731.26	N.A.	83.30
0-60	860.41	N.A.	98.00
0-80	875.79	N.A.	99.80
0-90	875.92	N.A.	99.80

LUMINANCE DATA (CD/SQ.M)			
Angle in Degrees	0°	45°	90°
45°	27051	26073	9413
55°	17234	16252	4493
65°	6052	6356	1612
75°	458	534	229
85°	113	113	0

ZONAL LUMEN SUMMARY	
zone	Lumens
0-10	58.58
10-20	204.93
20-30	278.12
30-40	189.63
40-50	89.95
50-60	39.20

Total Luminaire Efficiency = N.A.%

1500 Lumen LED Module



COEFFICIENTS OF UTILIZATION																					
RC	80%				70%				50%				30%				10%				0%
RW	70%	50%	30%	10%	70%	50%	30%	10%	50%	30%	10%	50%	30%	10%	50%	30%	10%	50%	30%	10%	0%
0	119	119	119	119	116	116	116	116	111	111	111	106	106	106	102	102	102	102	102	102	100
1	113	110	107	105	110	108	105	103	104	102	100	100	98	97	96	95	94	92	92	92	92
2	107	101	97	93	104	99	95	92	96	93	90	93	90	88	90	88	86	84	84	84	84
3	100	93	88	83	98	92	87	83	89	85	81	87	83	80	84	81	79	77	77	77	77
4	95	86	80	76	93	85	79	75	83	78	74	81	77	73	79	75	72	71	71	71	71
5	89	80	74	69	87	79	73	68	77	72	68	75	71	67	74	70	67	65	65	65	65
6	84	74	68	63	83	74	67	63	72	66	62	70	66	62	69	65	61	60	60	60	60
7	79	69	63	58	78	69	62	58	67	62	58	66	61	57	65	60	57	55	55	55	55
8	75	65	58	54	74	64	58	54	63	57	53	62	57	53	61	56	53	51	51	51	51
9	71	61	54	50	70	60	54	50	59	53	50	58	53	49	57	53	49	48	48	48	48
10	67	57	51	46	66	56	50	46	56	50	46	55	50	46	54	49	46	44	44	44	44

Effective Floor Cavity Reflectance 0.20

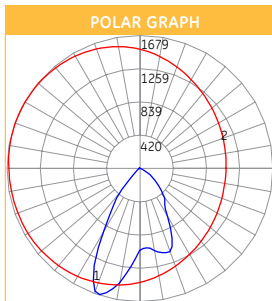
ZONAL LUMEN SUMMARY			
zone	Lumens	% of Lamp	% of Fixture
0-20	392.48	N.A.	30.30
0-30	801.30	N.A.	61.80
0-40	1083.61	N.A.	83.60
0-60	1272.57	N.A.	98.20
0-80	1292.86	N.A.	99.80
0-90	1293.11	N.A.	99.80

LUMINANCE DATA (CD/SQ.M)			
Angle in Degrees	0°	45°	90°
45°	50090	44400	15825
55°	30382	24113	4954
65°	9847	7795	1547
75°	826	777	437
85°	289	433	144

ZONAL LUMEN SUMMARY	
zone	Lumens
0-10	88.77
10-20	303.71
20-30	408.82
30-40	282.31
40-50	133.62
50-60	55.35

Total Luminaire Efficiency = N.A.%

2000 Lumen LED Module



COEFFICIENTS OF UTILIZATION																					
RC	80%				70%				50%				30%				10%				0%
RW	70%	50%	30%	10%	70%	50%	30%	10%	50%	30%	10%	50%	30%	10%	50%	30%	10%	50%	30%	10%	0%
0	119	119	119	119	116	116	116	116	111	111	111	106	106	106	102	102	102	102	102	102	100
1	113	110	107	105	110	108	105	103	104	102	100	100	98	97	96	95	94	92	92	92	92
2	107	101	97	93	104	99	95	92	96	93	90	93	90	88	90	88	86	84	84	84	84
3	100	93	88	83	98	92	87	83	89	85	81	87	83	80	84	81	79	77	77	77	77
4	95	86	80	76	93	85	79	75	83	78	74	81	77	73	79	75	72	71	71	71	71
5	89	80	74	69	87	79	73	68	77	72	68	75	71	67	74	70	67	65	65	65	65
6	84	74	68	63	83	74	67	63	72	66	62	70	66	62	69	65	61	60	60	60	60
7	79	69	63	58	78	69	62	58	67	62	58	66	61	57	65	60	57	55	55	55	55
8	75	65	58	54	74	64	58	54	63	57	53	62	57	53	61	56	53	51	51	51	51
9	71	61	54	50	70	60	54	50	59	53	50	58	53	49	57	53	49	48	48	48	48
10	67	57	51	46	66	56	50	46	56	50	46	55	50	46	54	49	46	44	44	44	44

Effective Floor Cavity Reflectance 0.20

ZONAL LUMEN SUMMARY			
zone	Lumens	% of Lamp	% of Fixture
0-20	520.52	N.A.	30.30
0-30	1062.72	N.A.	61.80
0-40	1437.13	N.A.	83.60
0-60	1687.75	N.A.	98.20
0-80	1714.65	N.A.	99.80
0-90	1714.96	N.A.	99.80

LUMINANCE DATA (CD/SQ.M)			
Angle in Degrees	0°	45°	90°
45°	66430	58891	20982
55°	40290	31982	6576
65°	13061	10353	2053
75°	1069	1020	583
85°	433	577	144

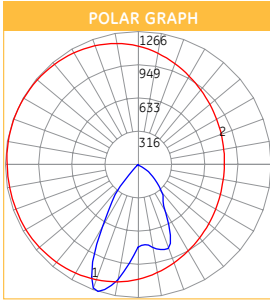
ZONAL LUMEN SUMMARY	
zone	Lumens
0-10	117.73
10-20	402.79
20-30	542.19
30-40	374.42
40-50	177.21
50-60	73.40

Total Luminaire Efficiency = N.A.%



Photometric Data: Lumination™ DI4R Wall Wash

3000 Lumen LED Module



		COEFFICIENTS OF UTILIZATION																					
		80%				70%				50%				30%				10%				0%	
RC	RW	70%	50%	30%	10%	70%	50%	30%	10%	50%	30%	10%	50%	30%	10%	50%	30%	10%	50%	30%	10%	0%	
0	0	119	119	119	119	116	116	116	116	111	111	111	106	106	106	102	102	102	100	100	100	100	
1	1	113	110	107	105	110	108	105	103	104	102	100	100	98	97	96	95	94	92	92	92	92	
2	2	107	101	97	93	104	99	95	92	96	93	90	93	90	88	90	88	86	84	84	84	84	
3	3	100	93	88	83	98	92	87	83	89	85	81	87	83	80	84	81	79	77	77	77	77	
4	4	95	86	80	76	93	85	79	75	83	78	74	81	77	73	79	75	72	71	71	71	71	
5	5	89	80	74	69	87	79	73	68	77	72	68	75	71	67	74	70	67	65	65	65	65	
6	6	84	74	68	63	83	74	67	63	72	66	62	70	66	62	69	65	61	60	60	60	60	
7	7	79	69	63	58	78	69	62	58	67	62	58	66	61	57	65	60	57	55	55	55	55	
8	8	75	65	58	54	74	64	58	54	63	57	53	62	57	53	61	56	53	51	51	51	51	
9	9	71	61	54	50	70	60	54	50	59	53	50	58	53	49	57	53	49	48	48	48	48	
10	10	67	57	51	46	66	56	50	46	56	50	46	55	50	46	54	49	46	44	44	44	44	

Effective Floor Cavity Reflectance 0.20

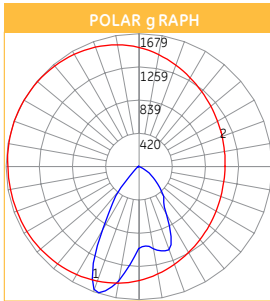
ZONAL LUMEN SUMMARY			
zone	Lumens	% of Lamp	% of Fixture
0-20	392.48	N.A.	30.30
0-30	801.30	N.A.	61.80
0-40	1083.61	N.A.	83.60
0-60	1272.57	N.A.	98.20
0-80	1292.86	N.A.	99.80
0-90	1293.11	N.A.	99.80

LUMINANCE DATA (CD/SQ.M)			
Angle in Degrees	0°	45°	90°
45°	50090	44400	15825
55°	30382	24113	4954
65°	9847	7795	1547
75°	826	777	437
85°	289	433	144

ZONAL LUMEN SUMMARY	
zone	Lumens
0-10	88.77
10-20	303.71
20-30	408.82
30-40	282.31
40-50	133.62
50-60	55.35

Total Luminaire Efficiency = N.A.%

4000 Lumen LED Module



		COEFFICIENTS OF UTILIZATION																					
		80%				70%				50%				30%				10%				0%	
RC	RW	70%	50%	30%	10%	70%	50%	30%	10%	50%	30%	10%	50%	30%	10%	50%	30%	10%	50%	30%	10%	0%	
0	0	119	119	119	119	116	116	116	116	111	111	111	106	106	106	102	102	102	100	100	100	100	
1	1	113	110	107	105	110	108	105	103	104	102	100	100	98	97	96	95	94	92	92	92	92	
2	2	107	101	97	93	104	99	95	92	96	93	90	93	90	88	90	88	86	84	84	84	84	
3	3	100	93	88	83	98	92	87	83	89	85	81	87	83	80	84	81	79	77	77	77	77	
4	4	95	86	80	76	93	85	79	75	83	78	74	81	77	73	79	75	72	71	71	71	71	
5	5	89	80	74	69	87	79	73	68	77	72	68	75	71	67	74	70	67	65	65	65	65	
6	6	84	74	68	63	83	74	67	63	72	66	62	70	66	62	69	65	61	60	60	60	60	
7	7	79	69	63	58	78	69	62	58	67	62	58	66	61	57	65	60	57	55	55	55	55	
8	8	75	65	58	54	74	64	58	54	63	57	53	62	57	53	61	56	53	51	51	51	51	
9	9	71	61	54	50	70	60	54	50	59	53	50	58	53	49	57	53	49	48	48	48	48	
10	10	67	57	51	46	66	56	50	46	56	50	46	55	50	46	54	49	46	44	44	44	44	

Effective Floor Cavity Reflectance 0.20

ZONAL LUMEN SUMMARY			
zone	Lumens	% of Lamp	% of Fixture
0-20	520.52	N.A.	30.30
0-30	1062.72	N.A.	61.80
0-40	1437.13	N.A.	83.60
0-60	1687.75	N.A.	98.20
0-80	1714.65	N.A.	99.80
0-90	1714.96	N.A.	99.80

LUMINANCE DATA (CD/SQ.M)			
Angle in Degrees	0°	45°	90°
45°	66430	58891	20982
55°	40290	31982	6576
65°	13061	10353	2053
75°	1069	1020	583
85°	433	577	144

ZONAL LUMEN SUMMARY	
zone	Lumens
0-10	117.73
10-20	402.79
20-30	542.19
30-40	374.42
40-50	177.21
50-60	73.40

Total Luminaire Efficiency = N.A.%

Product Specifications:

Ratings:

- Operating temperature: -20°C to +35°C
- Storage temperature: -40°C to +70°C
- Surge protection: ANSI C82.77-5 compliant
- Environmental: RoHS compliant

Construction:

- 16 gauge galvanized steel housing
- 0.032" thick reflectors resist dents during transportation and installation
- Custom engineered heat sinks for passive cooling at all lumen options
- Galvanized steel junction box with multiple 1/2" trade-size knockouts

Installation:

- Universal mounting brackets with over 3" of vertical adjustment accommodate several types of hanger bars
- Accommodates ceilings up to 1.5" thick
- Mount in T-bar grid ceilings, not for drywall applications.
- LED module twists in at time of trim installation, preventing damage to module during ceiling installation. Refer to Installation Guide for proper installation procedures if self-installing.

Optical System:

- Custom engineered reflectors for precise beam distributions and 45° cutoff to light source and source image
- Self-flanged design with white painted or reflector-matching trim
- Standard semi-diffuse finish for ideal combination of optical efficiency and low glare

Electrical System:

- Class 2 LED Drivers
- LED module for exceptional performance and tool-free upgradeability
- Standard 0-10V dimming, high efficiency drivers
- Thermal protection feature in module protects LEDs from overheating in abnormal conditions
- Wireless networking & sensing: ZigBee Wireless Daintree-enabled with no sensor - Controls Option TQ

For more information and access to all of our resources, including our design tool visit: www.products.CurrentByGE.com



All trademarks are the property of their respective owners. Information provided is subject to change without notice. All values are design or typical values when measured under laboratory conditions. Current, powered by GE is a business of the General Electric Company. © 2019 GE.

