

Lumination™ LED Luminaires

TS Series Recessed Multiples 2-Head



Project name _____
Date _____
Type _____

Product Description:

Lumination™ TS Series Recessed Multiples leverage the performance and aesthetics of the TS series track light to create recessed, adjustable accent lighting ideal for high-end retail applications. Available in 2 or 3 head designs, and both trim and trimless versions, the TSM series delivers outstanding performance and versatility. These fixtures have a 50,000 hour rated life and low energy consumption for extremely low maintenance and operating costs. Standard "Visual Comfort" lens minimizes glare and delivers the look of traditional accent lighting with all of the benefits of LED. TSM Series is also available with reveal® Whiter White™ technology. Ideal for retail accent lighting applications, this great technology delivers bright, crisp whites while also enhancing most other colors for a light experience like no other.

Targeted Performance Summary:

Distribution Patterns: Spot, Flood, Wide Flood

Input Voltage: 120-277V

Standard Dimming Controls: 0-10V to 10%

CCT: 2700K, 3000K, 3500K (excludes Whiter White)

CRI: 80 and 90 CRI options, 95 CRI (Whiter White)

Color Consistency: 4 Step MacAdam Ellipse

Lifetime Rating: L70 @ 50,000 Hours

Mounting Options: Hanger bars for grid or drywall ceilings

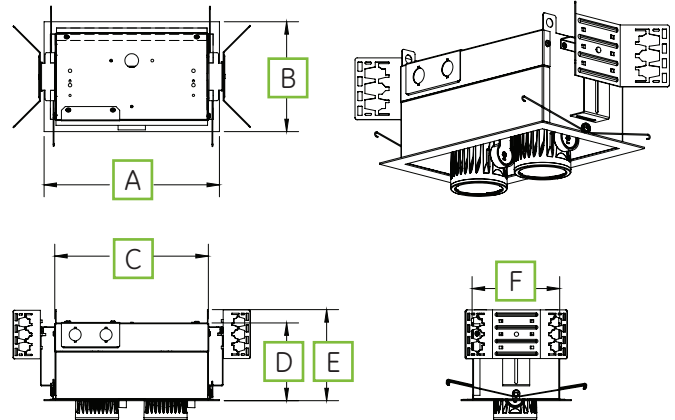
Limited Warranty: 5 years system

Configuration	Fixture Lumens	Fixture Watts	Fixture LPW	Lumens per Head
2-Head, L1*	2100	25	84	1050
2-Head, L2*	2820	33	85	1410
2-Head, S1*	1620	25	63	810
2-Head, S2*	1980	33	59	990
2-Head, W1*	1640	38	43	820

*based on 3000K CCT, 80 CRI Version

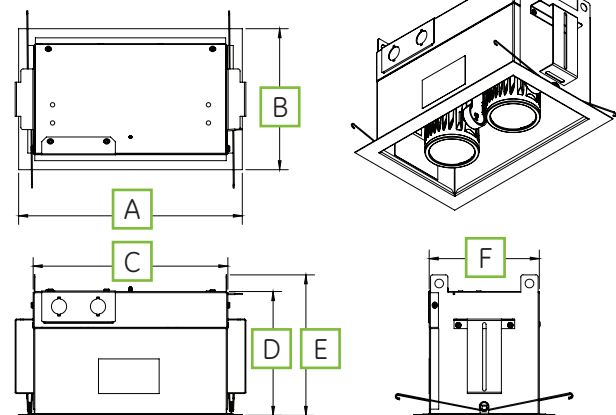
Product Dimensions:

Semi-Recessed



A = 12.79" (324.87mm) B = 8.02" (203.71mm) C = 11.20" (284.48mm)
D = 5.67" (144.02mm) E = 6.64" (168.66mm) F = 6.39" (162.31mm)

Fully-Recessed



A = 12.91" (327.91mm) B = 8.14" (206.76mm) C = 11.24" (285.50mm)
D = 7.15" (181.61mm) E = 8.11" (205.99mm) F = 6.35" (161.29mm)

Certified by: LISTED

a product of ecomagination™

1. Housing – Example: TSMS2L1830FLWMV10

T S M

2

M V

10

INTERNAL CODE	HEAD POSITION	NUMBER OF HEADS	LUMEN PACKAGE PER HEAD	CCT/CRI	BEAM ANGLE	HOUSING/HEAD FINISH COLOR	VOLTAGE	DRIVER
TSM = TS Series Recessed Multiple	S = Semi-Recessed R = Fully-Recessed	2 = 2 Heads	L1 = 1050 lm L2 = 1410 lm S1 = 810 lm S2 = 990 lm W1 = 820 lm	827 = 80 CRI, 2700K 830 = 80 CRI, 3000K 835 = 80 CRI, 3500K 927 = 90 CRI, 2700K 930 = 90 CRI, 3000K WTW ² = Whiter White	FL = Flood - 25° WF = Wd Flood - 35° SP ¹ = Spot - 13° SP ³ = Spot - 18°	W = White B = Black S = Silver	MV = 120-277V	10 = 0-10V Dimming

2. Trim - Example: TSMTRIM2W

T S M T R I M

2

INTERNAL CODE	NUMBER OF HEADS	TRIM COLOR
TSM = TS Series Recessed Multiple Trim	2 = 2 Heads	W = White B = Black S = Silver

Ordering Notes:

- SP¹ = Spot Beam 13° Angle is available for S1 and S2 Lumen Packages only.
- W1 lumen package should use the WTW Whiter White CCT/CRI order code.
- SP³ = Spot Beam 18° Angle is available for W1 Lumen Packages only.

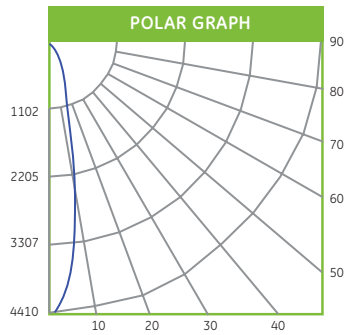
Lumination™ LED Luminaires

Photometric Data: TSM Series Recessed Multiples

Flood Distribution - 1050 Lumens per Head - 21° Beam

CANDLEPOWER SUMMARY	
Angle	Candela
0	4839
5	4244
15	1422
25	592
35	299
45	53
55	15

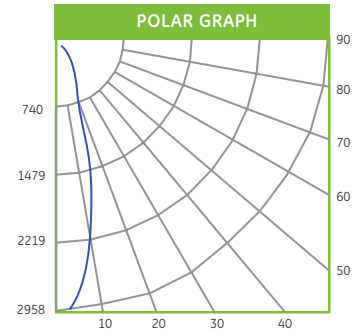
CONE OF LIGHT		
Height	fc	Dia. (ft.)
6'	122	2.2
8'	69	3.0
10'	44	3.7
12'	31	4.4
14'	22	5.2
16'	17	5.9



Wide Flood Distribution - 1050 Lumens per Head - 28° Beam

CANDLEPOWER SUMMARY	
Angle	Candela
0	2913
5	2792
15	1400
25	561
35	237
45	29
55	8

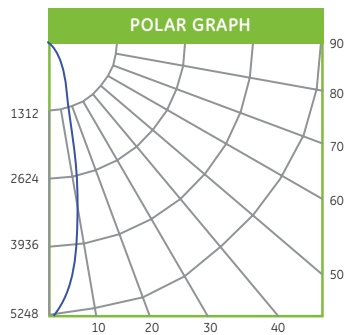
CONE OF LIGHT		
Height	fc	Dia. (ft.)
6'	81	3.0
8'	40	4.1
10'	26	5.2
12'	18	6.2
14'	13	7.2
16'	10	8.3



Flood Distribution - 1410 Lumens per Head - 23° Beam

CANDLEPOWER SUMMARY	
Angle	Candela
0	5248
5	4604
15	1543
25	642
35	325
45	58
55	24

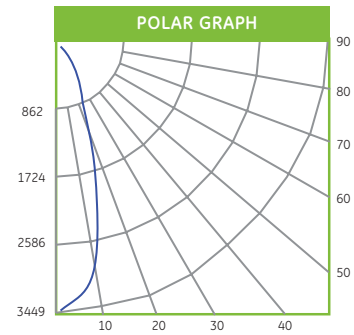
CONE OF LIGHT		
Height	fc	Dia. (ft.)
6'	146	2.4
8'	82	3.3
10'	52	4.9
12'	36	5.5
14'	27	5.7
16'	21	6.5



Wide Flood Distribution - 1410 Lumens per Head - 32° Beam

CANDLEPOWER SUMMARY	
Angle	Candela
0	3440
5	3296
15	2028
25	767
35	309
45	41
55	13

CONE OF LIGHT		
Height	fc	Dia. (ft.)
6'	96	3.4
8'	40	4.1
10'	26	5.2
12'	18	6.2
14'	13	7.2
16'	10	8.3



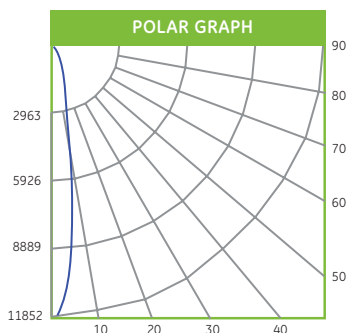
Lumination™ LED Luminaires

Photometric Data: Photometric Data: TSM Series Recessed Multiples

Spot Distribution - 810 Lumens per Head - 13° Beam

CANDLEPOWER SUMMARY	
Angle	Candela
0	11852
5	8142
15	370
25	66
35	45
45	30
55	20

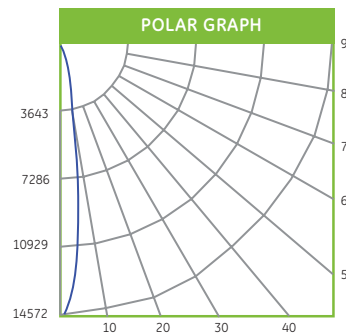
CONE OF LIGHT		
Height	fc	Dia. (ft.)
6'	329	1.4
8'	185	1.8
10'	119	2.3
12'	82	2.7
14'	60	3.2
16'	46	3.6



Spot Distribution - 990 Lumens per Head - 13° Beam

CANDLEPOWER SUMMARY	
Angle	Candela
0	14571
5	10010
15	455
25	81
35	55
45	37
55	25

CONE OF LIGHT		
Height	fc	Dia. (ft.)
6'	405	1.4
8'	228	1.8
10'	146	2.3
12'	101	2.7
14'	74	3.2
16'	57	3.6



Product Specifications:

Construction:

- Die-cast and precision machined head
- 2-piece die-cast and precision machined driver compartment
- Textured powder coat finish
- Nylon lock washer firmly sets aiming angle

Installation:

- Complete with hanging system for new and retrofit installation
- Available in trimmed and trimless with drywall mud ring

Optical System:

- Visual Comfort lens reduces glare and eliminates pixilation
- Precision designed reflectors and diffusers for optimal efficiency
- Custom designed spot optical system optimizes CBCP

Electrical System:

- Integrated, high-efficiency LED driver
- Dimmable 0-10V
- Power factor > 0.9

For more information and access to all of our resources, including our design tool visit: www.gelighting.com



www.gelighting.com

GE and the GE Monogram are trademarks of the General Electric Company. All other trademarks are the property of their respective owners. Information provided is subject to change without notice. All values are design or typical values when measured under laboratory conditions. GE Lighting is a business of the General Electric Company. © 2016 GE.

IND155 (Rev 06/02/16)