

GE
Lighting

Lumination™ LED Luminaires

Accent Lighting | TS Series



imagination at work



Impressive Flexibility

GE Lumination TS Series Track Lights & Recessed Multiples provide an array of first class options for architects, designers and facility managers who want superior flexibility in an LED accent lighting system. Great for Retail, Hospitality, Restaurant, Gallery and High-End Office settings, the TS Series delivers impressively high light levels in a sleek, compact design. Beneficial options include a wide range of lumen packages, color temperatures, and beam distributions. This advanced LED system lets you put the right amount of light exactly where you want it, for the ultimate effect.

a product of
ecomagination™



On Track Performance

TS Series LED Track Lights feature cutting-edge LEDs and optical systems to create dramatic lighting schemes in any retail, hospitality, gallery or high-end office setting. Advanced engineering produces exceptional thermal management in a distinctive, compact design. A wide range of lumen packages, color temperatures, and beam distributions provide the options you need. It's all the advantages of track lighting ...with unexpectedly high light levels and superior energy efficiency.



Multiple Possibilities

TS Series Recessed Multiples expand your precise control. Now, you can point the light in several directions at once from a single compact, multi-faceted fixture. Choose from 2- and 3-head models, each incorporating unique architectural cooling fins and a single driver. Use the semi-recessed version for retail applications requiring more aiming flexibility, or select fully recessed for architectural projects that don't break the ceiling plane. Available in trim and trim-less versions.



Simulated image

Extreme Efficiency

All TS Series products use carefully specified LEDs along with a precision designed optic system to deliver class-leading performance. Whether it's the 90 lumen-per-watt floods or the 16,000 CBCP spot, the TS series will reduce operating costs while increasing merchandise appeal. TS Series Track is available with reveal® Whiter White technology which delivers bright, crisp whites while also enhancing most other colors.

TS Series Features & Benefits

- Lumen packages from 890 – 1750 Lm
- 90 LPW typical flood versions
- 16,000 CBCP spot
- Color temperatures for any application 2700K/3000K/3500K (excludes Whiter White)
- 80 and 90 CRI options, 95 CRI (Whiter White)
- Compatible with Global, Halo, and Juno track systems
- Long life (L70 at 50,000 hours) minimizes the need for maintenance
- 5 year limited warranty
- reveal® Whiter White technology
- Visual Comfort Lens to minimize glare

Applications

- Retail
- Hospitality/Restaurant
- Gallery
- High-End Office

TS Series Recessed Multiples Features & Benefits

- 2 or 3 head, trim or trim-less, semi-recessed and fully recessed versions
- 1080 or 1400 lumens per head
- 90 LPW typical
- Flood and Wide Flood
- Three vibrant color temperatures for any application (2700K, 3000K, 3500K)
- 80 and 90 CRI options
- White or black powder coat finish
- Long life (L70 at 50,000 hours) minimizes the need for maintenance
- 5 year limited warranty

LED Technology

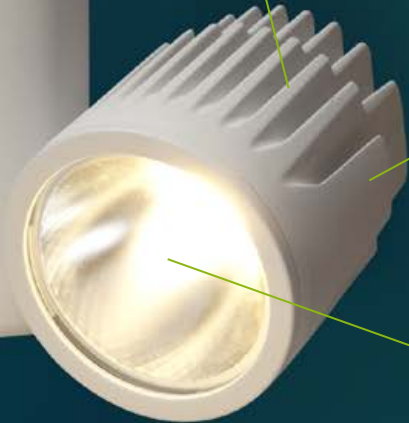
- Energy Efficient (90 Lumens per Watt)
- Long Life (50,000 hrs.) minimizes need for maintenance
- High Beam Intensity (16,000 CBCP Spot)

The GE Difference

Building on a reputation for quality and excellence that dates back to Edison's first electric light bulb, GE brings an unsurpassed depth and breadth of expertise to every product. Our commitment to providing the greatest value in high technologically solutions is stronger than ever. We deliver innovative options backed by the international reputation of our 130-plus years in the business.



Track Head incorporates unique, architectural cooling fins that seem to disappear into the background as you move around the fixture



Die-cast and precision machined housing with textured powder coat finish enhance robustness

Designed for punchy centers with plenty of spill light to deliver lighting coverage and contrast while minimizing the number of fixtures needed



Single driver per fixture saves time and money servicing the power supplies. A unique removable floor plate makes accessing the driver from below the ceiling a snap

Signature GE "Visual Comfort" lens reduces glare while providing exceptional beam quality

High-efficiency LEDs and exceptional thermal management produce unexpectedly high light levels in a compact size



Lumination™ LED Luminaires

TS Series



Product Description:

GE Lumination™ TS Series LED Track Lights and TS Recessed Multiples bring the reliability, performance, and innovation that you've come to expect from GE into the accent lighting market. Each configuration in the TS family of track lights and recessed multiples has been carefully designed for optimal performance and longevity. With several lumen level, color temperature, and beam distribution options, there's a TS series fixture that's right for just about any application.

Performance Summary:

All performance claims are at 80 CRI, 3000K

Track Lights/Flood Version:

- 1750 lumen – 19.5 W
- 1300 lumen – 15 W
- 890 lumen – 10.3 W
- Flood (25°) and Wide Flood (35°) beam options

Track Lights/Spot Version:

- 1250 lumen – 20.6W
- 14° beam
- 16,000 CBCP

reveal® Whiter White™ (WW) Version:

- 900 lumen - 19.5 W
- Spot (18°) and Flood (25°) beam options

Efficacy: 90 LPW Typical (flood version), 56 LPW Typical (spot version)
46 LPW Typical (Whiter White)

Input Voltage: 120V

CCT: 2700K/3000K/3500K (excludes Whiter White)

Typical CRI: 80 and 90 CRI options, 95 CRI (Whiter White)

Standard Dimming Controls: Non-dimming

Lifetime Rating: L70 @ 50,000 hours

Limited Warranty: 5 Years

Performance Summary:

Recessed Multiples: 2-Head, 2-Head Trimless, 3-Head, 3-Head Trimless

Distribution Patterns: Spot, Flood, Wide Flood

Input Voltage: 120-277V

Standard Dimming Controls: 0-10V to 10%

CCT: 2700K, 3000K, 3500K


CRI: 80 and 90 CRI options

Color Consistency: 4 Step MacAdam Ellipse

Lifetime Rating: L70 @ 50,000 Hours

Mounting Options: Hanger bars for grid or drywall ceilings

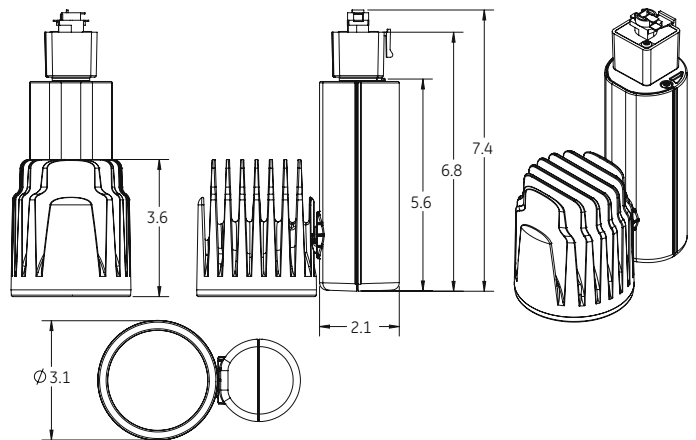
Limited Warranty: 5 years system

Certified by:  US

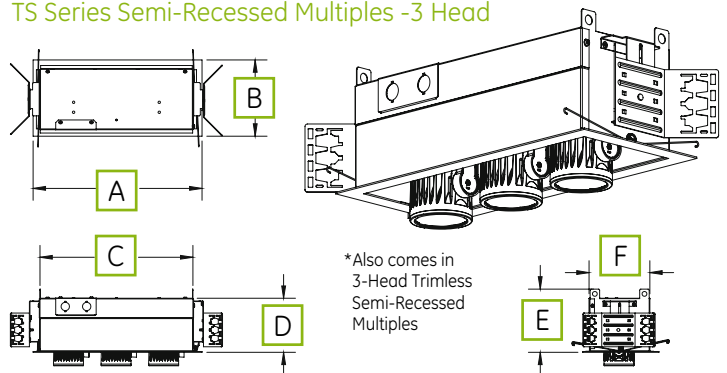
a product of
ecomagination™

Product Dimensions:

TS Series LED Track Lights



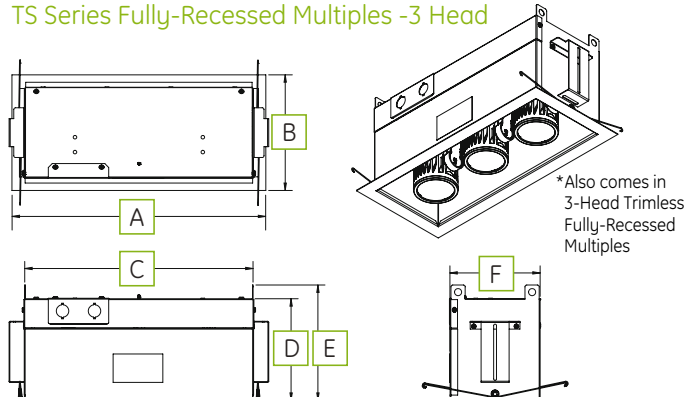
TS Series Semi-Recessed Multiples - 3 Head



A = 17.75" (450.85mm) B = 8.02" (203.71mm) C = 16.07" (408.18mm)
D = 5.67" (144.02mm) E = 6.64" (168.66mm) F = 6.39" (162.31mm)

*Also comes in 2-Head Trim and Trimless Semi-Recessed Multiples

TS Series Fully-Recessed Multiples - 3 Head



A = 17.87" (453.90mm) B = 8.14" (206.76mm) C = 16.07" (408.18mm)
D = 7.15" (181.61mm) E = 8.11" (205.99mm) F = 6.35" (161.29mm)

*Also comes in 2-Head Trim and Trimless Fully-Recessed Multiples



www.gelighting.com

GE and the GE Monogram are trademarks of the General Electric Company. All other trademarks are the property of their respective owners. Information provided is subject to change without notice. All values are design or typical values when measured under laboratory conditions. GE Lighting is a business of the General Electric Company.
© 2016 GE.

IND134 (Rev 06/01/16)