

Driver Replacement

For Backlit Recessed Troffer Luminaires



BEFORE YOU BEGIN

Read these instructions completely and carefully.

WARNING/AVERTISSEMENT

RISK OF ELECTRIC SHOCK

- Turn power off before inspection, installation or removal.
- Properly ground electrical enclosure.

RISK OF FIRE

- Follow all NEC and local codes.
- Use only UL approved wire for input/output connections. Minimum size 18 AWG (0.75mm²).

RISQUES DE DÉCHARGES ÉLECTRIQUES

- Coupez l'alimentation avant d'inspecter, installer ou déplacer le luminaire.
- Assurez-vous de correctement mettre à la terre le boîtier d'alimentation électrique.

RISQUES D'INCENDIE

- Respectez tous les codes NEC et codes locaux.
- N'utilisez que des fils approuvés par UL pour les entrées/sorties de connexion. Taille minimum 18 AWG (0.75mm²).

Save These Instructions

Use only in the manner intended by the manufacturer. If you have any questions, contact the manufacturer.

Components Supplied

- Driver of luminaire

Tools and Components Required

- T15 torx screwdriver
- UL listed conduit connections per NEC/CEC for nominal conduit trades sizes 1/2" or 3/4"
- UL recognized wire connectors

Prepare Electrical Wiring



Electrical Requirements

- The LED driver must be supplied with 120-277 VAC or 347VAC, 50/60 Hz and connected to an individual properly grounded branch circuit, protected by a 20 ampere circuit breaker. Use min. 75°C supply conductor.



Grounding Instructions

- The grounding and bonding of the overall system shall be done in accordance with National Electric Code (NEC) Article 600 and local codes.

Specifications

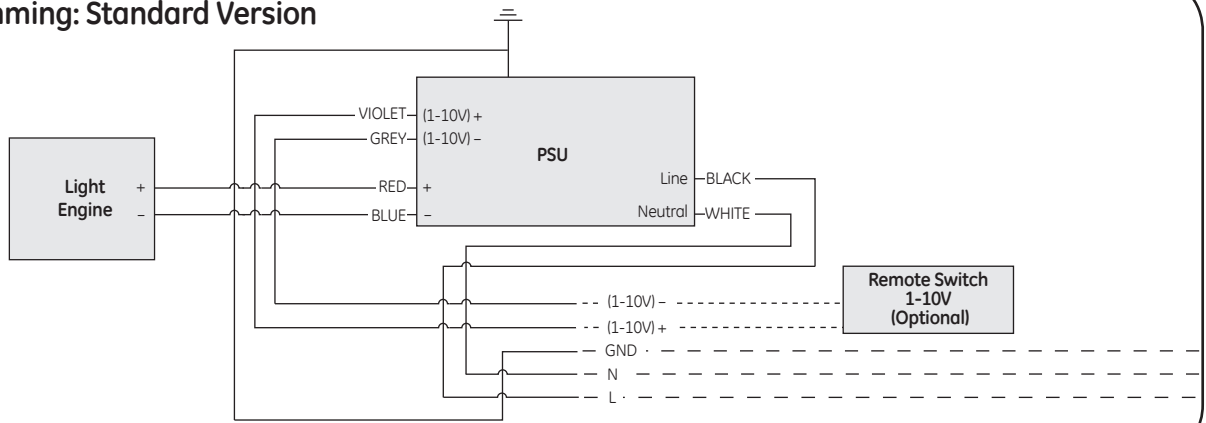
Description Code	Corresponding Luminaires
Backlit Troffer 22 and 14 driver (1-10V dimming)	Backlit Troffer 22 and 14 Series
Backlit Troffer 24 driver (1-10V dimming)	Backlit Troffer 24 Series



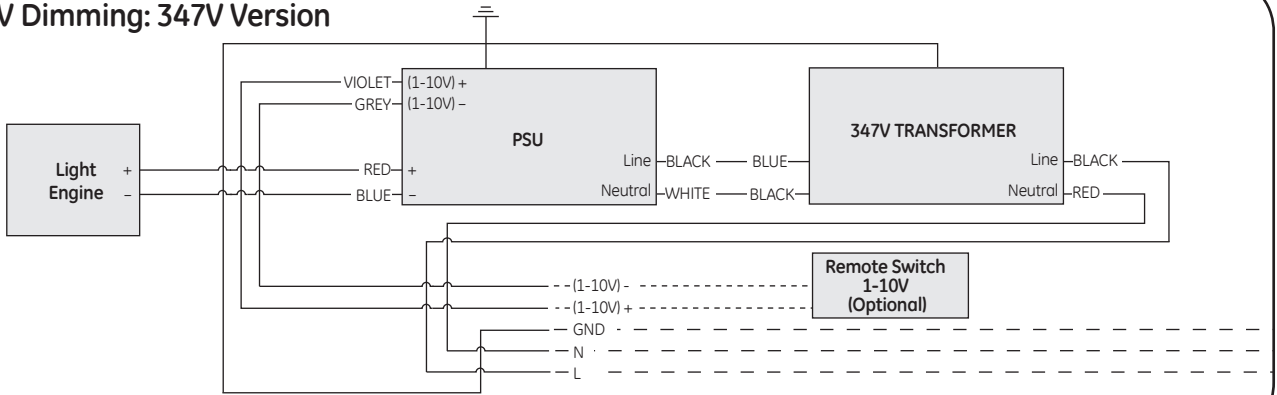
imagination at work

Wiring Diagrams

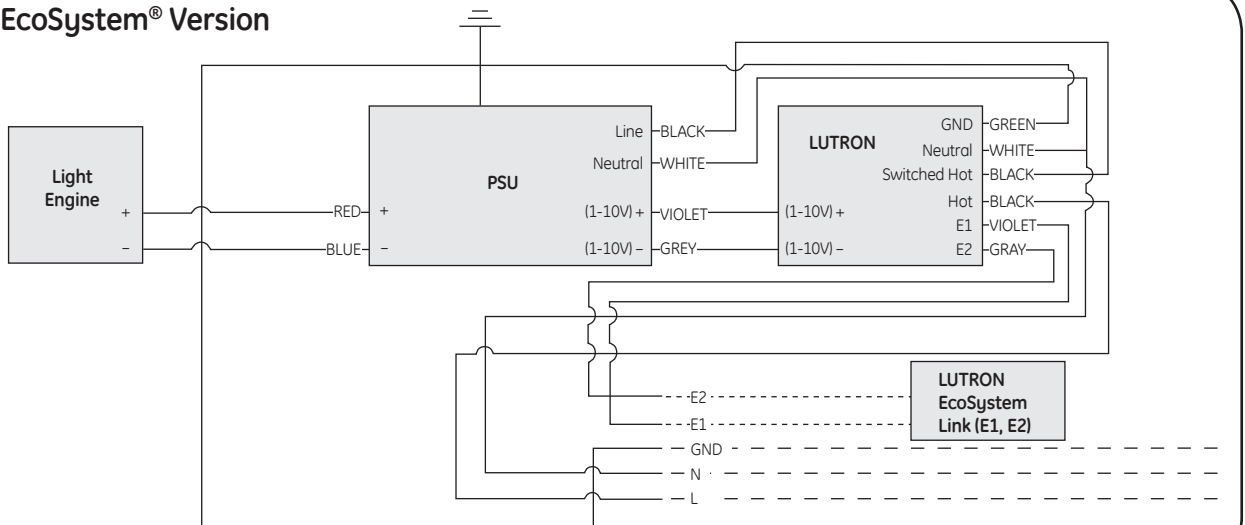
1-10V Dimming: Standard Version



1-10V Dimming: 347V Version

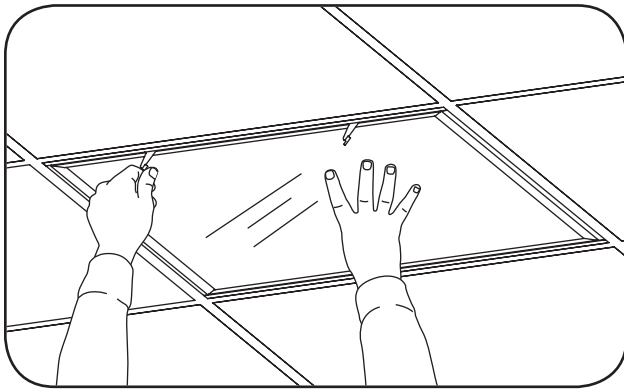


Lutron EcoSystem® Version

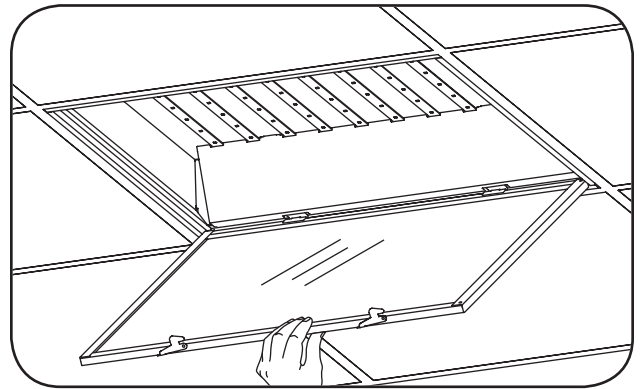


Driver Replacement Steps

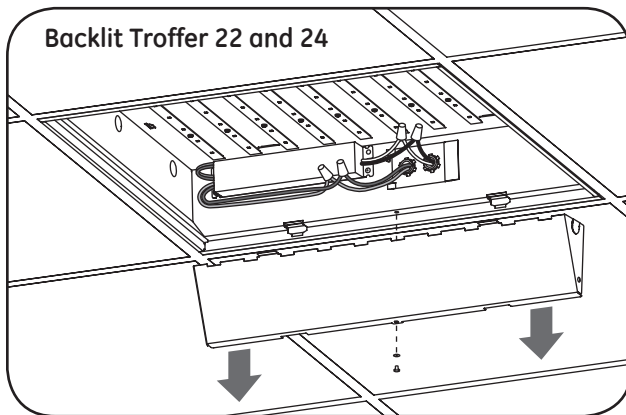
NOTE: The following steps depict the 22 Series luminaire. However, the procedure is the same for the 14 and 24 Series fixtures.



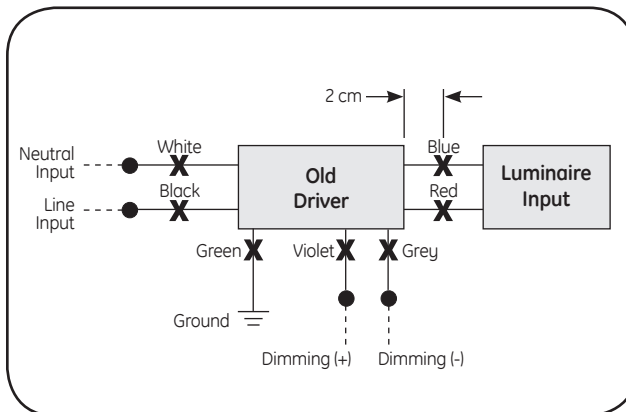
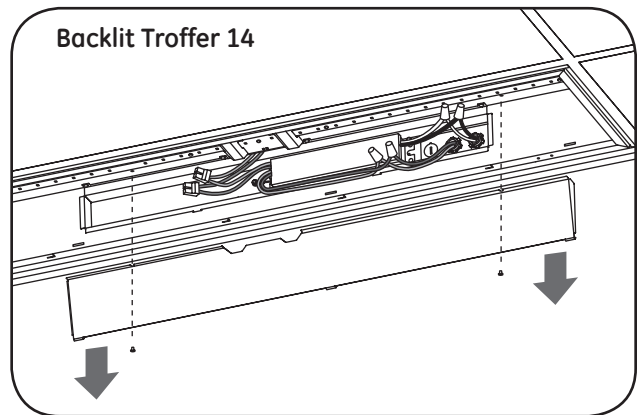
1 Rotate latches to unlock the front bezel.



2 Swing down panel and lift off front bezel.

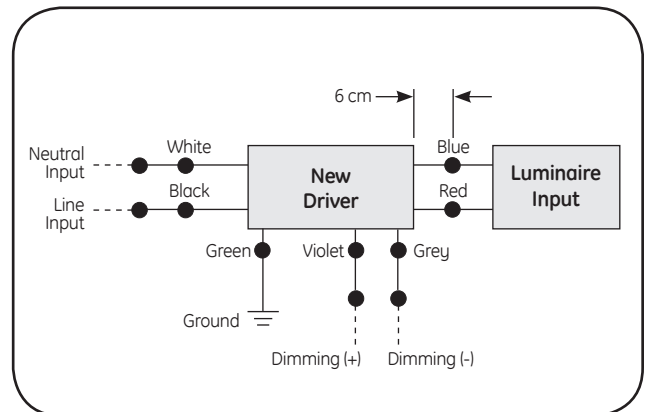


3 For Backlit Troffer 22 and 24: unfasten the screw(s) holding the driver cover and remove it.
For Backlit Troffer 14: unfasten the screws near the LED bar and remove the cover.



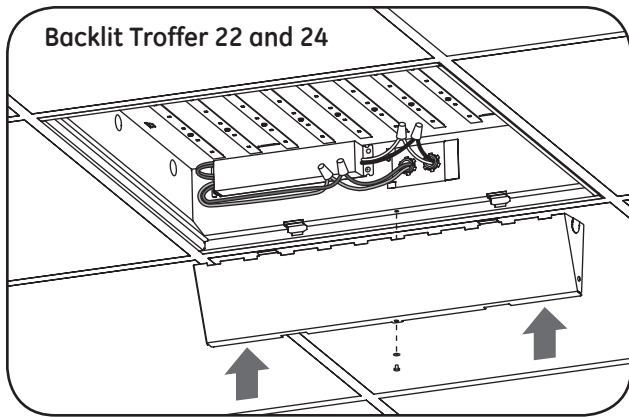
4 First, disconnect the driver from the luminaire by cutting the wires at the distance of 2 cm (0.75 in.) from the old driver. Then, unscrew the screws and star washers which attach the driver to the luminaire and remove the old driver.

NOTE: Keep the screws and star washers for later use.

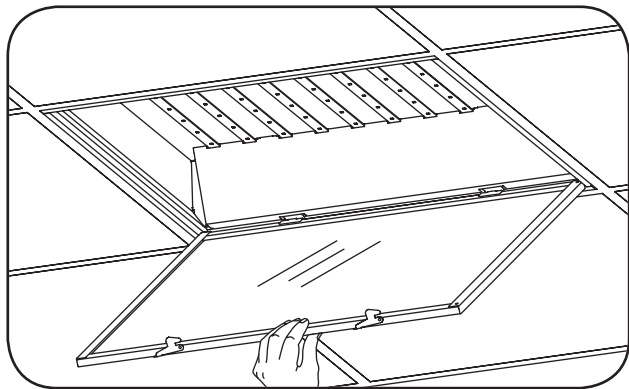
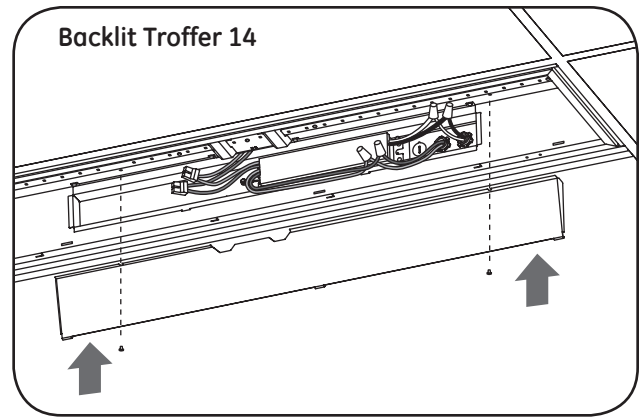


5 The length of wires from the new driver should be no less than 6 cm (2.36 in.). Reattach the new driver in the same location as the old driver using star washers and screws. Strip off 10 mm (0.4 in.) from all wires and reconnect the new driver to the luminaire with UL-certified connectors. Wires with the same color should be connected together.

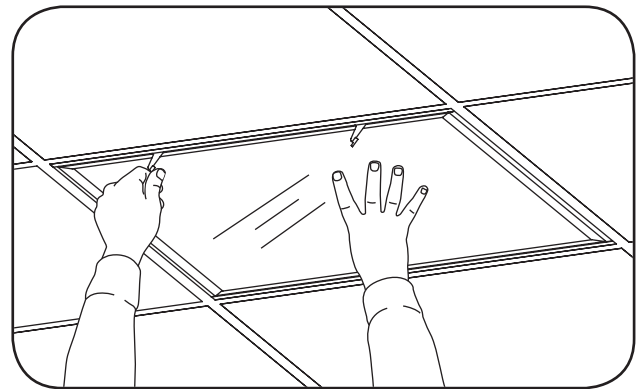
NOTE: Steps 4 and 5 depict the standard version. For 347V version and Lutron EcoSystem version please see page 2 for wiring diagrams.



6 Reattach the driver cover with screw(s).



7 Hang panel on its hinges and swing up into place.



8 Rotate latches to lock the front bezel.

This device complies with Part 15 of the FCC Rules. Operation is subject to the following two conditions: (1) This device may not cause harmful interference, and (2) this device must accept any interference received, including interference that may cause undesired operation. This Class [A] RFLD complies with the Canadian standard ICES-003. Ce DEFR de la classe [A] est conforme à la NMB-003 du Canada.

Note: This equipment has been tested and found to comply with the limits for a Class A digital device, pursuant to part 15 of the FCC Rules. These limits are designed to provide reasonable protection against harmful interference when the equipment is operated in a commercial environment. This equipment generates, uses, and can radiate radio frequency energy and, if not installed and used in accordance with the instruction manual, may cause harmful interference to radio communications. Operation of this equipment in a residential area is likely to cause harmful interference in which case the user will be required to correct the interference at his own expense.



GE Lighting • 1-888-MY-GE-LED (1-888-69-43-533) • www.gelighting.com

GE Lighting Solutions, LLC is a subsidiary of the General Electric Company. The GE brand and logo are trademarks of the General Electric Company.
© 2014 GE Lighting Solutions, LLC. Information provided is subject to change without notice. All values are design or typical values when measured under laboratory conditions.

IND125-081414