

# Lumination™ LED Luminaires

(EL Option - Emergency Light Supplement)



## BEFORE YOU BEGIN

Read these instructions completely and carefully.

Read and follow appropriate Lumination LED Luminaire Installation Guide for fixture installation.

## IMPORTANT SAFEGUARDS

WHEN USING ELECTRICAL EQUIPMENT, BASIC SAFETY PRECAUTIONS SHOULD ALWAYS BE FOLLOWED INCLUDING THE FOLLOWING:

### READ AND FOLLOW ALL SAFETY INSTRUCTIONS

1. Turn power off before inspection, installation or removal.
2. To reduce the risk of electric shock, disconnect both normal and emergency power suppliers and converter connector of the emergency driver before servicing.
3. The emergency driver must be fed from the same branch circuit as the AC driver.
4. Do not attempt to service the battery. A sealed, no-maintenance battery is used that is not field replaceable. Contact the manufacturer for information on service.
5. Follow all NEC and local codes. Properly ground electrical enclosure.
6. Use only UL listed wire for input/output connections. Minimum size 18 AWG (0.75mm<sup>2</sup>).
7. Equipment should be mounted in locations and at heights where it will not readily be subjected to tampering by unauthorized personnel.
8. Do not use outdoors.
9. Do not mount near gas or electric heaters.
10. Do not use this equipment for other than intended use.
11. The use of accessory equipment not recommended by the manufacturer may cause an unsafe condition.

### SAVE THESE INSTRUCTIONS

#### Ni-Cd Battery

The rechargeable Nickel-Cadmium battery in this product must be recycled or disposed of properly.

**This equipment is not self-testing in conformance  
with the Life Safety Code, ANSI/NFPA 101**



imagination at work



## AVANT DE COMMENCER

Lire attentivement les instructions.

Lire et suivre la procédure d'installation propre au luminaire à DEL Lumination.

# CONSIGNES IMPORTANTES DE SÉCURITÉ

Lors de l'utilisation d'appareils électriques, des précautions de sécurité élémentaires doivent être suivies, notamment:

## Lire et suivre toutes les instructions de sécurité

1. Couper l'alimentation avant l'inspection, l'installation ou la mise au rencart.
2. Afin de réduire le risque d'électrocution, débrancher les tensions de secteur et d'urgence, ainsi que le connecteur de l'alimentation d'urgence.
3. L'alimentation d'urgence doit être alimentée par le même circuit que l'alimentation principale.
4. Ne pas tenter de réparer ou remplacer la batterie. La batterie fournie est scellée, non-réparable et ne doit pas être remplacée par l'utilisateur. Contactez le fabricant pour toute information concernant le remplacement de la batterie.
5. Suivre les codes électriques en vigueur dans votre région. L'enceinte électrique doit être mise à la terre correctement.
6. N'utilisez que des fils reconnus par UL / ACNOR pour les connexions d'entrée / sortie. La section minimale des fils doit être 0.75 mm<sup>2</sup> (calibre 18 AWG).
7. Cet appareil doit être installé dans un endroit et à une hauteur ne permettant pas sa manipulation par des personnes non-autorisées.
8. Ne pas utiliser à l'extérieur.
9. Ne pas installer à proximité d'appareils de chauffage électriques ou à gaz.
10. Ne pas utiliser cet appareil hors de son usage désigné.
11. L'utilisation d'accessoires non recommandés par le fabricant peut causer des conditions non sécuritaires.

## Conservez ces instructions

### Batterie Ni-Cd

La batterie rechargeable nickel-cadmium de ce produit doit être recyclée ou mise au rencart de façon adéquate.

**Cet appareil n'effectue pas d'auto diagnostic, en conformité avec le code de la sécurité des personnes (ANSI/NFPA 101)**

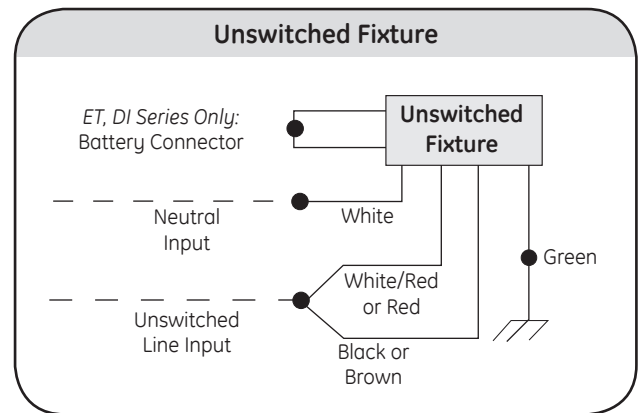
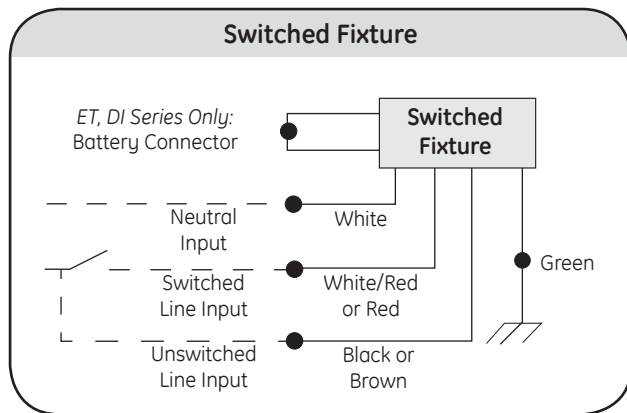
# Luminaire Installation Electrical Connections

Follow appropriate Lumination LED Luminaire Installation Instructions to install the fixture. Take standard precautions against static discharge during fixture installation.

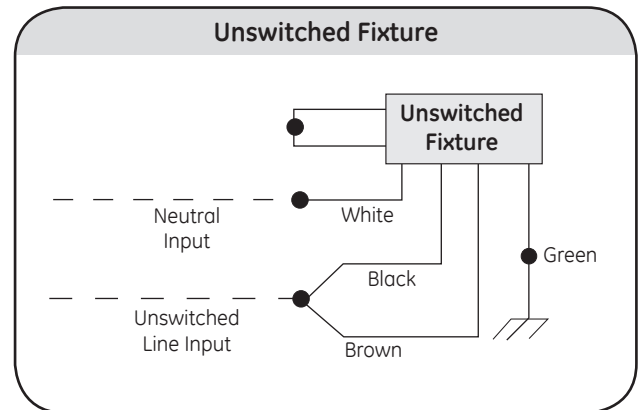
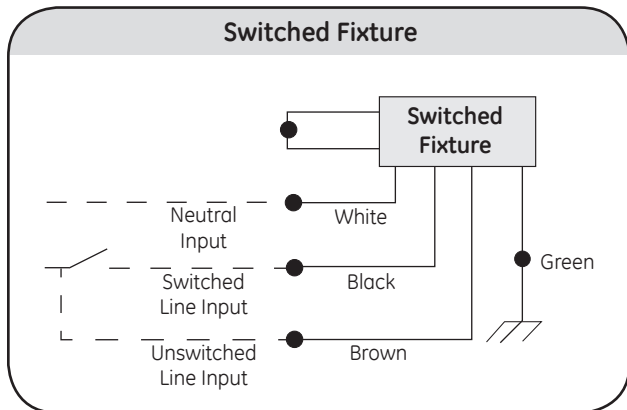
**Important:** EL Emergency Light Option fixture has increased weight. Ensure proper support means are used.

**Note:** As received from the manufacturer, the luminaire may be partially energized.

- 1 Follow Electrical Connections instructions from appropriate Lumination LED Luminaire Installation Guide to remove the electrical enclosure cover and remove the knockout. Use listed fittings for wire protection.



For DS and SS series and LIS with E2 EMBB option only:



- 2 Using listed 18-14 AWG twist-on wire connectors, connect the black or brown (unswitched line), white/red or red (switched line), and white (neutral) input wires according to the diagram. Connect the ground wire to the green grounding screw or green grounding wire as provided. For ET and DI Series luminaires, enable the battery using the provided connector.

**Important:** Make sure the necessary branch circuit wiring is available. An unswitched source of power is required. The emergency driver must be fed from the same branch circuit as the AC driver.

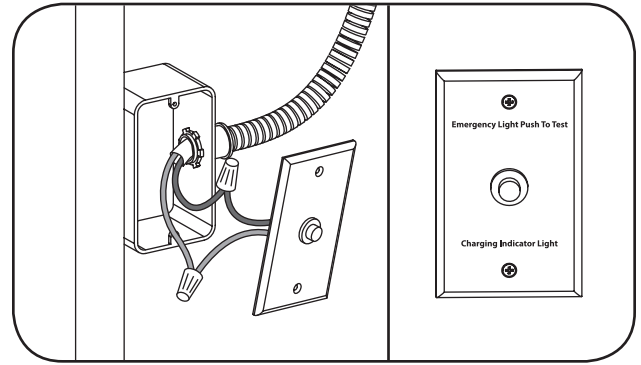
- 3 Follow instructions from appropriate Lumination LED Luminaire Installation Guide to replace electrical enclosure.

## For Fixtures with a Remote Test Switch: Indicator Test Switch Installation

- 1 Important:** Fixtures without an integral indicator test switch must be installed with a factory-provided remote mount indicator test switch (ITS). Follow National Electrical Code (NEC) and local code regulations when installing the ITS.
- 2** Choose a suitable location in a wall or the ceiling for the ITS. Maximum remote mounting distance for the ITS is 50 feet. Install a UL listed single-gang electrical box.
- 3** Using UL listed wire, minimum size 18 AWG, minimum 75°C rating, and UL listed electrical conduit, connect the leads on the ITS. Provide enough wire to reach the lighting fixture electrical enclosure. Use 18-14AWG twist-on wire connectors.

**Recommended:** use one violet and one brown wire to match the leads on the ITS.

- 4** Remove one knockout from the single-gang electrical box. Using UL listed conduit, run wire from the ITS to the lighting fixture electrical enclosure.
- 5** Close the single-gang electrical box using the factory-provided wall plate cover and hardware.



## Optional Installation: Dimming or Control Interface

Follow instructions from appropriate Lumination LED Luminaire Installation Instructions to install optional control interfaces.

**Note:** The fixture will not be controllable during emergency operation.

## Emergency Lighting Fixture Operation

The emergency driver is capable of operating the LED load for a minimum of 90 minutes. The emergency driver battery recharge time is 24 hours. After installation, the battery should be allowed to charge.

This emergency lighting fixture should be tested regularly according to national and local code requirements. To test the emergency driver, remove AC power or press and hold the indicator test switch. Take standard precautions against static discharge while operating indicator test switch.



GE Lighting • 1-888-MY-GE-LED (1-888-69-43-533) • [www.gelighting.com](http://www.gelighting.com)

GE Lighting Solutions, LLC is a subsidiary of the General Electric Company. The GE brand, logo, and Lumination are trademarks of the General Electric Company.  
© 2015 GE Lighting Solutions, LLC. Information provided is subject to change without notice. All values are design or typical values when measured under laboratory conditions.

IND102-092915