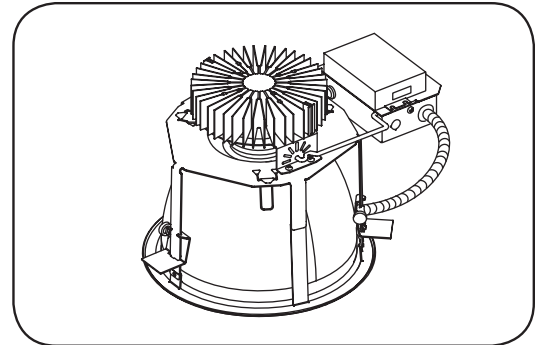


Lumination™ LED Luminaire

(RI Series)



BEFORE YOU BEGIN

Read these instructions completely and carefully.

⚠ WARNING/AVERTISSEMENT

RISK OF FIRE OR ELECTRIC SHOCK

- Turn power off before inspection, installation or removal.
- Properly ground electrical enclosure.
- Follow all NEC and local codes.
- Use only UL approved wire for input/output connections. Minimum size 18 AWG or 14 AWG for continuous runs.
- Install this kit only in the luminaires that has the construction features and dimensions shown in the photographs and/or drawings.
- Do not alter, relocate, or remove wiring, lampholders, power supply, or another electrical component.
- Installation of this retrofit assembly requires a person familiar with the construction and operation of the luminaire's electrical system and the hazard involved. If not qualified, do not attempt installation. Contact a qualified electrician.
- To prevent wiring damage or abrasion, do not expose wiring to edges of sheet metal or other sharp objects.

RISQUES D'INCENDIE OU DE DÉCHARGES ÉLECTRIQUES

- Coupez l'alimentation avant d'inspecter, installer ou déplacer le luminaire.
- Assurez-vous de correctement mettre à la terre le boîtier d'alimentation électrique.
- Respectez tous les codes NEC et codes locaux.
- N'utilisez que des fils approuvés par UL pour les entrées/sorties de connexion. Taille minimum 18 AWG ou 14 AWG pour les rangées continues.
- Risques d'incendie ou choc L'installation de trousse de mise à niveau au DEL nécessite des connaissances des systèmes électriques d'éclairage.
- Risque d'incendie ou d'électrocution. N'installez cette trousse que sur des luminaires qui ont les caractéristiques de construction et les dimensions telles que montrées sur les photographies et dessins présentés.
- Ne pas percer ou altérer les trous d'un boîtier contenant fil ou composant électrique durant l'installation.
- Pour prévenir les dommages ou l'abrasion de fils électriques, ne pas exposer les fils aux arêtes de pièce de tôlerie ou n'importe quels autres objets tranchant.

Save These Instructions

Use only in the manner intended by the manufacturer. If you have any questions, contact the manufacturer.

The retrofit kit is accepted as a component of a luminaire where the suitability of the combination shall be determined by CSA or authorities having jurisdiction.

Do not make or alter any open holes in an enclosure of wiring or electrical components during kit installation.

Through Wiring for 15A Circuit

Lumen Level	Maximum number of fixtures
1000, 1500, 2000 lumen	30
3000, 4000 lumen	20



imagination at work

Prepare Electrical Wiring



Electrical Requirements

The LED driver must be supplied with 120-277 VAC, 50/60 Hz and connected to an individual properly grounded branch circuit, protected by a 20 ampere circuit breaker. Use min. 75°C supply conductor.

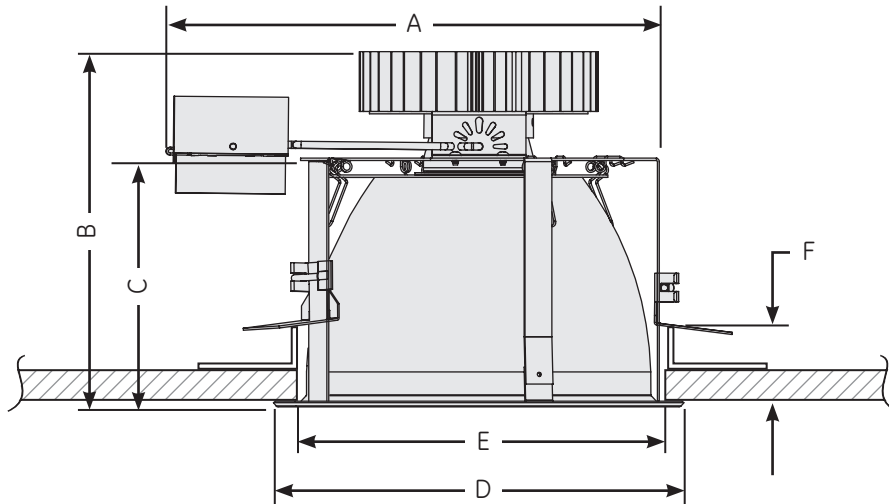
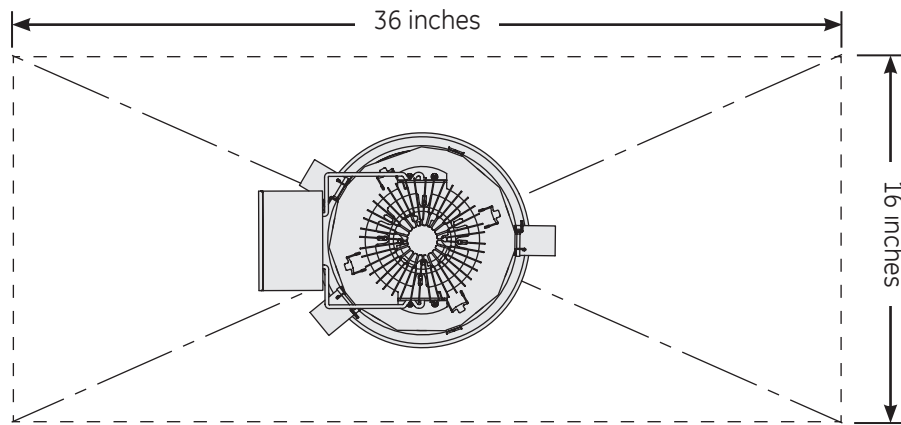


Grounding Instructions

The grounding and bonding of the overall system shall be done in accordance with National Electric Code (NEC) Article 600 and local codes.

Fixture Requirements

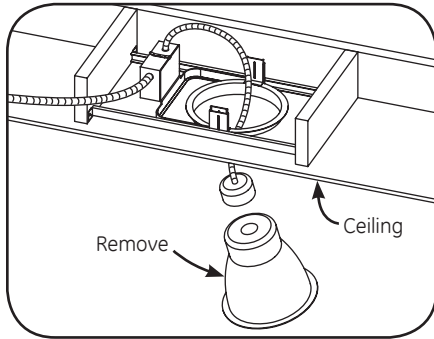
- Per the NEC, this fixture is non-plenum rated for use in ducts specifically fabricated for environmental air. It is suitable for use above the ceiling in open spaces used for environmental air.
- 35°C maximum cavity temperature during lamp operation.
- Thermal protection feature present in module that protects LEDs from overheating in abnormal conditions.
- Spacing requirements for fixture: each individual fixture needs to have 576 square inches of space before any object/obstruction.



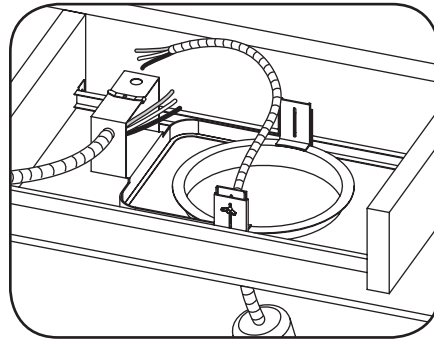
Parameter	Frame Size		
	6"	8"	10"
A Width of Frame with Swing Arm Extended	10.34"	12.51"	13.55"
B Height from Bottom of Reflector to Top of Heat Sink	5.92" Low Lumen	8.37" High Lumen 7.39" Low Lumen	9.32" High Lumen 8.34" Low Lumen
C Height from Bottom of Reflector to Top of Frame	3.91"	5.57"	6.52"
D Reflector Diameter	7.40"	8.80"	10.80"
E Cut-Out Dimension for Ceiling	6.45" - 7.125" 7.125" - 7.88" (w/Goof Ring)	7.88" - 8.50" 8.5" - 9.75" (w/Goof Ring)	9.75" - 10.50" 10.50" - 12.50" (w/Goof Ring)
F Maximum Ceiling and Rough-in Kit Thickness	1.625"	3.00"	4.25"

Installation

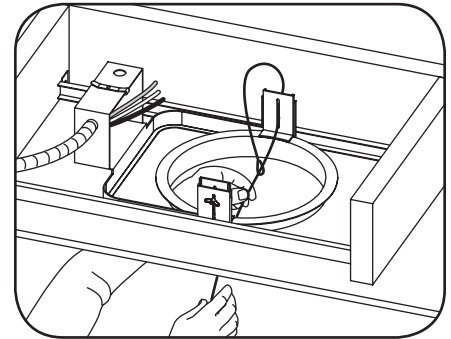
- 1 Shut off power to the lighting system.



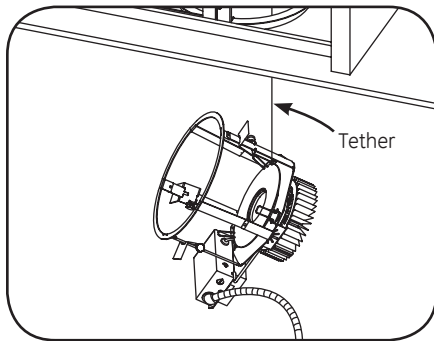
- 2 Remove existing lamp and reflector.



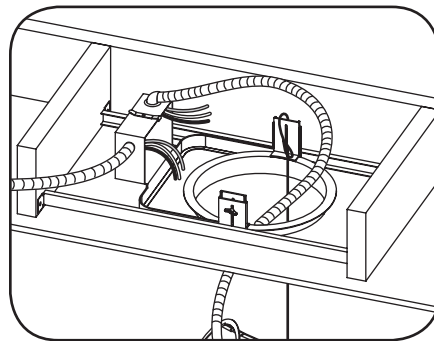
- 3 Disconnect wiring. Remove old components, such as lamp sockets, ballasts, etc. while retaining existing rough-in kit components.



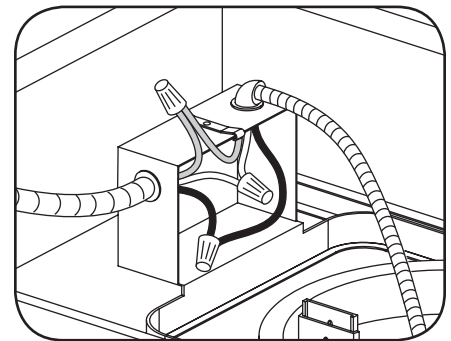
- 4 Loop one end of the tether to existing rough-in kit.



- 5 Attach other end of the tether to fixture housing and let hang.

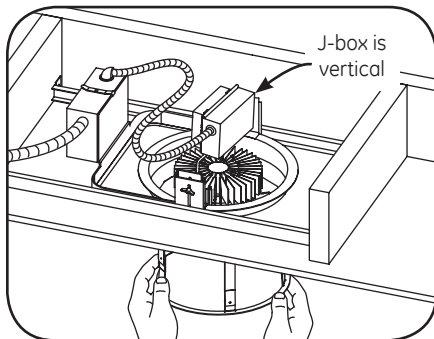


- 6 Connect flex cable from fixture to junction box.

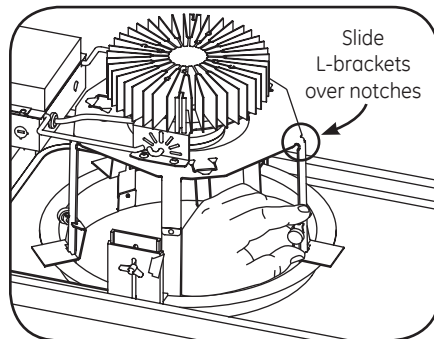


- 7 Connect the black, white and green wires of the AC line to the black, white and green wires of the fixture using twist-on wire connectors. Close junction box.

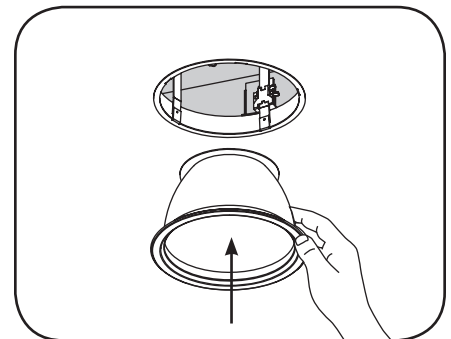
NOTE: See wiring diagram below if connecting an optional dimming line.



- 8 Orient J-box vertically and slide fixture housing (without reflector) into existing rough-in kit. Then rotate J-box horizontally.



- 9 Slide the L-brackets to the top of each leg and ensure the bracket slot channel is engaged by pushing the bracket through the notches. Slide each bracket down to engage existing rough-in kit and tighten thumb screws.

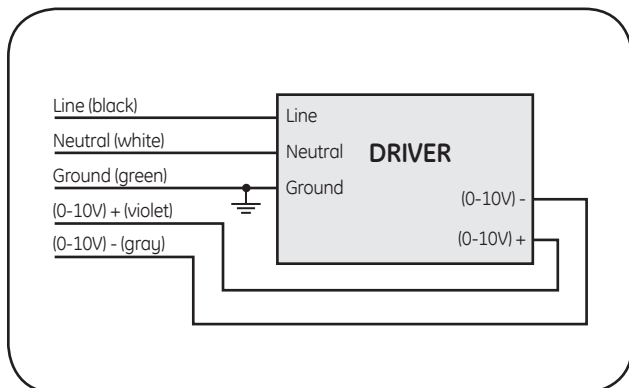


- 10 Snap in reflector.

- 11 Restore power to the lighting system.

Optional Installation: 0-10 Volt Dimming Lighting Controller

At output side of LED driver, make appropriate connections using twist-on wire connectors. Follow lighting controller installation instructions.



0-10V wiring diagram

This device complies with Part 15 of the FCC Rules. Operation is subject to the following two conditions: (1) This device may not cause harmful interference, and (2) this device must accept any interference received, including interference that may cause undesired operation. This Class [A] RFLD complies with the Canadian standard ICES-003. Ce DEFR de la classe [A] est conforme á la NMB-003 du Canada.

Note: This equipment has been tested and found to comply with the limits for a Class A digital device, pursuant to part 15 of the FCC Rules. These limits are designed to provide reasonable protection against harmful interference when the equipment is operated in a commercial environment. This equipment generates, uses, and can radiate radio frequency energy and, if not installed and used in accordance with the instruction manual, may cause harmful interference to radio communications. Operation of this equipment in a residential area is likely to cause harmful interference in which case the user will be required to correct the interference at his own expense.



GE Lighting • 1-888-MY-GE-LED (1-888-69-43-533) • www.gelighting.com

GE Lighting Solutions, LLC is a subsidiary of the General Electric Company. The GE brand, logo, and Luminations are trademarks of the General Electric Company.
© 2015 GE Lighting Solutions, LLC. Information provided is subject to change without notice. All values are design or typical values when measured under laboratory conditions.