

Lumination™ LED Luminaires

Downlights Powered by Infusion™
RI6 - 6" Round Aperture



Project name _____

Date _____

Type _____

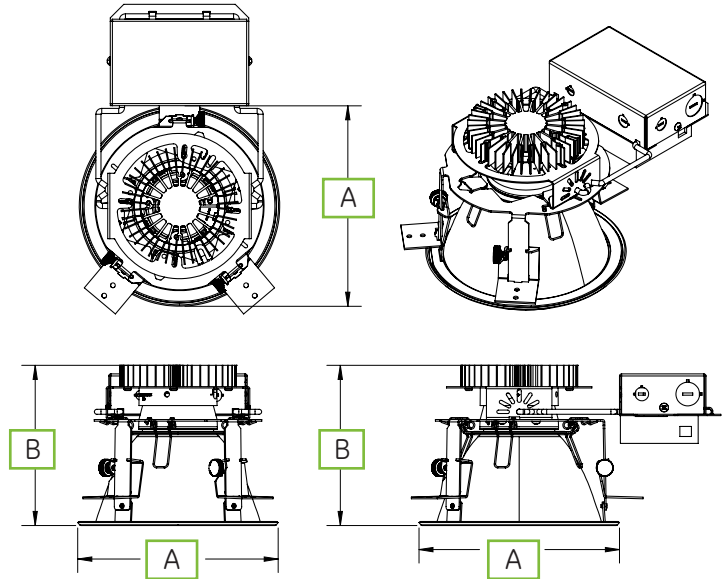
Product Description:

Convert any commercial or industrial downlight to LED with the new Lumination RI Series retrofit LED downlight. Powered by the Infusion LED downlight module, the RI series delivers exceptional efficacy and 90+ CRI with high R9 across all lumen packages and color temperatures. Custom engineered, spec-grade optical system provide an exceptional aesthetic with 45° cutoff and no glare. Tool-free installation from below the ceiling in just minutes. 50,000 hour life virtually eliminates maintenance costs.

Targeted Performance Summary:

Distribution Patterns: Wide
Input Voltage: 120V, 277V
Standard Dimming Controls: 0-10V to 10%
CCT: 2700K, 3000K, 3500K, 4000K
CRI: 90
Color Consistency: 4 Step MacAdam Ellipse
Lifetime Rating: L85 @ 50,000 hours
Input Frequency (Hz): 60Hz
Power Factor: >0.9
Mounting Options: Universal mounting frame secures to existing rough-in kit
Weight: 6 lb
IC Rating: Non-IC Rated
Temperature Rating: 35C max cavity temperature
Limited Warranty: 5 years system
Files Available: LM79, LM80, IES

Product Dimensions: RI6 (1000, 1500, 2000 lm)



A = 7.42 B = 5.93

Nominal Module Lumens	1000	1500	2000
Fixture Lumens	880	1300	1760
System Input Power	14	19.5	26
System Efficacy (LPW)	63	67	70

Performance claims are for 120V, clear, specular reflectors.
Other reflector finishes and colors will have an effect on performance.

Listings:

• Suitable for damp locations.

a product of
ecomagination™

Ordering Information: For shortest lead time and lowest price, order **standard reflector options shown in bold**.

RI6

HOUSING	MODULE LUMENS	CCT	BEAM SPREAD	REFLECTOR FINISH	REFLECTOR COLOR	FLANGE	VOLTAGE ⁴
RI6 = Retrofit Downlight, Infusion, 6" Round	10 = 1000 LM	27 = 2700K	M = Medium	RM = Semi-specular	CL = Clear	FM = Match Reflector	1 = 120V, 0-10V dimming 2 = 277V, 0-10V dimming ¹ P = Forward Phase dimming driver 3 = Lutron EcoSystem, 120V 4 = Lutron EcoSystem, 277V
	15 = 1500 LM	30 = 3000K	W = Wide	RD = Diffused	CB² = Black	FW = White Paint	
	20 = 2000 LM	35 = 3500K	WW⁶ = Wall Wash	RS = Specular	CK² = Gold	CP² = Pewter	
		40 = 4000K		RP¹ = Painted	CT² = Wheat		
					CW = White Paint		

Ordering Notes:

- Use with CW = White reflector color only.
- Reflector colors (other than white paint) available with RM = Semi-specular reflector finish only.
- See back page of spec sheet for goof ring dimensional info.
- 277V input, 1000 lumen version is not Energy Star certified.
- Wall Wash (6" RD finish only)

ACCESSORIES	DESCRIPTION CODE	PRODUCT CODE
347V Field Installed Transformer Kit	TR347/120-75VA	83264
6" Goof Ring, Specular Finish	RIGR6RS ³	76463
6" Goof Ring, Semi-Spec Finish	GRRRC6RS DCL	93018828
6" Goof Ring, Diffused Finish	RIGR6RD ³	78609
6" Goof Ring, White Painted	GRRRC6RPTWT	93018829



Photometric Data: Lumination™ RI6 Series Downlights

Wide Distribution

Performance claims are for clear specular reflectors. Other reflector finishes and colors will have an effect on performance.

COEFFICIENTS OF UTILIZATION																					
RC	80%				70%				50%				30%				10%				0%
RW	70%	50%	30%	10%	70%	50%	30%	10%	50%	30%	10%	50%	30%	10%	50%	30%	10%	0%			
0	119	119	119	119	116	116	116	116	111	111	111	106	106	106	102	102	102	100			
1	114	111	109	107	111	109	107	105	105	103	102	101	100	99	98	97	96	94			
2	108	104	100	97	106	102	99	96	99	96	93	96	94	91	93	91	90	88			
3	103	97	92	89	101	96	91	88	93	89	86	91	88	85	89	86	84	82			
4	98	91	86	82	97	90	85	81	88	84	80	86	82	79	84	81	78	77			
5	94	86	80	76	92	85	79	76	83	78	75	81	77	74	80	76	74	72			
6	89	81	75	71	88	80	74	71	78	74	70	77	73	70	76	72	69	68			
7	85	76	70	66	84	75	70	66	74	69	66	73	69	65	72	68	65	64			
8	81	72	66	62	80	71	66	62	70	65	62	69	65	62	68	64	61	60			
9	77	68	62	59	76	68	62	59	67	62	58	66	61	58	65	61	58	57			
10	74	65	59	55	73	64	59	55	63	58	55	63	58	55	62	58	55	54			

NOTE: Floor Cavity Reflectance : 20%

CANDLEPOWER SUMMARY

Angle	NOMINAL MODULE LUMENS		
	1000	1500	2000
0	1190	1757	2379
5	1132	1672	2264
10	1037	1532	2075
15	976	1441	1951
20	860	1270	1720
25	667	985	1333
30	486	718	972
35	296	437	591
40	123	182	246
45	47	69	94
50	12	18	25
55	3	4	6
60	2	3	4

ZONAL LUMEN SUMMARY

Zone	NOMINAL MODULE LUMENS			
	1000	1500	2000	% of Fixture
0 - 30°	667	1044	1381	75.9
0 - 40°	838	1295	1713	95.3
0 - 60°	877	1351	1788	99.7
0 - 90°	880	1353	1791	100

CONE OF LIGHT

Height	NOMINAL MODULE LUMENS			
	1000	1500	2000	Dia. (ft.)
6'	33	49	66	6.0
8'	19	27	37	8.0
10'	12	18	24	10.0
12'	8	12	17	12.0
14'	6	9	12	14.0
16'	5	7	9	16.0
18'	4	5	7	17.9
20'	3	4	6	19.9

APPLICATION REFERENCE (Open Space)

Spacing	NOMINAL MODULE LUMENS					
	1000		1500		2000	
	Avg. fc	W/ft²	Avg. fc	W/ft²	Avg. fc	W/ft²
4' x 4'	55.9	0.96	82.5	1.38	111.7	1.74
6' x 6'	26.1	0.45	38.5	0.64	52.1	0.81
8' x 8'	14.0	0.24	20.6	0.35	27.9	0.44
10' x 10'	9.3	0.16	13.8	0.23	18.6	0.29

10' ceiling, Open Space: 50' x 40' x 10'

LLF: 1.0 Initial, 80/50/20 Reflectances, 2.5' workplane

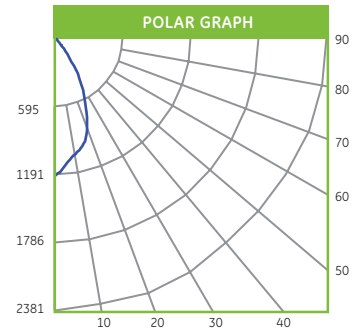
APPLICATION REFERENCE (Corridor)

Spacing	NOMINAL MODULE LUMENS					
	1000		1500		2000	
	Avg. fc	W/ft²	Avg. fc	W/ft²	Avg. fc	W/ft²
4' on ctr.	25.2	0.67	37.3	0.96	50.5	1.21
6' on ctr.	17.2	0.45	25.3	0.65	34.3	0.82
8' on ctr.	12.1	0.32	17.9	0.46	24.2	0.58
10' on ctr.	10.1	0.27	14.9	0.38	20.2	0.48

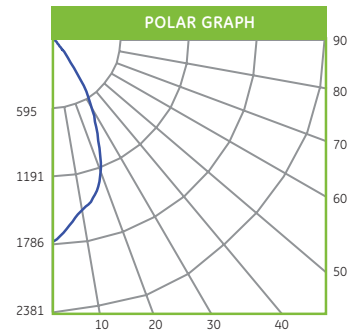
10' ceiling, Corridor: 6' W x 100' L

LLF: 1.0 Initial, 80/50/20 Reflectances, Light levels on the ground

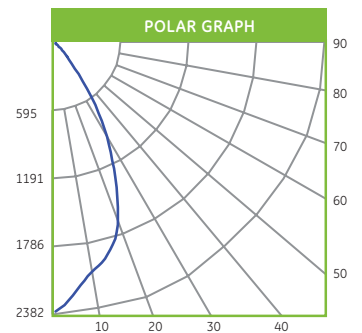
Wide - 1000 Lm



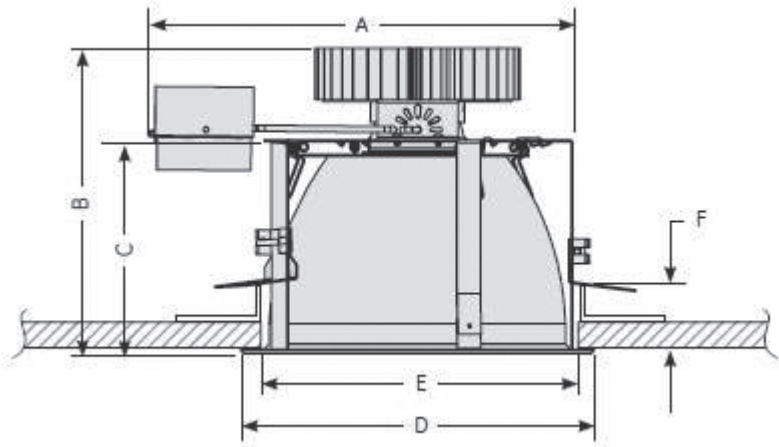
Wide - 1500 Lm



Wide - 2000 Lm

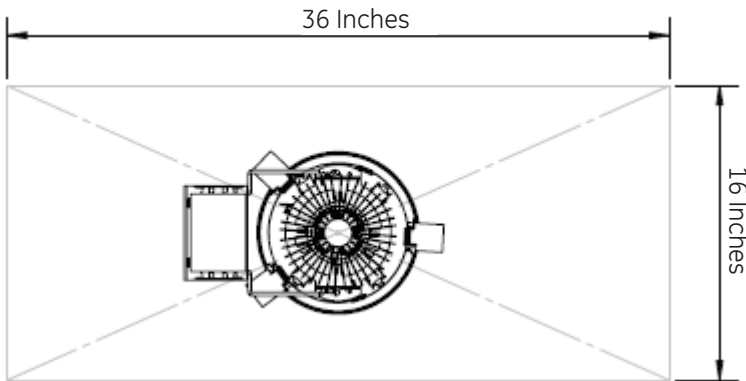


Spacing Criteria: RI6 - Wide = 0.84



PARAMETER	FRAME SIZE 6"
A Width of Frame with Swing Arm Extended	10.34"
B Height from Bottom of Reflector to Top of Heat Sink	5.92" Low Lumen
C Height from Bottom of Reflector to Top of Frame	3.91"
D Reflector Diameter	7.40"
E Cut-Out Dimension for Ceiling	6.45" - 7.125" 7.125" - 7.88" (w/Goof Ring)
F Maximum Ceiling and Rough-in Kit Thickness	1.625"

- SPACING REQUIREMENTS FOR FIXTURE: EACH INDIVIDUAL FIXTURE NEEDS TO HAVE 576 SQUARE INCHES OF SPACE BEFORE ANY OBJECT/OBSTRUCTION
- THERMAL PROTECTION FEATURE PRESENT IN MODULE THAT PROTECTS LEDS FROM OVERHEATING IN ABNORMAL CONDITIONS



Product Specifications:

Construction:

- 18 gauge galvanized steel housing
- 14 gauge aluminum reflectors resist dents during transportation and installation
- Custom engineered heat sinks for passive cooling at all lumen option

Installation:

- Universal mounting frame installs from below the ceiling and secures to existing rough in kit with 3 mounting clamps
- Hinged J-box eases installation through ceiling hole and then flips into traditional remodel housing position
- Included tether secures to existing fixture frame for hands-free wiring

Optical System:

- Custom engineered reflectors for precise beam distributions and 45° cutoff to light source and source image
- Self-flanged design with white or reflector-matching flange
- Available in specular, semi-specular, and diffused finishes in 10 different colors to precisely match existing fixtures
- Reflector is retained by four torsion springs to ensure uniform seating to LED module for exceptional light distribution for the life of the product
- LPW calculated using 120V. System will see decrease of ~5% using @ 277V and ~25% @ 347V

Electrical System:

- Infusion DLM LED module for exceptional performance and tool-free upgradeability
- Standard 0-10V dimming, high efficiency drivers
- Pre-wired with 30" flexible armored cable and push-in connector compatible with 1/2" knockout on existing junction box
- Thermal protection feature in module protects LEDs from overheating in abnormal conditions

For more information and access to all of our resources, including our design tool visit: www.gelighting.com



www.gelighting.com

GE and the GE Monogram are trademarks of the General Electric Company. All other trademarks are the property of their respective owners. Information provided is subject to change without notice. All values are design or typical values when measured under laboratory conditions. GE Lighting is a business of the General Electric Company.
© 2016 GE.

IND091 (Rev 03/31/16)