

Lumination™ LED Luminaires

LED Downlight Architectural Series
DI 4" Square Series



Project name _____

Date _____

Type _____

Product Description:

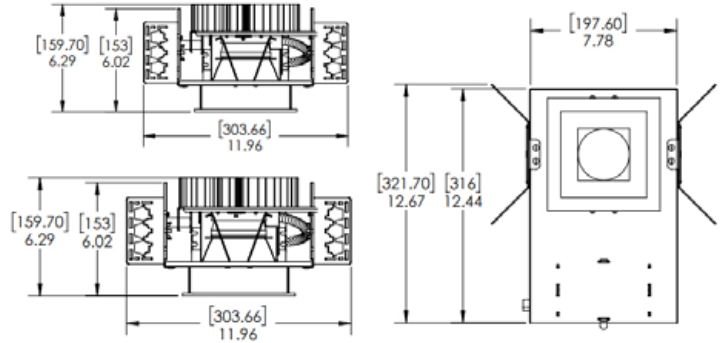
Lumination DI Series LED downlights are powered by the downlight module for exceptional efficacy and color rendering. Designed for new construction applications, the DI4S is available in four color temperatures and five lumen packages, all with 90+ CRI. Matching custom engineered reflectors ensure a 45° cutoff. The twist-in LED module allows for easy replacement and upgrade as LED technology advances, ensuring the lowest total cost of ownership.

Performance Summary:

Distribution Patterns: Wide 65°
Input Voltage: 120V, 277V, 347V
Standard Dimming Controls: 0-10V, Phase Dimming, Lutron, Dali or Daintree to 10%
CCT: 2700K, 3000K, 3500K, 4000K
CRI: 90
Color Consistency: 4 Step MacAdam Ellipse
Lifetime Rating: L85 @ 50,000 hours
Input Frequency (Hz): 60Hz
Power Factor: >0.9
Mounting Options: Hanger bars for grid or drywall ceilings
Weight: 5.2 lb
IC Rating: Non-IC Rated
Limited Warranty: 5 years system
Files Available: LM79, LM80, IES, Revit

Product Dimensions:

DI4S Low Lumen (1000, 1500, 2000 lm)
DI4S High Lumen



Nominal Module Lumens	1000	1500	2000	3000	4000
Delivered Lumen Output	870	1290	1750	2620	3426
System Input Power (W)	14	20	25	38	51
System Efficacy (LPW)	62	66	70	69	67
Emergency Mode Lumens	630	630	630	630	630

Daintree driver adds 1.4 Watts to System Input Power (W).

Listings: • UL and cUL Listed.
• Suitable for damp locations.

a product of
ecomagination™

Daintree Networks
Simplifying Building Energy Management

Ordering Information: A complete fixture consists of a Housing + LED Module + Reflector

1. Housing + Infusion LED Module + Reflector - Example: DI4S109271V10

INTERNAL CODE	FIXTURE TYPE	MODULE LUMEN OUTPUT	CRI/CCT	VOLTAGE	DRIVER	OPTIONS	GENERATION
DI	4S = 4" Square Downlight 4SW = 4 inch square wall wash	10 ¹ = 1000 LM* 15 = 1500 LM 20 = 2000 LM* 30 = 3000 LM 40 = 4000 LM*	927 = 90CRI, 2700K 930 = 90CRI, 3000K 935 = 90CRI, 3500K 940 = 90CRI, 4000K	1V = 120V 2V ¹ = 277V 3V = 347V	10 = 0-10V Dimming Driver PH ² = Phase Dimming LU ³ = Lutron EcoSystem TQ ^{4,5} = Daintree DL ⁶ = Dali	(blank) = None EL ^{1,7} = Bodine Emergency Backup with Remote Test Switch	(blank) = None G2 = Gen 2 fixture* *NOTE: 1000lm, 2000lm, 4000lm 3500K must order G2 option

DI4S Configured Housing Ordering Notes:

- @277V input, 1000lm and all EL versions are not Energy Star certified
- Phase dimming not available with 3000 or 4000 lumen packages, 277V, 347V, or EL option
- Lutron Ecosystem driver not available with 3000 or 4000 lumen packages, 347V, or EL option
- Daintree driver not available with 347V or EL option
- Contact manufacturer for lead time and minimum order quantities
- Dali driver not available with 347V or EL option
- EL Emergency option only available with 120/277V and only with "10" 0-10V driver option

2. Reflector - Example: RDI4SWSDMR

REFLECTOR	HOUSING TYPE	BEAM SPREAD	REFLECTOR FINISH	REFLECTOR COLOR	FLANGE FINISH	LENS OPTIONS
R = Reflector	DI4S = 4" Square	W = Wide WW = Wall Wash (must order with 4SW housing)	SD = Semi-diffused DF = Diffused SP = Specular PT = Painted	(blank) = Clear (no color) WE ¹ = Wheat PW ² = Pewter GO ¹ = Gold BL ² = Black WT ³ = White Paint	WT = White Paint MR = Match Reflector XT ⁴ = Trimless	(blank) = No Lens

RDI4S Ordering Notes:

- Wheat, pewter, and gold anodized reflector colors available in SD = Semi-Diffused reflector finish only
- Black anodized reflectors available in DF = Diffused finish only
- White painted reflectors only available in PT = Painted reflector finish and WT = White Paint flange finish
- Trimless only available in the following combinations: RD14SWSDXT, RD14SWPTWTWTXT, RD14SWDFBLXT

current
powered by GE



Accessories

PRODUCT DESCRIPTION	MATERIAL DESCRIPTION	MATERIAL
ENLIGHTED SENSOR KIT	LCACBAVQNUNGALV	93029451
DAINTREE SENSOR KIT	LCACBAVTQUNGALV	93057194
HANGER BAR, C-CHANNEL - 25 1/4" (QUANTITY 2)	BH3	94890

Housing-Only Option

Lumination DI series fixtures without LED modules are stocked in GE distribution centers for quick shipment. These fixtures can be shipped directly to job sites for rough-in, and then later fitted with the appropriate Infusion LED module and trim kit to complete the installation. The unprecedented interchangeability and flexibility of the Infusion LED module makes this possible.

With the Housing-Only option, distributors can:

- Order just the housings for stock, and then complete the order with the appropriate Infusion LED module and reflector at a later date
- Order the stocked housing, module, and reflector all at once for a complete fixture in under 2 weeks

For the housing-only option: A complete fixture consists of a **Housing + LED Module + Reflector**



4" Square Housing-Only Fixtures & LED Modules

Downlight Housing-Only			Compatible LED Modules		
MATERIAL	MATERIAL DESCRIPTION	PRODUCT DESCRIPTION	MATERIAL	MATERIAL DESCRIPTION	PRODUCT DESCRIPTION
93079202 93079203	DI4SLL101V10HOG2 DI4SLL102V10HOG2	4" Square Housing-Only, 120V, 1000lm, 0-10V Gen2 4" Square Housing-Only, 277V, 1000lm, 0-10V Gen2	93064853 93064854	MLT35A MLT40A	1000lm, 90 CRI, 3500K 1000lm, 90 CRI, 4000K
93078864 93078865	DI4SLL1V10HO DI4SLL2V10HO	4" Square Housing-Only, 120V, 0-10V, 1500lm 4" Square Housing-Only, 277V, 0-10V, 1500lm	19441 19444 19485 19492	DLM1500/927/G2 DLM1500/930/G2 DLM1500/935/G2 DLM1500/940/G2	1500 LM, 90 CRI, 2700K 1500 LM, 90 CRI, 3000K 1500 LM, 90 CRI, 3500K 1500 LM, 90 CRI, 4000K
93079206 93079207	DI4SLL201V10HOG2 DI4SLL202V10HOG2	4" Square Housing-Only, 120V, 2000lm, 0-10V Gen2 4" Square Housing-Only, 277V, 2000lm, 0-10V Gen2	93064853 93064854	MLT35A MLT40A	2000 LM, 90 CRI, 3500K 2000 LM, 90 CRI, 4000K

Note: Housing-Only Options are not compatible with Wall Wash Reflectors

4" Square Stocked Reflectors

MATERIAL	MATERIAL DESCRIPTION	PRODUCT DESCRIPTION
93986	RDI4SWSDMR	4" Square Reflector, Wide Distribution, Semi-Diffuse, Polished Flange
93987	RDI4SWSDWT	4" Square Reflector, Wide Distribution, Semi-Diffuse, White Trim
207309	RDI4SWPTWTWT	4" Square Reflector, Wide Distribution, Semi-Diffuse, All-White Painted
207307	RDI4SWDFBLMR	4" Square Reflector, Wide Distribution, Semi-Diffuse, All-Black Anodized
84072	RDI4SWWSDMR	4" Square Reflector, Wall Wash, Semi-Diffuse, Polished Flange
84073	RDI4SWWSDWT	4" Square Reflector, Wall Wash, Semi-Diffuse, White Flange
84091	RDI4SWWPTWTWT	4" Square Reflector, Wall Wash, Semi-Diffuse, All-White Painted
207307	RDI4SWWDFBLMR	4" Square Reflector, Wall Wash, All-Black Anodized

Photometric Data: Lumination™ DI4S Series Downlights

Wide Distribution

COEFFICIENTS OF UTILIZATION																		
RC	80%				70%				50%			30%			10%			0%
RW	70%	50%	30%	10%	70%	50%	30%	10%	50%	30%	10%	50%	30%	10%	50%	30%	10%	0%
0	119	119	119	119	116	116	116	116	111	111	111	106	106	106	102	102	102	100
1	113	110	108	105	111	108	106	104	104	102	101	100	99	98	97	96	95	93
2	107	102	98	95	105	101	97	94	97	94	92	94	92	90	92	90	88	86
3	102	95	90	86	100	94	89	85	91	87	84	89	85	83	86	84	81	80
4	96	89	83	79	95	88	82	78	85	81	77	83	79	76	81	78	75	74
5	91	83	77	72	90	82	76	72	80	75	71	78	74	71	77	73	70	69
6	87	77	71	67	85	77	71	67	75	70	66	74	69	66	72	68	65	64
7	82	73	66	62	81	72	66	62	71	65	61	69	65	61	68	64	61	59
8	78	68	62	58	77	68	62	58	66	61	57	65	61	57	64	60	57	55
9	74	64	58	54	73	64	58	54	63	57	54	62	57	53	61	56	53	52
10	70	60	54	50	69	60	54	50	59	54	50	58	53	50	58	53	50	49

NOTE: Floor Cavity Reflectance : 20%

CANDLEPOWER SUMMARY

Angle	NOMINAL MODULE LUMENS		
	1000	1500	2000
0	853	1258	1705
5	863	1274	1726
10	875	1291	1750
15	869	1283	1738
20	822	1214	1644
25	699	1032	1398
30	497	734	994
35	281	415	562
40	137	202	274
45	59	88	119
50	20	30	40
55	9	16	22
60	6	9	12

CONE OF LIGHT

Height	NOMINAL MODULE LUMENS			
	1000	1500	2000	Dia. (ft.)
6'	24	35	47	6.9
8'	13	20	27	9.2
10'	9	13	17	11.5
12'	6	9	12	13.9
14'	4	6	9	16.2
16'	3	5	7	18.5
18'	3	4	5	20.8
20'	2	3	4	23.1

ZONAL LUMEN SUMMARY

Zone	NOMINAL MODULE LUMENS			
	1000	1500	2000	% of Fixture
0 - 30°	663	978	1326	68.6
0 - 40°	881	1300	1762	91.1
0 - 60°	956	1412	1913	99
0 - 90°	967	1427	1934	100

APPLICATION REFERENCE (Open Space)

Spacing	NOMINAL MODULE LUMENS					
	1000		1500		2000	
	Avg. fc	W/ft²	Avg. fc	W/ft²	Avg. fc	W/ft²
4' x 4'	60.3	1.08	89.1	1.50	120.7	1.92
6' x 6'	28.1	0.50	41.6	0.70	56.3	0.90
8' x 8'	15.1	0.27	22.3	0.38	30.2	0.48
10' x 10'	10.1	0.18	14.8	0.25	20.1	0.32

10' ceiling, Open Space: 50' x 40' x 10'

LLF: 1.0 Initial, 80/50/20 Reflectances, 2.5' workplane

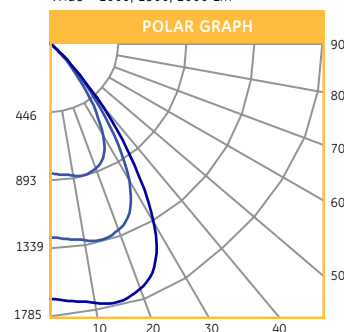
APPLICATION REFERENCE (Corridor)

Spacing	NOMINAL MODULE LUMENS					
	1000		1500		2000	
	Avg. fc	W/ft²	Avg. fc	W/ft²	Avg. fc	W/ft²
4' on ctr.	26.0	0.75	38.3	1.04	51.9	1.33
6' on ctr.	17.7	0.51	26.1	0.71	35.3	0.91
8' on ctr.	12.5	0.36	18.4	0.50	24.9	0.64
10' on ctr.	10.4	0.30	15.3	0.42	20.8	0.53

10' ceiling, Corridor: 6' W x 100' L

LLF: 1.0 Initial, 80/50/20 Reflectances, Light levels on the ground

Wide - 1000, 1500, 2000 Lm



Spacing Criteria: DI4S - Wide = 1.04

Product Specifications:

Construction:

- 16 gauge galvanized steel housing
- Custom engineered heat sinks for passive cooling at all lumen options
- Galvanized steel junction box with multiple knockouts

Installation:

- Universal mounting brackets with over 3" of vertical adjustment accommodate several types of hanger bars
- Accommodates ceilings up to 1.5" thick
- Mount in T-bar grid or drywall ceilings
- LED module twists in at time of trim installation, preventing damage to module during ceiling installation

Optical System:

- Custom engineered reflectors for precise beam distributions and 45° cutoff to light source and source image
- Standard semi-diffuse finish for ideal combination of optical efficiency and low glare

Electrical System:

- LED module provides exceptional performance and tool-free upgradeability
- Standard 0-10V dimming, high efficiency drivers
- Thermal protection feature in module protects LEDs from overheating in abnormal conditions

For more information and access to all of our resources, including our design tool visit: www.gelighting.com



All trademarks are the property of their respective owners. Information provided is subject to change without notice. All values are design or typical values when measured under laboratory conditions. Current, powered by GE is a business of the General Electric Company. © 2017 GE.

