

# Lumination™ LED Luminaires

LED Downlight Architectural Series  
DI 6" Square Series



Project name \_\_\_\_\_

Date \_\_\_\_\_

Type \_\_\_\_\_

## Product Description:

Lumination DI Series LED downlights are powered by the downlight module for exceptional efficacy and color rendering. Designed for new construction applications, the DI6S is available in four color temperatures and five lumen packages, all with 90+ CRI. Matching custom engineered reflectors ensure a 45 degree cutoff. The twist-in LED module allows for easy replacement and upgrade as LED technology advances, ensuring the lowest total cost of ownership. Output up to 3400 lumens is ideal for high ceiling applications.

## Performance Summary:

**Distribution Patterns:** Medium 46°, Wide 65°

**Input Voltage:** 120V, 277V, 347V

**Standard Dimming Controls:** 0-10V, Phase Dimming, Lutron, Dali or Daintree to 10%

**CCT:** 2700K, 3000K, 3500K, 4000K

**CRI:** 90

**Color Consistency:** 4 Step MacAdam Ellipse

**Lifetime Rating:** L85 @ 50,000 hours

**Input Frequency (Hz):** 60Hz

**Power Factor:** >0.9

**Mounting Options:** Hanger bars for grid or drywall ceilings

**Weight:** 6.2 lb

**IC Rating:** Non-IC Rated

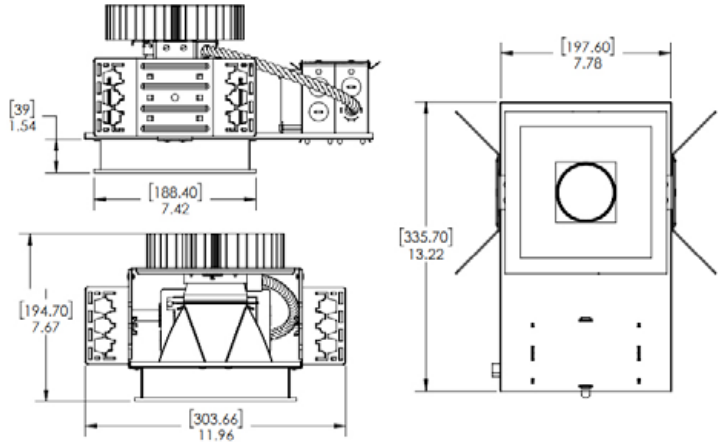
**Limited Warranty:** 5 years system

**Files Available:** LM79, LM80, IES, Revit

## Product Dimensions:

DI6S Low Lumen (1000, 1500, 2000 lm)

DI6S High Lumen



Nominal Module Lumens	1000	1500	2000	3000	4000
Delivered Lumen Output	870	1290	1750	2620	3426
System Input Power (W)	14	20	25	38	51
System Efficacy (LPW)	62	66	70	69	67
Emergency Mode Lumens	630	630	630	630	630

Daintree driver adds 1.4 Watts to System Input Power (W).

Listings: • UL and cUL Listed.  
• Suitable for damp locations.

a product of  
**ecomagination™**

**Daintree Networks**  
Simplifying Building Energy Management

## Ordering Information: A complete fixture consists of a Housing + LED Module + Reflector

### 1. Housing + Infusion LED Module - Example: DI6S109271V10

LUMINAIRE SKU							
INTERNAL CODE	FIXTURE TYPE	MODULE LUMEN OUTPUT	CRI/CCT	VOLTAGE	DRIVER	OPTIONS	GENERATION
DI	6S = 6" Square Downlight 6SW = 6 inch square wall wash	10 <sup>1</sup> = 1000 LM* 15 = 1500 LM 20 = 2000 LM* 30 = 3000 LM 40 = 4000 LM* <small>*NOTE: 1000lm, 2000lm, 4000lm 3500K must order G2 option</small>	927 = 90CRI, 2700K 930 = 90CRI, 3000K 935 = 90CRI, 3500K 940 = 90CRI, 4000K	1V = 120V 2V <sup>1</sup> = 277V 3V = 347V	10 = 0-10V Dimming Driver PH <sup>2</sup> = Phase Dimming LU <sup>3</sup> = Lutron EcoSystem TQ <sup>4,5</sup> = Daintree DL <sup>6</sup> = Dali	(blank) = None EL <sup>17</sup> = Bodine Emergency Backup with Remote Test Switch	(blank) = None G2 = Gen 2 fixture* <small>*NOTE: 1000lm, 2000lm, 4000lm 3500K must order G2 option</small>

### 2. Reflector - Example: RD16SWSDMR

REFLECTOR SKU						
REFLECTOR	HOUSING TYPE	BEAM SPREAD	REFLECTOR FINISH	REFLECTOR COLOR	FLANGE FINISH	LENS OPTIONS
R = Reflector	DI6S = 6" Square	M = Medium W = Wide WW = Wall Wash (must order with 6SW housing)	SD = Semi-diffused DF = Diffused SP = Specular PT = Painted	(blank) = Clear (no color) WE <sup>1</sup> = Wheat PW <sup>1</sup> = Pewter GO <sup>1</sup> = Gold BL <sup>2</sup> = Black WT <sup>3</sup> = White Paint	MR = Match Reflector WT = White Paint XT <sup>4</sup> = Trimless	(blank) = No Lens

### DI6S Configured Housing Ordering Notes:

- @277V input, 1000lm and all EL versions are not Energy Star certified
- Phase dimming not available with 3000 or 4000 lumen packages, 277V, 347V, or EL option
- Lutron Ecosystem driver not available with 3000 or 4000 lumen packages, 347V, or EL option
- Daintree driver not available with 347V or EL option
- Contact manufacturer for lead time and minimum order quantities
- Dali driver not available with 347V or EL option
- EL Emergency option only available with 120/277V and only with "10" 0-10V driver option

### RD16S Ordering Notes:

- Wheat, pewter, and gold anodized reflector colors available in SD = Semi-Diffused reflector finish only
- Black anodized reflectors available in DF = Diffused finish only
- White painted reflectors only available in PT = Painted reflector finish and WT = White Paint flange finish
- Trimless only available in the following combinations: RD16SWSDMRXT, RD16SWPTWTWTXT, RD16SWDFBLXT

**current**  
powered by GE



## Accessories

PRODUCT DESCRIPTION	MATERIAL DESCRIPTION	MATERIAL
ENLIGHTED SENSOR KIT	LCACBAVQUNUNGALV	93029451
DAINTREE SENSOR KIT	LCACBAVTQUNUNGALV	93057194
HANGER BAR, C-CHANNEL - 25 1/4" (QUANTITY 2)	BH3	94890

## Housing-Only Option

Lumination DI series fixtures without LED modules are stocked in GE distribution centers for quick shipment. These fixtures can be shipped directly to job sites for rough-in, and then later fitted with the appropriate Infusion LED module and trim kit to complete the installation. The unprecedented interchangeability and flexibility of the Infusion LED module makes this possible.

**With the Housing-Only option, distributors can:**

- Order just the housings for stock, and then complete the order with the appropriate Infusion LED module and reflector at a later date
- Order the stocked housing, module, and reflector all at once for a complete fixture in under 2 weeks

For the housing-only option: A complete fixture consists of a **Housing + LED Module + Reflector**



## 6" Square Housing-Only Fixtures & LED Modules

Downlight Housing-Only			Compatible LED Modules		
MATERIAL	MATERIAL DESCRIPTION	PRODUCT DESCRIPTION	MATERIAL	MATERIAL DESCRIPTION	PRODUCT DESCRIPTION
<b>93079208</b> <b>93079209</b>	DI6SLL101V10HOG2 DI6SLL102V10HOG2	6" Square Housing-Only, 120V, 1000lm, 0-10V Gen2 6" Square Housing-Only, 277V, 1000lm, 0-10V Gen2	<b>93064853</b> <b>93064854</b>	MLT35A MLT40A	1000lm, 90 CRI, 3500K 1000lm, 90 CRI, 4000K
<b>93079188</b> <b>93079189</b>	DI6SLL1V10HO DI6SLL2V10HO	6" Square Housing-Only, 120V, 0-10V, 1500lm 6" Square Housing-Only, 277V, 0-10V, 1500lm	<b>19441</b> <b>19444</b> <b>19485</b> <b>19492</b>	DLM1500/927/G2 DLM1500/930/G2 DLM1500/935/G2 DLM1500/940/G2	1500 LM, 90 CRI, 2700K 1500 LM, 90 CRI, 3000K 1500 LM, 90 CRI, 3500K 1500 LM, 90 CRI, 4000K
<b>93079212</b> <b>93079213</b>	DI6SLL201V10HOG2 DI6SLL202V10HOG2	6" Square Housing-Only, 120V, 2000lm, 0-10V Gen2 6" Square Housing-Only, 277V, 2000lm, 0-10V Gen2	<b>93064853</b> <b>93064854</b>	MLT35A MLT40A	2000 LM, 90 CRI, 3500K 2000 LM, 90 CRI, 4000K
<b>93020885</b> <b>93020886</b>	DI6SHL1V10HO DI6SHL2V10HO	6" Square Housing-Only, 120V, 0-10V, 3000lm 6" Square Housing-Only, 277V, 0-10V, 3000lm	<b>19529</b> <b>19575</b> <b>19595</b> <b>34178</b>	DLM3000/927/G2 DLM3000/930/G2 DLM3000/935/G2 DLM3000/940/G2	3000 LM, 90 CRI, 2700K 3000 LM, 90 CRI, 3000K 3000 LM, 90 CRI, 3500K 3000 LM, 90 CRI, 4000K
<b>93103513</b> <b>93103514</b>	DI6SHL401V10HOG2 DI6SHL402V10HOG2	6" Square Housing-Only, 120V, 4000lm, 0-10V Gen2 6" Square Housing-Only, 277V, 4000lm, 0-10V Gen2	<b>93104259</b> <b>93104260</b>	MHT35A MHT40A	4000 LM, 90 CRI, 3500K 4000 LM, 90 CRI, 4000K

**Note:** Housing-Only Options are not compatible with Wall Wash Reflectors

## 6" Square Stocked Reflectors

MATERIAL	MATERIAL DESCRIPTION	PRODUCT DESCRIPTION
<b>93992</b>	RD16SMSDMR	6" Square Reflector, Medium Distribution, Semi-Diffuse, Polished Flange
<b>93993</b>	RD16SMSDWT	6" Square Reflector, Medium Distribution, Semi-Diffuse, White Flange
<b>93994</b>	RD16SWSDMR	6" Square Reflector, Wide Distribution, Semi-Diffuse, Polished Flange
<b>93995</b>	RD16SWSDWT	6" Square Reflector, Wide Distribution, Semi-Diffuse, White Flange
<b>207335</b>	RD16SWPTWTWT	6" Square Reflector, Wide Distribution, Painted All-White
<b>207333</b>	RD16SWDFBLMR	6" Square Reflector, Wide Distribution, All-Black Anodized
<b>25570</b>	RD16SWWSDMR	6" Square Reflector, Wall Wash, Semi-Diffuse, Polished Flange
<b>25341</b>	RD16SWWSDWT	6" Square Reflector, Wall Wash, Semi-Diffuse, White Flange
<b>93030444</b>	RD16SWWPTWTWT	6" Square Reflector, Wall Wash, Painted All-White

# Photometric Data: Lumination™ DI6S Series Downlights

## Medium Distribution

COEFFICIENTS OF UTILIZATION																			
RC	80%					70%				50%			30%			10%			0%
RW	70%	50%	30%	10%	70%	50%	30%	10%	50%	30%	10%	50%	30%	10%	50%	30%	10%	0%	
0	119	119	119	119	116	116	116	116	111	111	111	106	106	106	102	102	102	100	
1	114	111	109	107	111	109	107	105	105	103	102	101	100	99	98	97	96	94	
2	109	104	101	97	107	103	99	96	99	97	94	96	94	92	94	92	90	89	
3	104	98	93	90	102	97	92	89	94	91	88	92	89	86	89	87	85	84	
4	99	92	87	83	98	91	87	83	89	85	82	87	84	81	85	82	80	79	
5	95	87	82	78	93	86	81	78	85	80	77	83	79	76	81	78	76	74	
6	91	83	77	73	89	82	77	73	80	76	72	79	75	72	78	74	71	70	
7	87	78	73	69	85	78	72	69	76	72	68	75	71	68	74	70	68	66	
8	83	74	69	65	82	74	69	65	73	68	65	72	68	64	71	67	64	63	
9	80	71	65	62	78	70	65	62	69	65	61	68	64	61	68	64	61	60	
10	76	67	62	59	75	67	62	58	66	62	58	65	61	58	65	61	58	57	

NOTE: Floor Cavity Reflectance : 20%

### CANDLEPOWER SUMMARY

Angle	NOMINAL MODULE LUMENS				
	1000	1500	2000	3000	4000
0	1613	2380	3225	4838	6331
5	1577	2328	3154	4732	6192
10	1415	2089	2830	4245	5555
15	1200	1772	2400	3601	4712
20	975	1439	1950	2924	3827
25	759	1120	1518	2277	2980
30	422	623	845	1267	1658
35	163	241	327	490	641
40	49	72	98	147	192
45	11	17	23	34	45
50	5	8	11	16	21
55	3	5	7	10	13
60	3	4	5	8	10

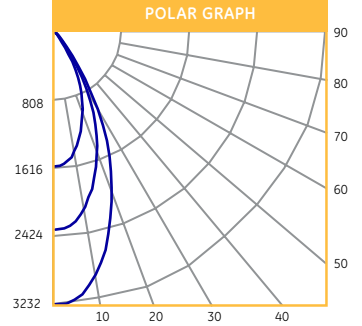
### ZONAL LUMEN SUMMARY

Zone	NOMINAL MODULE LUMENS					% of Fixture
	1000	1500	2000	3000	4000	
0 - 30°	785	1159	1571	2357	3084	81.3
0 - 40°	936	1381	1872	2808	3674	96.8
0 - 60°	961	1418	1922	2883	3772	99.4
0 - 90°	967	1427	1934	2901	3796	100

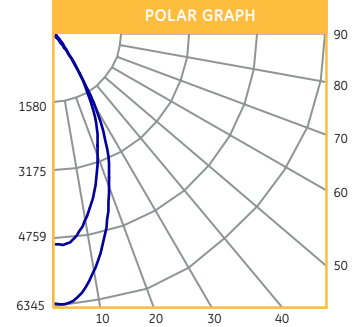
### CONE OF LIGHT

Height	NOMINAL MODULE LUMENS					Dia. (ft.)
	1000	1500	2000	3000	4000	
6'	45	66	90	134	176	5.2
8'	25	37	50	76	99	7.0
10'	16	24	32	48	63	8.7
12'	11	17	22	34	44	10.4
14'	8	12	16	25	32	12.2
16'	6	9	13	19	25	13.9
18'	5	7	10	15	20	15.7
20'	4	6	8	12	16	17.4

Medium - 1000, 1500, 2000 Lm



Medium - 3000, 4000 Lm



### APPLICATION REFERENCE (Open Space)

Spacing	NOMINAL MODULE LUMENS									
	1000		1500		2000		3000		4000	
4' x 4'	61.5	1.08	90.7	1.50	122.9	1.92	160.9	2.58	210.6	3.36
6' x 6'	28.7	0.50	42.3	0.70	57.4	0.90	75.1	1.20	98.3	1.57
8' x 8'	15.4	0.27	22.7	0.38	30.7	0.48	40.2	0.65	52.6	0.84
10' x 10'	10.2	0.18	15.1	0.25	20.5	0.32	26.8	0.43	35.1	0.56

10' ceiling, Open Space: 50' x 40' x 10'      20' ceiling, Open Space: 50' x 40' x 20'

LLF: 1.0 Initial, 80/50/20 Reflectances, 2.5' workplane

### APPLICATION REFERENCE (Corridor)

Spacing	NOMINAL MODULE LUMENS									
	1000		1500		2000		3000		4000	
4' on ctr.	28.7	0.75	42.4	1.04	57.4	1.33	59.2	1.79	77.5	2.33
6' on ctr.	19.5	0.51	28.8	0.71	39.1	0.91	40.3	1.22	52.7	1.59
8' on ctr.	13.8	0.36	20.3	0.50	27.6	0.64	28.4	0.86	37.2	1.12
10' on ctr.	11.5	0.30	17.0	0.42	23.0	0.53	23.7	0.72	31.0	0.93

10' ceiling, Corridor: 6' W x 100' L      20' ceiling, Corridor: 6' W x 100' L

LLF: 1.0 Initial, 80/50/20 Reflectances, Light levels on the ground

Spacing Criteria: DI6S - Medium = 0.74

# Photometric Data: Lumination™ DI6S Series Downlights

## Wide Distribution

		COEFFICIENTS OF UTILIZATION																					
		80%					70%					50%					30%			10%			0%
RC	RW	70%	50%	30%	10%	70%	50%	30%	10%	50%	30%	10%	50%	30%	10%	50%	30%	10%	50%	30%	10%	0%	
0	119	119	119	119	119	116	116	116	116	111	111	111	106	106	106	102	102	102	102	102	102	100	
1	113	110	108	106	111	108	106	104	104	104	102	101	101	99	98	97	96	95	93	93	93	93	
2	108	103	98	95	105	101	97	94	98	95	92	95	92	90	92	90	88	86	86	86	86	86	
3	102	95	90	86	100	94	89	86	91	87	84	89	86	83	87	84	82	80	80	80	80	80	
4	97	89	83	79	95	88	83	78	86	81	78	84	80	77	82	78	76	74	74	74	74	74	
5	92	83	77	73	90	82	77	72	80	75	72	79	74	71	77	73	70	69	69	69	69	69	
6	87	78	72	67	85	77	71	67	75	70	67	74	69	66	73	69	66	64	64	64	64	64	
7	82	73	67	62	81	72	66	62	71	66	62	70	65	62	69	64	61	60	60	60	60	60	
8	78	68	62	58	77	68	62	58	67	62	58	66	61	58	65	60	57	56	56	56	56	56	
9	74	64	58	54	73	64	58	54	63	58	54	62	57	54	61	57	54	52	52	52	52	52	
10	71	61	55	51	70	60	55	51	60	54	51	59	54	51	58	54	50	49	49	49	49	49	

NOTE: Floor Cavity Reflectance : 20%

### CANDLEPOWER SUMMARY

NOMINAL MODULE LUMENS						
	1000	1500	2000	3000	4000	
Angle	Candela	Candela	Candela	Candela	Candela	Candela
0	935	1380	1869	2804	3670	
5	928	1370	1856	2784	3643	
10	898	1325	1795	2693	3524	
15	860	1269	1720	2579	3376	
20	832	1228	1664	2496	3267	
25	731	1079	1462	2193	2870	
30	481	710	962	1443	1889	
35	244	360	487	731	957	
40	114	169	229	343	449	
45	49	72	97	146	191	
50	24	36	49	73	95	
55	12	18	24	37	48	
60	7	10	13	20	26	

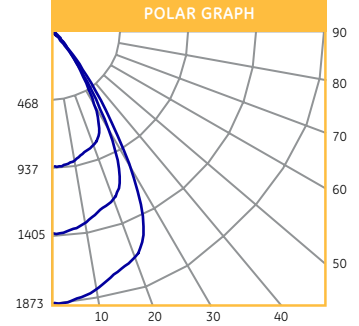
### ZONAL LUMEN SUMMARY

Zone	NOMINAL MODULE LUMENS					% of Fixture
	1000	1500	2000	3000	4000	
0 - 30°	671	991	1343	2014	2636	69.5
0 - 40°	891	1315	1782	2673	3498	92.2
0 - 60°	959	1415	1918	2877	3765	99.2
0 - 90°	967	1427	1934	2901	3796	100

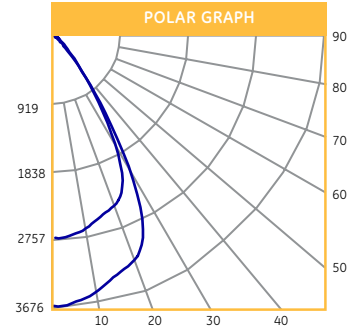
### CONE OF LIGHT

Height	NOMINAL MODULE LUMENS					Dia. (ft.)
	1000	1500	2000	3000	4000	
6'	26	38	52	78	102	6.9
8'	15	22	29	44	57	9.2
10'	9	14	19	28	37	11.5
12'	6	10	13	19	25	13.9
14'	5	7	10	14	19	16.2
16'	4	5	7	11	14	18.5
18'	3	4	6	9	11	20.8
20'	2	3	5	7	9	23.1

Wide - 1000, 1500, 2000 Lm



Wide - 3000, 4000 Lm



### APPLICATION REFERENCE (Open Space)

Spacing	NOMINAL MODULE LUMENS									
	1000		1500		2000		3000		4000	
	Avg. fc	W/ft²	Avg. fc	W/ft²	Avg. fc	W/ft²	Avg. fc	W/ft²	Avg. fc	W/ft²
4' x 4'	60.4	1.08	89.1	1.50	120.8	1.92	154.4	2.58	202.0	3.36
6' x 6'	28.2	0.50	41.6	0.70	56.4	0.90	72.0	1.20	94.3	1.57
8' x 8'	15.1	0.27	22.3	0.38	30.2	0.48	38.6	0.65	50.5	0.84
10' x 10'	10.1	0.18	14.9	0.25	20.1	0.32	25.7	0.43	33.7	0.56

10' ceiling, Open Space: 50' x 40' x 10'      20' ceiling, Open Space: 50' x 40' x 20'

LLF: 1.0 Initial, 80/50/20 Reflectances, 2.5' workplane

### APPLICATION REFERENCE (Corridor)

Spacing	NOMINAL MODULE LUMENS									
	1000		1500		2000		3000		4000	
	Avg. fc	W/ft²	Avg. fc	W/ft²	Avg. fc	W/ft²	Avg. fc	W/ft²	Avg. fc	W/ft²
4' on ctr.	26.1	0.75	38.6	1.04	52.2	1.33	49.7	1.79	65.1	2.33
6' on ctr.	17.8	0.51	26.2	0.71	35.5	0.91	33.8	1.22	44.3	1.59
8' on ctr.	12.5	0.36	18.5	0.50	25.1	0.64	23.9	0.86	31.2	1.12
10' on ctr.	10.4	0.30	15.4	0.42	20.9	0.53	19.9	0.72	26.0	0.93

10' ceiling, Corridor: 6' W x 100' L      20' ceiling, Corridor: 6' W x 100' L

LLF: 1.0 Initial, 80/50/20 Reflectances, Light levels on the ground

## Spacing Criteria: DI6S - Wide = 1.02

## Product Specifications:

### Construction:

- 16 gauge galvanized steel housing
- Custom engineered heat sinks for passive cooling at all lumen options
- Galvanized steel junction box with multiple knockouts

### Installation:

- Universal mounting brackets with over 3" of vertical adjustment accommodate several types of hanger bars
- Accommodates ceilings up to 1.5" thick
- Mount in T-bar grid or drywall ceilings
- LED module twists in at time of trim installation, preventing damage to module during ceiling installation

### Optical System:

- Custom engineered reflectors for precise beam distributions and 45° cutoff to light source and source image
- Standard semi-diffuse finish for ideal combination of optical efficiency and low glare

### Electrical System:

- LED module provides exceptional performance and tool-free upgradeability
- Standard 0-10V dimming, high efficiency drivers
- Thermal protection feature in module protects LEDs from overheating in abnormal conditions

For more information and access to all of our resources, including our design tool visit: [www.gelighting.com](http://www.gelighting.com)



All trademarks are the property of their respective owners. Information provided is subject to change without notice. All values are design or typical values when measured under laboratory conditions. Current, powered by GE is a business of the General Electric Company. © 2017 GE.

