

# Lumination™ LED Luminaires

LED Downlight Architectural Series  
DI4R - 4" Round Aperture



Project name \_\_\_\_\_  
Date \_\_\_\_\_  
Type \_\_\_\_\_

## Product Description:


Lumination DI Series LED downlights are powered by the downlight module for exceptional efficacy and color rendering. Designed for new construction applications, the DI4R is available in four color temperatures and five lumen packages, all with 90+ CRI. Matching custom engineered reflectors ensure a 45 degree cutoff. The twist-in LED module allows for tool-free replacement and upgrade as LED technology advances, ensuring the lowest total cost of ownership.

## Performance Summary:

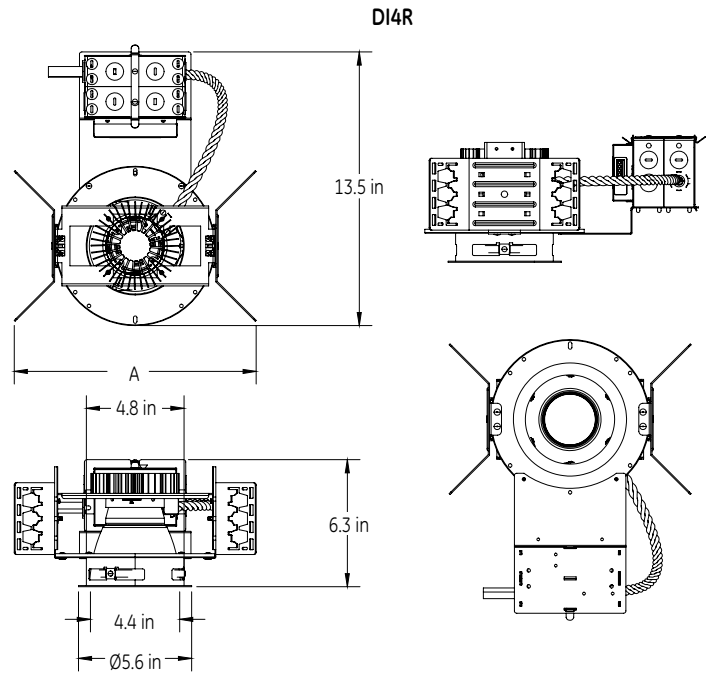
**Distribution patterns:** Wide 63°  
**Input Voltage:** 120, 277V, 347V  
**Dimming options:** 0-10V, Phase Dimming, Lutron, Dali or Daintree to 10%  
**cc t:** 2700K, 3000K, 3500K, 4000K  
**cRI:** 90  
**color consistency:** 4 Step MacAdam Ellipse  
**Lifetime Rating:** L85 @ 50,000 Hrs  
**Input Frequency (Hz):** 60Hz  
**power Factor:** >0.9  
**Mounting options:** Hanger bars for grid or drywall ceilings  
**Weight:** 5.1 lb  
**Ic Rating:** Non-IC Rated  
**Limited Warranty:** 5 years system  
**Files available:** LM79, LM80, IES, Revit

nominal Module Lumens	1000	1500	2000	3000	4000
Delivered Lumen output	870	1290	1750	2620	3426
system Input power (W)	14	20	25	38	51
system Efficacy (LpW)	62	66	70	69	67
Emergency Mode Lumens	630	630	630	630	630

Daintree driver adds 1.4 Watts to system Input power (W).

Listings:  • UL and cUL Listed.  
• Suitable for damp locations.  
• Wet Rated options available.

## Product Dimensions:



Driver option	Dimension 'a'
10; PH; LU	12.0 in
TQ; DL	14.8 in



a product of  
**ecomagination™**

## Ordering Information: A complete fixture consists of a Housing + Reflector

For shortest lead times, order **standard reflector options shown in bold**.

### 1. Housing - Example: DI4R209351V10

INTERNAL CODE	FIXTURE TYPE	MODULE LUMEN OUTPUT	CRI/CCT	VOLTAGE	DRIVER	OPTIONS	GENERATION
DI	4R = 4" Round Downlight	10 = 1000 LM* 15 = 1500 LM 20 = 2000 LM* 30 = 3000 LM 40 = 4000 LM*	927 = 90CRI, 2700K 930 = 90CRI, 3000K 935 = 90CRI, 3500K 940 = 90CRI, 4000K	1V = 120V 2V <sup>1</sup> = 277V 3V = 347V	10 = 0-10V Dimming Driver PH <sup>2</sup> = Phase Dimming LU <sup>3</sup> = Lutron EcoSystem TQ <sup>4</sup> = Daintree DL <sup>5</sup> = Dali	(blank) = None EL <sup>4,5</sup> = Bodine Emergency Backup with Remote Test Switch H = CCEA Chicago Plenum	(blank) = None G2 = Gen 2 fixture*  *NOTE: 1000lm, 2000lm, 4000lm 3500K must order G2 option

### 2. Reflector - Example: RDI4RWsDwt

REFLECTOR	HOUSING TYPE	BEAM SPREAD	REFLECTOR FINISH	REFLECTOR COLOR	FLANGE FINISH	LENS OPTIONS
R = Reflector	DI4R = 4" Round	W = Wide 63° WW = Wall Wash NOTE: wall wash available only in configurations shown below	SD = Semi-diffused DF = Diffused PT = Painted	Blank = Clear (no color) WE <sup>1</sup> = Wheat PW <sup>1</sup> = Pewter GO <sup>1</sup> = Gold BL <sup>2</sup> = Black WT <sup>3</sup> = White Paint	WT = White Paint MR = Match Reflector	(blank) = No Lens WR = Wet Rated (clear and white paint only) AG = Frosted Decorative Drop Ring (See available configurations below)

## accessories

ACCESSORIES	DESCRIPTION CODE	PRODUCT CODE
c-channel Bar Hangers 25 1/4"	BH3	94890

### Ordering Notes:

- Wheat, pewter, and gold anodized reflector colors available in SD = Semi-Diffuse reflector finish only.
- Black anodized reflectors available in DF = Diffused finish only.
- White Painted reflectors only available in PT = Painted reflector finish and WT = White Paint flange finish.
- @277V input, 1000 lm version and all EL options are not Energy Star certified.
- EL option only available with "10" 0-10V driver option and 1V & 2V voltage options.
- Daintree driver not available with 347V input voltage, EL option and/or H = CCEA option.
- Dali driver not available with 347V input voltage, EL option and/or H = CCEA option.
- Phase dimming only available with 1000, 1500, and 2000 lumen packages. Lutron EcoSystem only available with 1000, 1500, and 2000 lumen packages.  
**note:** 5% less lumens when using anti-glare reflectors.

**current**  
powered by GE



## Housing-only option

Lumination DI series fixtures without LED modules are stocked in GE distribution centers for quick shipment. These fixtures can be shipped directly to job sites for rough-in, and then later fitted with the appropriate Infusion LED module and trim kit to complete the installation. The unprecedented interchangeability and flexibility of the Infusion LED module makes this possible.

### With the Housing-only option, distributors can:

- Order just the housings for stock, and then complete the order with the appropriate Infusion LED module and reflector at a later date
- Order the stocked housing, module, and reflector all at once for a complete fixture in under 2 weeks

For the housing-only option: A complete fixture consists of a **Housing + LED Module + Reflector**



## 4" Round Housing-only Fixtures & LED Modules

Downlight Housing-only			compatible LED Modules		
R DU CO DE	DESCRIPTION CO DE	PRODUCT DESCRIPTION	PRODUCT CO DE	DESCRIPTION CO DE	PRODUCT DESCRIPTION
93079190 93079191	DI4RLL101V10HOG2 DI4RLL102V10HOG2	4" Round Housing-Only, 120V, 1000lm, 0-10V Gen2 4" Round Housing-Only, 277V, 1000lm, 0-10V Gen2	93064853 93064854	MLT35A MLT40A	1000lm, 90 CRI, 3500K 1000lm, 90 CRI, 4000K
93078862 93078863	DI4RLL1V10HO DI4RLL2V10HO	4" Round Housing-Only, 120V, 0-10V, 1500lm 4" Round Housing-Only, 277V, 0-10V, 1500lm	19441 19445 19485 19492	DLM1500/927 DLM1500/930 DLM1500/935 DLM1500/940	1500 LM, 90 CRI, 2700K 1500 LM, 90 CRI, 3000K 1500 LM, 90 CRI, 3500K 1500 LM, 90 CRI, 4000K
93079194 93079195	DI4RLL201V10HOG2 DI4RLL202V10HOG2	4" Round Housing-Only, 120V, 2000lm, 0-10V Gen2 4" Round Housing-Only, 277V, 2000lm, 0-10V Gen2	93064853 93064854	MLT35A MLT40A	2000 LM, 90 CRI, 3500K 2000 LM, 90 CRI, 4000K
93040522 93040523	DI4RHL1V10HO DI4RHL2V10HO	4" Round Housing-Only, 120V, 0-10V, 3000lm 4" Round-Housing-Only, 277V, 0-10V, 3000lm	19529 19575 19595 34178	DLM3000/927 DLM3000/930 DLM3000/935 DLM3000/940	3000 LM, 90 CRI, 2700K 3000 LM, 90 CRI, 3000K 3000 LM, 90 CRI, 3500K 3000 LM, 90 CRI, 4000K
93103507 93103508	DI4RHL401V10HOG2 DI4RHL402V10HOG2	4" Round Housing-Only, 120V, 4000lm, 0-10V Gen2 4" Round Housing-Only, 277V, 4000lm, 0-10V Gen2		MHT35A MHT40A	4000 LM, 90 CRI, 3500K 4000 LM, 90 CRI, 4000K

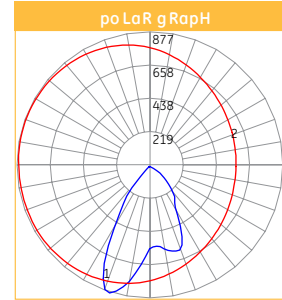
## 4" Round stocked Reflectors

pRo DUct co DE	DEscRiptIon co DE	pRo DUct DEscRiptIon
93984	RD14RWSDMR	4" Round Reflector, Wide Distribution, Semi-Diffuse, Polished Flange
93985	RD14RWSDWT	4" Round Reflector, Wide Distribution, Semi-Diffuse, White Flange
86022	RD14RWPTWTWT	4" Round Reflector, Wide Distribution, Semi-Diffuse, All-White Painted
93027440	RD14RWSDMRWR	4" Round Reflector, Wide Distribution, Semi-Diffuse, Polished Flange Wet Rated
93027441	RD14RWSDWTWR	4" Round Reflector, Wide Distribution, Semi-Diffuse, White Flange Wet Rated
93030441	RD14RWPTWTWTWR	4" Round Reflector, Wide Distribution, Semi-Diffuse, All-White Painted Wet Rated
208944	RD14RWSDMR	4" Wall Wash Reflector, Wide Distribution, Semi-Diffuse, Polished Flange
208945	RD14RWSDWT	4" Wall Wash Round Reflector, Wide Distribution, Semi-Diffuse, Polished Flange
208954	RD14RWPTWTWT	4" Wall Wash Round Reflector, Wide Distribution, All-White Painted
93042010	RD14RWSDWTAG	4" Round, Wide, Semi-Diffuse, White Flange w/Decorative Drop Ring
93042011	RD14RWSDMRAG	4" Round, Wide, Semi-Diffuse, Polished Flange w/Decorative Drop Ring
93042012	RD14RWPTWTWTAG	4" Round, Wide, All-White Painted w/Decorative Drop Ring

# Photometric Data: Lumination™ DI4R Wall Wash

## DI4R10XXX\_RDIRWWSPXX.IES

Rc	coEFFiciEnts of Utilization																				
	80%				70%				50%				30%				10%				0%
	70%	50%	30%	10%	70%	50%	30%	10%	50%	30%	10%	50%	30%	10%	50%	30%	10%	0%			
0	119	119	119	119	116	116	116	116	111	111	111	106	106	106	102	102	102	100			
1	113	110	107	105	110	108	105	103	103	102	100	100	98	97	96	95	94	92			
2	106	101	97	93	104	99	95	92	96	93	90	93	90	88	90	88	86	84			
3	100	93	88	83	98	92	87	83	89	85	81	87	83	80	84	81	79	77			
4	94	86	80	75	93	85	79	75	83	78	74	81	76	73	79	75	72	70			
5	89	80	73	69	87	79	73	68	77	72	68	75	71	67	74	70	66	65			
6	84	74	68	63	82	73	67	63	72	66	62	70	65	62	69	65	61	60			
7	79	69	62	58	78	68	62	58	67	61	57	66	61	57	65	60	57	55			
8	75	65	58	53	74	64	58	53	63	57	53	62	57	53	61	56	53	51			
9	71	60	54	50	70	60	54	50	59	53	49	58	53	49	57	52	49	47			
10	67	57	50	46	66	56	50	46	55	50	46	55	49	46	54	49	46	44			



Effective Floor cavity Reflectance 0.20

zona L LUMEn sUMMaRy			
zone	Lumens	% of Lamp	% of Fixture
0-20	263.52	N.A.	30.00
0-30	541.63	N.A.	61.70
0-40	731.26	N.A.	83.30
0-60	860.41	N.A.	98.00
0-80	875.79	N.A.	99.80
0-90	875.92	N.A.	99.80

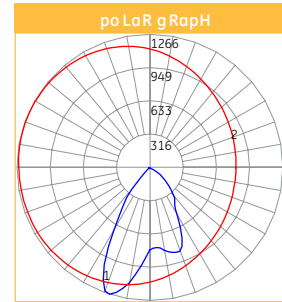
LUMInanc E Data (cD/sQ.M)			
angle in Degrees	0°	45°	90°
45°	27051	26073	9413
55°	17234	16252	4493
65°	6052	6356	1612
75°	458	534	229
85°	113	113	0

zona L LUMEn sUMMaRy	
zone	Lumens
0-10	58.58
10-20	204.93
20-30	278.12
30-40	189.63
40-50	89.95
50-60	39.20

total Luminaire Efficiency = N.A.%

## DI4R15XXX\_RDIRWWSDXX.IES

Rc	coEFFiciEnts of Utilization																				
	80%				70%				50%				30%				10%				0%
	70%	50%	30%	10%	70%	50%	30%	10%	50%	30%	10%	50%	30%	10%	50%	30%	10%	0%			
0	119	119	119	119	116	116	116	116	111	111	111	106	106	106	102	102	102	100			
1	113	110	107	105	110	108	105	103	104	102	100	100	98	97	96	95	94	92			
2	107	101	97	93	104	99	95	92	96	93	90	93	90	88	90	88	86	84			
3	100	93	88	83	98	92	87	83	89	85	81	87	83	80	84	81	79	77			
4	95	86	80	76	93	85	79	75	83	78	74	81	77	73	79	75	72	71			
5	89	80	74	69	87	79	73	68	77	72	68	75	71	67	74	70	67	65			
6	84	74	68	63	83	74	67	63	72	66	62	70	66	62	69	65	61	60			
7	79	69	63	58	78	69	62	58	67	62	58	66	61	57	65	60	57	55			
8	75	65	58	54	74	64	58	54	63	57	53	62	57	53	61	56	53	51			
9	71	61	54	50	70	60	54	50	59	53	50	58	53	49	57	53	49	48			
10	67	57	51	46	66	56	50	46	56	50	46	55	50	46	54	49	46	44			



Effective Floor cavity Reflectance 0.20

zona L LUMEn sUMMaRy			
zone	Lumens	% of Lamp	% of Fixture
0-20	392.48	N.A.	30.30
0-30	801.30	N.A.	61.80
0-40	1083.61	N.A.	83.60
0-60	1272.57	N.A.	98.20
0-80	1292.86	N.A.	99.80
0-90	1293.11	N.A.	99.80

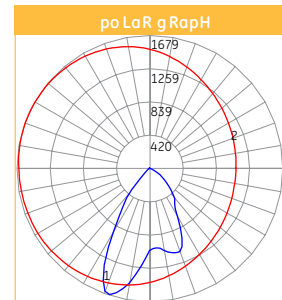
LUMInanc E Data (cD/sQ.M)			
angle in Degrees	0°	45°	90°
45°	50090	44400	15825
55°	30382	24113	4954
65°	9847	7795	1547
75°	826	777	437
85°	289	433	144

zona L LUMEn sUMMaRy	
zone	Lumens
0-10	88.77
10-20	303.71
20-30	408.82
30-40	282.31
40-50	133.62
50-60	55.35

total Luminaire Efficiency = N.A.%

## DI4R20XXX\_RDIRWWSDXX.IES

Rc	coEFFiciEnts of Utilization																				
	80%				70%				50%				30%				10%				0%
	70%	50%	30%	10%	70%	50%	30%	10%	50%	30%	10%	50%	30%	10%	50%	30%	10%	0%			
0	119	119	119	119	116	116	116	116	111	111	111	106	106	106	102	102	102	100			
1	113	110	107	105	110	108	105	103	104	102	100	100	98	97	96	95	94	92			
2	107	101	97	93	104	99	95	92	96	93	90	93	90	88	90	88	86	84			
3	100	93	88	83	98	92	87	83	89	85	81	87	83	80	84	81	79	77			
4	95	86	80	76	93	85	79	75	83	78	74	81	77	73	79	75	72	71			
5	89	80	74	69	87	79	73	68	77	72	68	75	71	67	74	70	67	65			
6	84	74	68	63	83	74	67	63	72	66	62	70	66	62	69	65	61	60			
7	79	69	63	58	78	69	62	58	67	62	58	66	61	57	65	60	57	55			
8	75	65	58	54	74	64	58	54	63	57	53	62	57	53	61	56	53	51			
9	71	61	54	50	70	60	54	50	59	53	50	58	53	49	57	53	49	48			
10	67	57	51	46	66	56	50	46	56	50	46	55	50	46	54	49	46	44			



Effective Floor cavity Reflectance 0.20

zona L LUMEn sUMMaRy			
zone	Lumens	% of Lamp	% of Fixture
0-20	520.52	N.A.	30.30
0-30	1062.72	N.A.	61.80
0-40	1437.13	N.A.	83.60
0-60	1687.75	N.A.	98.20
0-80	1714.65	N.A.	99.80
0-90	1714.96	N.A.	99.80

LUMInanc E Data (cD/sQ.M)			
angle in Degrees	0°	45°	90°
45°	66430	58891	20982
55°	40290	31982	6576
65°	13061	10353	2053
75°	1069	1020	583
85°	433	577	144

zona L LUMEn sUMMaRy	
zone	Lumens
0-10	117.73
10-20	402.79
20-30	542.19
30-40	374.42
40-50	177.21
50-60	73.40

total Luminaire Efficiency = N.A.%

# Photometric Data: Lumination™ DI4R Series Downlights

## Wide Distribution

coEFFiciEnts oF UtilizatiOn																					
Rc	80%				70%				50%				30%				10%				0%
RW	70%	50%	30%	10%	70%	50%	30%	10%	50%	30%	10%	50%	30%	10%	50%	30%	10%	0%			
0	119	119	119	119	116	116	116	116	111	111	111	106	106	106	102	102	102	100			
1	113	111	108	106	111	108	106	104	104	102	101	101	99	98	97	96	95	93			
2	108	103	98	95	105	101	97	94	98	95	92	95	92	90	92	90	88	86			
3	102	95	90	86	100	94	89	86	91	87	84	89	86	83	87	84	82	80			
4	97	89	83	79	95	88	82	78	86	81	77	84	80	77	82	78	76	74			
5	91	83	77	73	90	82	76	72	80	75	72	78	74	71	77	73	70	69			
6	87	78	71	67	85	77	71	67	75	70	66	74	69	66	72	68	65	64			
7	82	73	66	62	81	72	66	62	71	65	62	69	65	61	68	64	61	60			
8	78	68	62	58	77	68	62	58	67	61	57	65	61	57	65	60	57	56			
9	74	64	58	54	73	64	58	54	63	57	54	62	57	54	61	57	53	52			
10	70	61	55	51	69	60	54	51	59	54	50	58	54	50	58	53	50	49			

note: Floor Cavity Reflectance : 20%

### canDLepoWER sUMMaRy

angle	no MIna L Mo DULE LUMEns		
	1000	1500	2000
0	697	1029	1394
5	730	1077	1459
10	782	1154	1563
15	825	1217	1649
20	817	1206	1634
25	703	1038	1406
30	515	760	1030
35	334	492	667
40	200	296	401
45	88	130	176
50	28	42	57
55	12	17	24
60	6	9	13

### conDLepoWER sUMMaRy

Height	no MIna L Mo DULE LUMEns			
	fc	fc	fc	Dia. (ft.)
6'	19	29	39	6.9
8'	11	16	22	9.2
10'	7	10	14	11.5
12'	5	7	10	13.9
14'	4	5	7	16.2
16'	3	4	5	18.5
18'	2	3	4	20.8
20'	2	3	3	23.1

### zonal LUMEn sUMMaRy

zone	no MIna L Mo DULE LUMEns			
	Lumens	Lumens	Lumens	% of Fixture
0 - 30°	597	881	1194	69.1
0 - 40°	788	1163	1576	91.1
0 - 60°	860	1269	1719	99.4
0 - 90°	865	1277	1730	100

### appliCation REFEREnc E (open space)

spacing	no MIna L Mo DULE LUMEns					
	1000		1500		2000	
	avg. fc	W/ft²	avg. fc	W/ft²	avg. fc	W/ft²
4' x 4'	54.5	1.08	80.4	1.50	-	-
6' x 6'	25.5	0.50	37.6	0.70	50.9	0.90
8' x 8'	13.7	0.27	20.1	0.38	27.3	0.48
10' x 10'	9.1	0.18	13.4	0.25	18.2	0.32

10' ceiling, Open Space: 50' x 40' x 10'

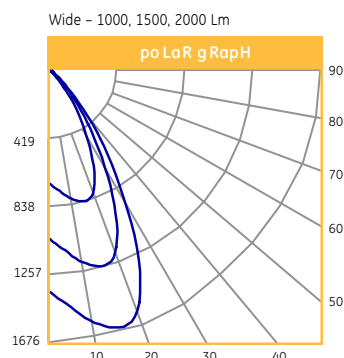
LLF: 1.0 Initial, 80/50/20 Reflectances, 2.5' workplane

### appliCation REFEREnc E (corridor)

spacing	no MIna L Mo DULE LUMEns					
	1000		1500		2000	
	avg. fc	W/ft²	avg. fc	W/ft²	avg. fc	W/ft²
4' on ctr.	23.5	0.75	34.6	1.04	46.9	1.33
6' on ctr.	16.0	0.51	23.5	0.71	31.9	0.91
8' on ctr.	11.3	0.36	16.6	0.50	22.5	0.64
10' on ctr.	9.4	0.30	13.9	0.42	18.8	0.53

10' ceiling, Corridor: 6' W x 100' L

LLF: 1.0 Initial, 80/50/20 Reflectances, Light levels on the ground



## Spacing Criteria: DI4R - Wide = 1.14

## Product Specifications:

### construction:

- 16 gauge galvanized steel housing
- 16 gauge reflectors resist dents during transportation and installation
- Custom engineered heat sinks for passive cooling at all lumen options
- Galvanized steel junction box with multiple knockouts

### Installation:

- Universal mounting brackets with over 3" of vertical adjustment accommodate several types of hanger bars
- Accommodates ceilings up to 1.5" thick
- Mount in T-bar grid or drywall ceilings
- LED module twists in at time of trim installation, preventing damage to module during ceiling installation

### optical system:

- Custom engineered reflectors for precise beam distributions and 45° cutoff to light source and source image
- Self-flanged design with white painted or reflector-matching trim
- Standard semi-diffuse finish for ideal combination of optical efficiency and low glare

### Electrical system:

- LED module provides exceptional performance and tool-free upgradeability
- Standard 0-10V dimming, high efficiency drivers
- Thermal protection feature in module protects LEDs from overheating in abnormal conditions

For more information and access to all of our resources, including our design tool visit: [www.gelighting.com](http://www.gelighting.com)



All trademarks are the property of their respective owners. Information provided is subject to change without notice. All values are design or typical values when measured under laboratory conditions. Current, powered by GE is a business of the General Electric Company. © 2017 GE.

