

# Lumination™ LED Luminaires

LED Downlight Architectural Series  
DI6R - 6" Round Aperture



Project name \_\_\_\_\_

Date \_\_\_\_\_

Type \_\_\_\_\_

## Product Description:


Lumination DI Series LED downlights are powered by the downlight module for exceptional efficacy and color rendering. Designed for new construction applications, the DI6R is available in four color temperatures and five lumen packages, all with 90+ CRI. Matching custom engineered reflectors ensure a 45 degree cutoff. The twist-in LED module allows for tool-free replacement and upgrade as LED technology advances, ensuring the lowest total cost of ownership.

## Performance Summary:

**Distribution Patterns:** Narrow 37°, Wide 54° & Very Wide 72°  
**Input Voltage:** 120, 277V, 347V  
**Dimming Options:** 0-10V, Phase Dimming, Lutron, Dali or Daintree to 10%  
**CCT:** 2700K, 3000K, 3500K, 4000K  
**CRI:** 90  
**Color Consistency:** 4 Step MacAdam Ellipse  
**Lifetime Rating:** L85 @ 50,000 Hrs  
**Input Frequency (Hz):** 60Hz  
**Power Factor:** >0.9  
**Mounting Options:** Hanger bars for grid or drywall ceilings  
**Weight:** 6.1 lb  
**IC Rating:** Non-IC Rated  
**Limited Warranty:** 5 years system  
**Files Available:** LM79, LM80, IES, Revit

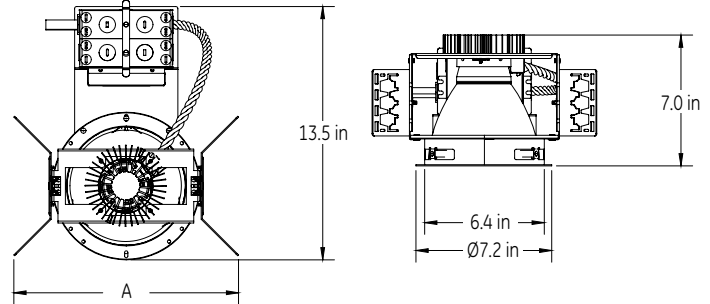
Nominal Module Lumens	1000	1500	2000	3000	4000
Delivered Lumen Output	870	1290	1750	2620	3426
System Input Power (W)	14	20	25	38	51
System Efficacy (LPW)	62	66	70	69	67
Emergency Mode Lumens	630	630	630	630	630

Daintree driver adds 1.4 Watts to System Input Power (W).

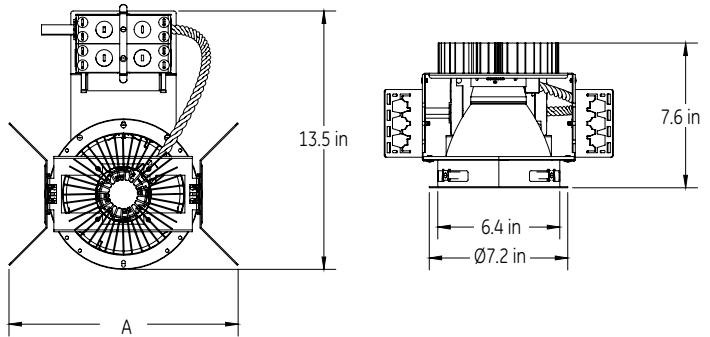
- Listings:  • UL and cUL Listed.  
 • Suitable for damp locations.  
 • Wet Rated options available.

## Product Dimensions:

DI6R (1000, 1500, 2000 lm)



DI6R (3000, 4000 lm)



Driver Option	Dimension 'A'
10; PH; LU	12.0 in
TQ; DL	14.8 in



## Ordering Information: A complete fixture consists of a Housing + Reflector

For shortest lead times, order **standard reflector options shown in bold**.

### 1. Housing - Example: DI6R209351V10

**D I**   **6 R**   **9**   **V**

LUMINAIRE SKU							
INTERNAL CODE	FIXTURE TYPE	MODULE LUMEN OUTPUT	CRI/CCT	VOLTAGE	DRIVER	OPTIONS	GENERATION
DI	6R = 6" Round Downlight	<b>10</b> = 1000 LM* <b>15</b> = 1500 LM <b>20</b> = 2000 LM* <b>30</b> = 3000 LM <b>40</b> = 4000 LM*	<b>927</b> = 90CRI, 2700K <b>930</b> = 90CRI, 3000K <b>935</b> = 90CRI, 3500K <b>940</b> = 90CRI, 4000K	<b>1V</b> = 120V <b>2V<sup>a</sup></b> = 277V <b>3V</b> = 347V	<b>10</b> = 0-10V Dimming Driver <b>PH<sup>6</sup></b> = Phase Dimming <b>LU<sup>6</sup></b> = Lutron EcoSystem <b>TQ<sup>7</sup></b> = Daintree <b>DL<sup>8</sup></b> = Dali	<b>(blank)</b> = None <b>EL<sup>4,5</sup></b> = Bodine Emergency Backup with Remote Test Switch <b>H</b> = CCEA Chicago Plenum	<b>(blank)</b> = None <b>G2</b> = Gen 2 fixture*  <b>*NOTE:</b> 1000lm, 2000lm, 4000lm 3500K must order G2 option

### 2. Reflector - Example: RD16RWSDWT

**R**   **D I 6 R**

REFLECTOR SKU						
REFLECTOR	HOUSING TYPE	BEAM SPREAD	REFLECTOR FINISH	REFLECTOR COLOR	FLANGE FINISH	LENS OPTIONS
R = Reflector	DI6R = 6" Round	<b>W</b> = Wide <b>N</b> = Narrow <b>V</b> = Very Wide <b>WW</b> = Wall Wash <b>(NOTE:</b> wall wash available only in configurations shown below)	<b>SD</b> = Semi-diffused <b>DF</b> = Diffused <b>SP</b> = Specular <b>PT</b> = Painted	<b>Blank</b> = Clear (no color) <b>WE<sup>1</sup></b> = Wheat <b>PW<sup>1</sup></b> = Pewter <b>GO<sup>1</sup></b> = Gold <b>BL<sup>2</sup></b> = Black <b>WT<sup>3</sup></b> = White Paint	<b>WT</b> = White Paint <b>MR</b> = Match Reflector	<b>(blank)</b> = No Lens <b>WR</b> = Wet Rated (clear and white paint only) <b>AG</b> = Frosted Decorative Drop Ring (See available configurations below)

## Accessories

ACCESSORIES	DESCRIPTION CODE	PRODUCT CODE
C-Channel Bar Hangers 25 1/4"	BH3	94890

### Ordering Notes:

- Wheat, pewter, and gold anodized reflector colors available in SD = Semi-Diffuse reflector finish only.
  - Black anodized reflectors available in DF = Diffused finish only.
  - White Painted reflectors only available in PT = Painted reflector finish and WT = White Paint flange finish.
  - @277V input, 1000lm version and all EL options are not Energy Star certified.
  - EL option only available with "10" 0-10V driver option and 1V & 2V voltage options.
  - Phase dimming only available with 1000, 1500, and 2000 lumen packages. Lutron Ecosystem only available with 1000, 1500, and 2000 lumen packages.
  - Daintree driver not available with 347V input voltage, EL option and/or H=CCEA option.
  - Dali driver not available with 347V input voltage, EL option and/or H=CCEA option.
- Note:** 5% less lumens when using anti-glare reflectors.

**current**  
powered by GE



## Housing-Only Option

Lumination DI series fixtures without LED modules are stocked in GE distribution centers for quick shipment. These fixtures can be shipped directly to job sites for rough-in, and then later fitted with the appropriate Infusion LED module and trim kit to complete the installation. The unprecedented interchangeability and flexibility of the Infusion LED module makes this possible.

**With the Housing-Only option, distributors can:**

- Order just the housings for stock, and then complete the order with the appropriate Infusion LED module and reflector at a later date
- Order the stocked housing, module, and reflector all at once for a complete fixture in under 2 weeks

For the housing-only option: A complete fixture consists of a **Housing + LED Module + Reflector**



## 6" Round Housing-Only Fixtures & LED Modules

Downlight Housing-Only			Compatible LED Modules		
PRODUCT CODE	DESCRIPTION CODE	PRODUCT DESCRIPTION	PRODUCT CODE	DESCRIPTION CODE	PRODUCT DESCRIPTION
<b>93079196</b> <b>93079197</b>	DI6RLL101V10HOG2 DI6RLL102V10HOG2	6" Round Housing-Only, 120V, 1000lm, 0-10V Gen2 6" Round Housing-Only, 277V, 1000lm, 0-10V Gen2	<b>93064853</b> <b>93064854</b>	MLT35A MLT40A	1000lm, 90 CRI, 3500K 1000lm, 90 CRI, 4000K
<b>93079186</b> <b>93079187</b>	DI6RLL1V10HO DI6RLL2V10HO	6" Round Housing-Only, 120V, 0-10V, 1500lm 6" Round Housing-Only, 277V, 0-10V, 1500lm	<b>19441</b> <b>19445</b> <b>19485</b> <b>19492</b>	DLM1500/927 DLM1500/930 DLM1500/935 DLM1500/940	1500 LM, 90 CRI, 2700K 1500 LM, 90 CRI, 3000K 1500 LM, 90 CRI, 3500K 1500 LM, 90 CRI, 4000K
<b>93079200</b> <b>93079201</b>	DI6RLL201V10HOG2 DI6RLL202V10HOG2	6" Round Housing-Only, 120V, 2000lm, 0-10V Gen2 6" Round Housing-Only, 277V, 2000lm, 0-10V Gen2	<b>93064853</b> <b>93064854</b>	MLT35A MLT40A	2000 LM, 90 CRI, 3500K 2000 LM, 90 CRI, 4000K
<b>83633</b> <b>83638</b>	DI6RHL1V10HO DI6RHL2V10HO	6" Round Housing-Only, 120V, 0-10V, 3000lm 6" Round Housing-Only, 277V, 0-10V, 3000lm	<b>19529</b> <b>19575</b> <b>19595</b> <b>34178</b>	DLM3000/927 DLM3000/930 DLM3000/935 DLM3000/940	3000 LM, 90 CRI, 2700K 3000 LM, 90 CRI, 3000K 3000 LM, 90 CRI, 3500K 3000 LM, 90 CRI, 4000K
<b>93103511</b> <b>93103512</b>	DI6RHL401V10HOG2 DI6RHL402V10HOG2	6" Round Housing-Only, 120V, 4000lm, 0-10V Gen2 6" Round Housing-Only, 277V, 4000lm, 0-10V Gen2	<b>93104259</b> <b>93104260</b>	MHT35A MHT40A	4000 LM, 90 CRI, 3500K 4000 LM, 90 CRI, 4000K

## 6" Round Stocked Reflectors

PRODUCT CODE	DESCRIPTION CODE	PRODUCT DESCRIPTION
<b>93988</b>	RD16RNSDMR	6" Round Reflector, Narrow Distribution, Semi-Diffuse, Polished Flange
<b>93989</b>	RD16RNSDWT	6" Round Reflector, Narrow Distribution, Semi-Diffuse, White Flange
<b>93990</b>	RD16RWSDMR	6" Round Reflector, Wide Distribution, Semi-Diffuse, Polished Flange
<b>93991</b>	RD16RWSDWT	6" Round Reflector, Wide Distribution, Semi-Diffuse, White Flange
<b>87454</b>	RD16RWPTWTWT	6" Round Reflector, Wide Distribution, All-White Painted
<b>93027244</b>	RD16RVSDMR	6" Round Reflector, Very Wide Distribution, Semi-Diffuse, Polished Flange
<b>93027245</b>	RD16RVSDWT	6" Round Reflector, Very Wide Distribution, Semi-Diffuse, White Flange
<b>93027438</b>	RD16RWSDMRWR	6" Round Reflector, Wide Distribution, Semi-Diffuse, Polished Flange Wet Rated
<b>93027439</b>	RD16RWSDWTWR	6" Round Reflector, Wide Distribution, Semi-Diffuse, White Flange Wet Rated
<b>93030441</b>	RD16RWPTWTWTWR	6" Round Reflector, Wide Distribution, All-White Painted, Wet Rated
<b>16182</b>	RD16RWSDWT	6" Wall Wash Round Reflector, Wide Distribution, Semi-Diffuse, White Flange
<b>16181</b>	RD16RWSDMR	6" Wall Wash Round Reflector, Wide Distribution, Semi-Diffuse, Polished Flange
<b>93042014</b>	RD16RNSDMRAG	6" Round, Narrow, Semi-Diffuse, Polished Flange w/Decorative Drop Ring
<b>93042013</b>	RD16RNSDWTAG	6" Round, Narrow, Semi-Diffuse, White Flange w/Decorative Drop Ring
<b>93042015</b>	RD16RNPTWTWTAG	6" Round, Narrow, All-White Painted w/Decorative Drop Ring

# Photometric Data: Lumination™ DI6R Series Downlights

## Narrow Distribution

COEFFICIENTS OF UTILIZATION																										
RC	80%					70%					50%					30%					10%					0%
	RW	70%	50%	30%	10%	70%	50%	30%	10%	50%	30%	10%	50%	30%	10%	50%	30%	10%	50%	30%	10%	0%				
0	119	119	119	119	116	116	116	116	111	111	111	111	106	106	106	102	102	102	102	102	102	100				
1	114	112	109	107	112	110	108	106	106	104	102	102	101	99	98	97	97	95	95	93	91	90				
2	109	105	101	98	107	103	100	97	100	98	95	97	95	93	95	93	95	93	91	90	90	90				
3	105	99	95	91	103	98	94	91	95	92	89	93	90	88	91	88	86	85	85	85	85	85				
4	100	94	89	85	99	93	88	85	91	87	84	89	85	83	87	84	82	81	81	81	81	81				
5	96	89	84	80	95	88	83	80	86	82	79	85	81	78	83	80	78	76	76	76	76	76				
6	92	85	79	76	91	84	79	75	82	78	75	81	77	74	80	77	74	73	73	73	73	73				
7	89	81	75	72	87	80	75	72	79	74	71	78	74	71	77	73	70	69	69	69	69	69				
8	85	77	72	68	84	76	71	68	75	71	68	74	70	67	73	70	67	66	66	66	66	66				
9	82	73	68	65	81	73	68	65	72	68	65	71	67	64	71	67	64	63	63	63	63	63				
10	79	70	65	62	78	70	65	62	69	65	62	68	64	62	68	64	61	60	60	60	60	60				

NOTE: Floor Cavity Reflectance : 20%

### CANDLEPOWER SUMMARY

Angle	NOMINAL MODULE LUMENS				
	1000	1500	2000	3000	4000
0	1841	2717	3682	5523	7227
5	1698	2507	3397	5095	6668
10	1389	2050	2777	4166	5452
15	1101	1625	2202	3303	4323
20	833	1229	1665	2498	3268
25	601	887	1202	1803	2359
30	347	512	694	1041	1362
35	148	218	295	443	580
40	56	83	113	169	222
45	17	26	35	52	68
50	9	14	18	27	36
55	5	8	11	16	21
60	3	5	7	10	14

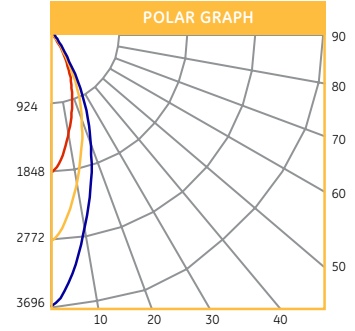
### ZONAL LUMEN SUMMARY

Zone	NOMINAL MODULE LUMENS					% of Fixture
	1000	1500	2000	3000	4000	
0 - 30°	716	1057	1432	2148	2811	85.7
0 - 40°	812	1198	1623	2435	3186	97.2
0 - 60°	832	1227	1663	2495	3264	99.6
0 - 90°	835	1232	1670	2505	3278	100

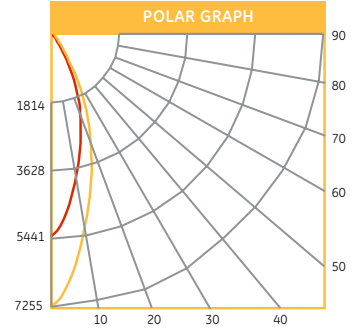
### CONE OF LIGHT

Height	NOMINAL MODULE LUMENS					Dia. (ft.)
	1000	1500	2000	3000	4000	
6'	51	75	102	153	201	3.9
8'	29	42	58	86	113	5.2
10'	18	27	37	55	72	6.5
12'	13	19	26	38	50	7.8
14'	9	14	19	28	37	9.1
16'	7	11	14	22	28	10.4
18'	6	8	11	17	22	11.7
20'	5	7	9	14	18	13.0

Narrow - 1000, 1500, 2000 Lm



Narrow - 3000, 4000 Lm



### APPLICATION REFERENCE (Open Space)

Spacing	NOMINAL MODULE LUMENS									
	1000		1500		2000		3000		4000	
4' x 4'	53.6	1.08	79.0	1.50	107.1	1.92	141.5	2.58	185.1	3.36
6' x 6'	25.0	0.50	36.9	0.70	50.0	0.90	66.0	1.20	86.4	1.57
8' x 8'	13.4	0.27	19.8	0.38	26.8	0.48	35.4	0.65	46.3	0.84
10' x 10'	8.9	0.18	13.1	0.25	17.8	0.32	23.6	0.43	30.8	0.56

10' ceiling, Open Space: 50' x 40' x 10'

20' ceiling, Open Space: 50' x 40' x 20'

### APPLICATION REFERENCE (Corridor)

Spacing	NOMINAL MODULE LUMENS									
	1000		1500		2000		3000		4000	
4' on ctr.	25.8	0.75	38.1	1.04	51.6	1.33	55.2	1.79	72.2	2.33
6' on ctr.	17.6	0.51	25.9	0.71	35.1	0.91	37.5	1.22	49.1	1.59
8' on ctr.	12.4	0.36	18.3	0.50	24.8	0.64	26.4	0.86	34.5	1.12
10' on ctr.	10.3	0.30	15.2	0.42	20.6	0.53	22.1	0.72	28.9	0.93

10' ceiling, Corridor: 6' W x 100' L

20' ceiling, Corridor: 6' W x 100' L

LLF: 1.0 Initial, 80/50/20 Reflectances, Light levels on the ground

Spacing Criteria: DI6R - Narrow = 0.58

# Photometric Data: Lumination™ DI6R Series Downlights

## Wide Distribution

COEFFICIENTS OF UTILIZATION																			
RC	80%					70%				50%			30%			10%			0%
	RW	70%	50%	30%	10%	70%	50%	30%	10%	50%	30%	10%	50%	30%	10%	50%	30%	10%	0%
0	119	119	119	119	119	116	116	116	116	111	111	111	106	106	106	102	102	102	100
1	114	111	109	107	111	109	107	105	105	103	102	101	100	99	98	97	96	94	94
2	108	104	100	97	106	102	99	96	99	96	94	96	94	92	93	91	90	88	88
3	103	97	93	89	101	96	92	88	93	90	87	91	88	85	89	86	84	82	82
4	98	91	86	82	97	90	85	82	88	84	81	86	83	80	84	81	79	77	77
5	94	86	80	76	92	85	80	76	83	79	75	82	78	75	80	77	74	73	73
6	89	81	75	71	88	80	75	71	79	74	71	77	73	70	76	72	70	68	68
7	85	77	71	67	84	76	71	67	75	70	66	73	69	66	72	69	66	64	64
8	82	72	67	63	80	72	67	63	71	66	63	70	65	62	69	65	62	61	61
9	78	69	63	59	77	68	63	59	67	62	59	66	62	59	66	62	59	57	57
10	75	65	60	56	74	65	60	56	64	59	56	63	59	56	63	59	56	54	54

NOTE: Floor Cavity Reflectance : 20%

### CANDLEPOWER SUMMARY

Angle	NOMINAL MODULE LUMENS				
	1000	1500	2000	3000	4000
0	1088	1606	2177	3265	4273
5	1067	1574	2133	3200	4188
10	1007	1486	2014	3021	3953
15	925	1366	1850	2776	3632
20	818	1207	1636	2453	3211
25	670	989	1340	2010	2630
30	433	639	866	1299	1699
35	213	314	426	639	836
40	94	139	188	282	368
45	37	55	74	111	145
50	19	29	39	58	76
55	11	16	22	33	43
60	6	9	13	19	25

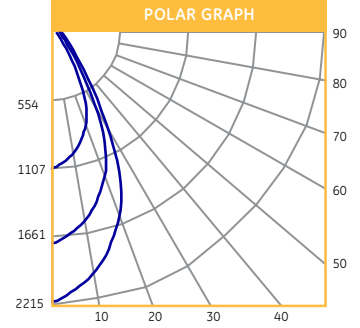
### ZONAL LUMEN SUMMARY

Zone	NOMINAL MODULE LUMENS					% of Fixture
	1000	1500	2000	3000	4000	
0 - 30°	651	961	1302	1953	2556	78.9
0 - 40°	782	1153	1563	2345	3068	94.8
0 - 60°	820	1210	1640	2460	3219	99.4
0 - 90°	825	1218	1650	2475	3239	100

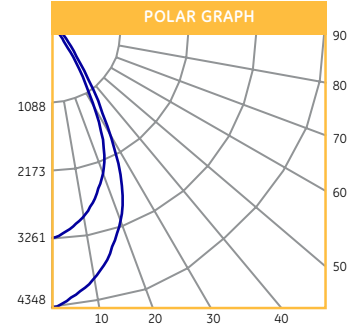
### CONE OF LIGHT

Height	NOMINAL MODULE LUMENS					Dia. (ft.)
	1000	1500	2000	3000	4000	
6'	30	45	60	91	119	6.2
8'	17	25	34	51	67	8.2
10'	11	16	22	33	43	10.3
12'	8	11	15	23	30	12.3
14'	6	8	11	17	22	14.4
16'	4	6	9	13	17	16.4
18'	3	5	7	10	13	18.5
20'	3	4	5	8	11	20.6

Wide - 1000, 1500, 2000 Lm



Wide - 3000, 4000 Lm



### APPLICATION REFERENCE (Open Space)

Spacing	NOMINAL MODULE LUMENS									
	1000		1500		2000		3000		4000	
	Avg. fc	W/ft²	Avg. fc	W/ft²	Avg. fc	W/ft²	Avg. fc	W/ft²	Avg. fc	W/ft²
4' x 4'	52.4	1.08	77.3	1.50	104.7	1.92	135.9	2.58	177.8	3.36
6' x 6'	24.5	0.50	36.1	0.70	48.9	0.90	63.5	1.20	83.0	1.57
8' x 8'	13.1	0.27	19.3	0.38	26.2	0.48	34.1	0.65	44.6	0.84
10' x 10'	8.8	0.18	12.9	0.25	17.5	0.32	22.7	0.43	29.6	0.56

10' ceiling, Open Space: 50' x 40' x 10'      20' ceiling, Open Space: 50' x 40' x 20'

LLF: 1.0 Initial, 80/50/20 Reflectances, 2.5' workplane

### APPLICATION REFERENCE (Corridor)

Spacing	NOMINAL MODULE LUMENS									
	1000		1500		2000		3000		4000	
	Avg. fc	W/ft²	Avg. fc	W/ft²	Avg. fc	W/ft²	Avg. fc	W/ft²	Avg. fc	W/ft²
4' on ctr.	23.9	0.75	35.2	1.04	47.7	1.33	48.0	1.79	62.8	2.33
6' on ctr.	16.2	0.51	23.9	0.71	32.4	0.91	32.6	1.22	42.6	1.59
8' on ctr.	11.5	0.36	16.9	0.50	22.9	0.64	23.0	0.86	30.0	1.12
10' on ctr.	9.6	0.30	14.1	0.42	19.1	0.53	19.2	0.72	25.1	0.93

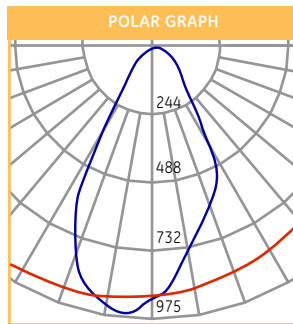
10' ceiling, Corridor: 6' W x 100' L      20' ceiling, Corridor: 6' W x 100' L

LLF: 1.0 Initial, 80/50/20 Reflectances, Light levels on the ground

## Spacing Criteria: DI6R - Wide =.90

# Photometric Data: Lumination™ DI6R Wall Wash Downlights

## 1000 Lumen LED Module



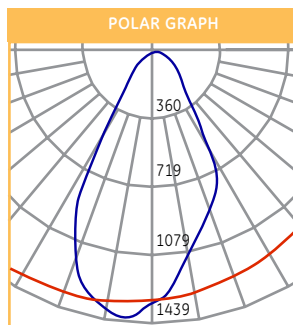
## Candlepower Summary

Angle	Candela	Zone Lumens
0	621	
5	652	
10	647	57
20	546	149
30	232	175
40	30	90
50	5	40
60	4	25
70	2	10
80	0	1
90	0	-

## Multiple Unit Foot-Candles

Distance from ceiling in feet	2' from wall						3' from wall					
	2'		3'		3'		3'		4'			
	1	2	1	2	1	2	1	2	1	2		
1	18	18	18	13	12	13	5	5	5	4	4	4
2	24	24	24	17	16	17	10	10	10	8	8	8
3	22	22	22	16	16	16	11	11	11	9	9	9
4	19	20	19	14	14	14	11	11	11	9	8	9
5	15	16	15	12	12	12	10	11	10	8	8	8
6	12	13	12	10	10	10	9	10	9	7	8	7
7	10	10	10	8	8	8	8	9	8	7	7	7
8	8	8	8	6	6	6	7	8	7	6	7	6
9	7	7	7	6	6	6	7	7	7	6	6	6
10	6	6	6	5	5	5	6	6	6	5	5	5

## 1500 Lumen LED Module



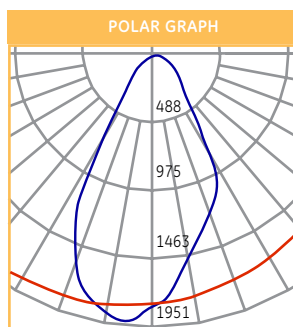
## Candlepower Summary

Angle	Candela	Zone Lumens
0	927	
5	973	
10	966	85
20	815	223
30	346	261
40	44	134
50	8	59
60	6	38
70	2	15
80	0	2
90	0	-

## Multiple Unit Foot-Candles

Distance from ceiling in feet	2' from wall						3' from wall					
	2'		3'		3'		3'		4'			
	1	2	1	2	1	2	1	2	1	2		
1	26	27	26	19	17	19	7	7	7	6	5	6
2	35	36	35	25	24	25	15	15	15	12	11	12
3	32	33	32	24	23	24	17	17	17	13	13	13
4	28	29	28	21	21	21	16	16	16	13	13	13
5	23	24	23	17	18	17	15	16	15	12	12	12
6	18	19	18	14	14	14	14	14	14	11	12	11
7	14	15	14	11	12	11	13	13	13	10	10	10
8	11	12	11	10	10	10	11	11	11	9	9	9
9	10	10	10	8	8	8	10	10	10	8	8	8
10	9	9	9	8	8	8	9	9	9	8	8	8

## 2000 Lumen LED Module



## Candlepower Summary

Angle	Candela	Zone Lumens
0	927	
5	973	
10	966	85
20	815	223
30	346	261
40	44	134
50	8	59
60	6	38
70	2	15
80	0	2
90	0	-

## Multiple Unit Foot-Candles

Distance from ceiling in feet	2' from wall						3' from wall					
	2'		3'		3'		3'		4'			
	1	2	1	2	1	2	1	2	1	2		
1	36	36	36	26	24	26	10	9	10	8	7	8
2	47	48	47	34	33	34	20	20	20	16	16	16
3	43	45	43	33	31	33	23	23	23	18	18	18
4	38	40	38	28	29	28	22	22	22	18	17	18
5	31	32	31	23	24	23	21	21	21	17	17	17
6	24	26	24	19	19	19	19	20	19	15	16	15
7	20	21	20	16	16	16	17	18	17	14	14	14
8	16	17	16	13	13	13	15	16	15	13	13	13
9	13	14	13	11	12	11	13	14	13	11	12	11
10	12	12	12	10	11	10	12	13	12	10	11	10

## Product Specifications:

### Construction:

- 16 gauge galvanized steel housing
- 16 gauge reflectors resist dents during transportation and installation
- Custom engineered heat sinks for passive cooling at all lumen options
- Galvanized steel junction box with multiple knockouts

### Installation:

- Universal mounting brackets with over 3" of vertical adjustment accommodate several types of hanger bars
- Accommodates ceilings up to 1.5" thick
- Mount in T-bar grid or drywall ceilings
- LED module twists in at time of trim installation, preventing damage to module during ceiling installation

### Optical System:

- Custom engineered reflectors for precise beam distributions and 45° cutoff to light source and source image
- Self-flanged design with white painted or reflector-matching trim
- Standard semi-diffuse finish for ideal combination of optical efficiency and low glare

### Electrical System:

- LED module provides for exceptional performance and tool-free upgradeability
- Standard 0-10V dimming, high efficiency drivers
- Thermal protection feature in module protects LEDs from overheating in abnormal conditions

For more information and access to all of our resources, including our design tool visit: [www.gelighting.com](http://www.gelighting.com)



All trademarks are the property of their respective owners. Information provided is subject to change without notice. All values are design or typical values when measured under laboratory conditions. Current, powered by GE is a business of the General Electric Company. © 2017 GE.

