

# Lightsweep™ Digital Multisensor Surface Mounted

LL-DMS2-CS

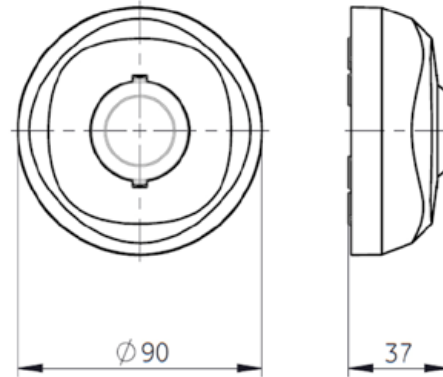


Project name \_\_\_\_\_  
 Date \_\_\_\_\_  
 Type \_\_\_\_\_

## Product Description:

Lightsweep™ Digital MultiSensor is a digital communication capable solution which works seamlessly with other Lightsweep™ Digital system components. Surface mounted sensor is powered through Lightsweep™ Digital Controller's communication line, no auxiliary power supply needed. Sensor is utilizing passive infrared (PIR) sensing technology to detect movements, and accurately measures the ambient light. It also measures temperature and humidity values. The sensor as part of the Lightsweep™ Digital system reports the real-time events and information to turn the lights on and keep on when an area is occupied or turn off when the space is left vacant. The sensor's timer is user-configurable using the Indoor Controls Commissioning Application.

## Product Dimensions:



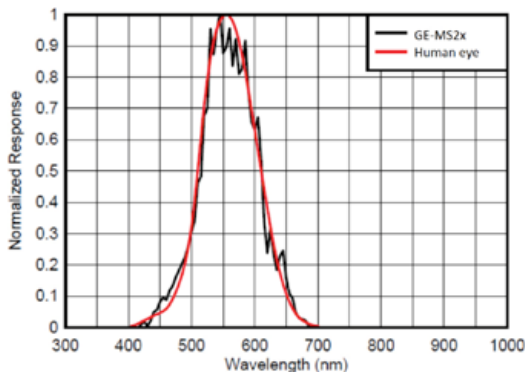
## Certified by:



## Ordering Information:

SKU	DESCRIPTION	ARTICLE NO.
93037758	Lightsweep™ Digital Multisensor Surface Mounted	LL-DMS2-CS

## Spectral Response of Light Sensor:



• Light sensor sensitivity range 10-2000 lux with 2 lux resolution

## Temperature & Humidity:

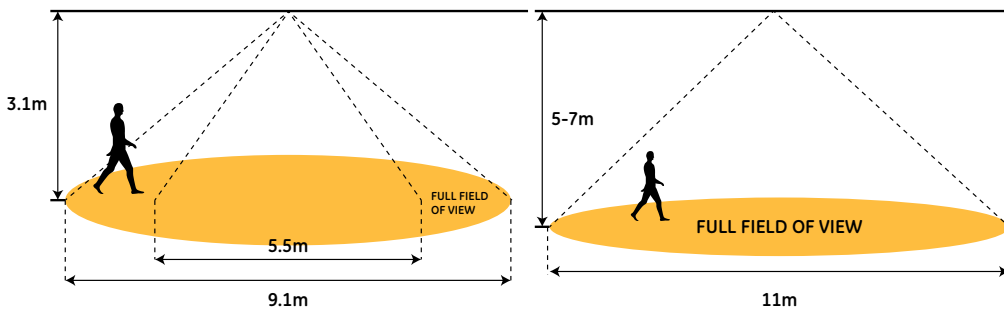
### Relative Humidity Accuracy:

- ±2% (typical), non condensing 0-100 %RH

### Temperature Accuracy:

- ±0.2°C (typical) between (5°C < TA < 60°C)

## Area of Detection:



Diameter of Sensitivity range (major motions) = 9.1m (30')  
 Diameter of Sensitivity range (minor motions) = 5.5m (18')

Diameter of Sensitivity range (major motions) = 11m (36')

**current**  
 powered by GE



# Product Specification: Lightsweep™ Digital Multisensor Surface Mounted

---

## Key Functions

**Dimensions:** DxH: 70x40mm

**Weight:** 28g

**Housing:** Polycarbonate

**Power Rating:** Max 6mA @ 24V DC, EU Class II,  
(average 3mA 18V)

**Sensor Types:** Passive infrared (PIR) sensor, light sensor,  
temperature and humidity compact sensor.

**Operating Environment:** 0°C to 45°C / IP 20 – Indoor, dry  
location. Suitable for Plenum use.

**Status Indicator:** Network LED (orange): Network joined;  
Installation test

**Connection:** Cable connection to one of the Lightsweep™  
Digital Controller Buses. Powered through the Controller Bus.

**Mounting:** Surface mounted. Mount base part onto surface  
with 2-4 screws, connect wires, twist and lock House part.

**Ceiling Tile Width:** 5-20 mm (0,0787-0,787 inch)

**Mounting Height:** 2~7m

**Sensor Coverage:** See pattern drawing for details.

**Off-Delay Timer:** Software configurable

**Warranty:** 5 years

## Lightsweep™ Digital system components:

SKU	DESCRIPTION	ARTICLE NO.
93037756	Lightsweep™ Digital Controller	LL-DC
93045357	Lightsweep™ Digital Multisensor Recessed	LL-DMS2-CR
93037758	Lightsweep™ Digital Multisensor Surface Mounted	LL-DMS2-CS
93037759	Lightsweep™ Digital Switch Interface for up to 3 buttons	LL-DSW-PB3
93037760	Lightsweep™ Digital Switch Interface for up to 9 buttons	LL-DSW-PB9

**current**  
powered by GE

All trademarks are the property of their respective owners. Information provided is subject to change without notice. All values are design or typical values when measured under laboratory conditions. Current, powered by GE is a business of the General Electric Company.  
© 2018 GE.

