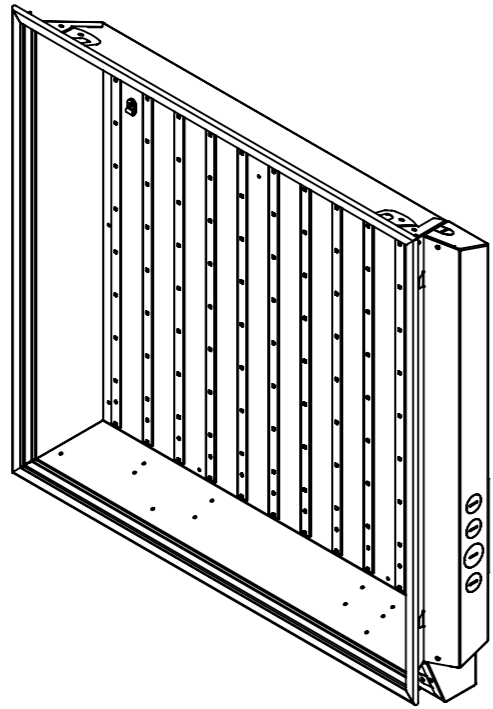
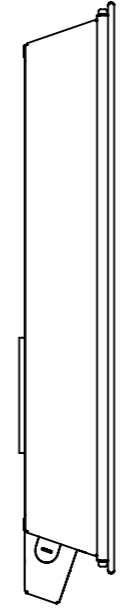
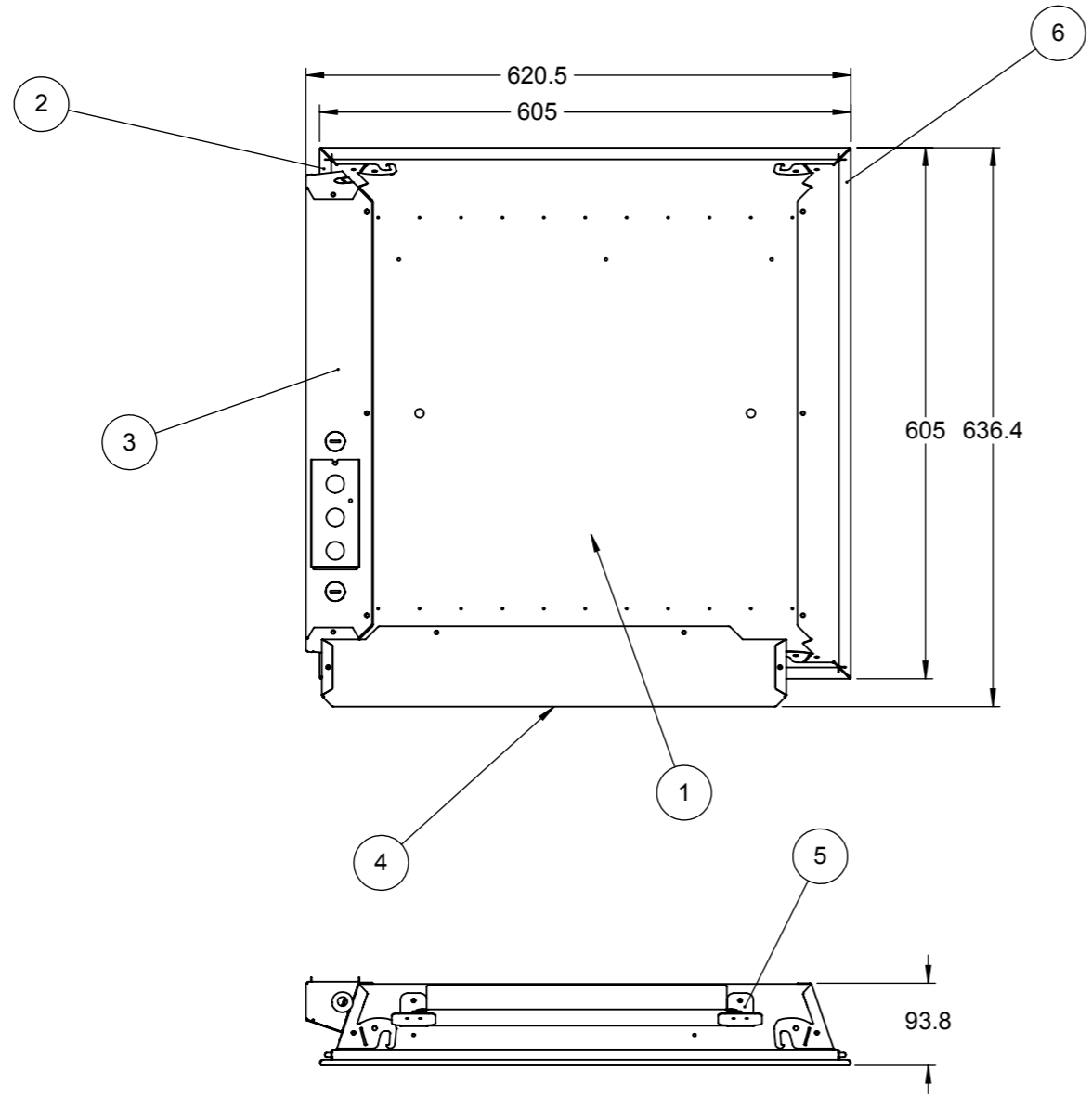


REV.	DESCRIPTION	DESIGN	DATE
A	RELEASED FOR TOOLING		



UNLESS OTHERWISE SPECIFIED	DO NOT SCALE DRAWING INTERPRET DRAWING PER ASME 14.5M 1994	Lighting Solutions GE(China) Technology Center, 1800 Cailun road, Shanghai, China. WWW.GELIGHTING.COM	DRAWING DESCRIPTION		
	DIMENSIONS ARE IN MM TOLERANCE ON: X. DECIMALS ±1 .X DECIMALS ±0.5 .XX DECIMALS ±0.25 ANGLES ±2° INSPECTION DIM		PROPEETARY AND CONFIDENTIAL	BTL 2x2 metal parts assembly relationship	
THE INFORMATION CONTAINED IN THIS DRAWING IS THE SOLE PROPERTY OF LUMINATION, LLC. ANY REPRODUCTION IN PART OR AS A WHOLE WITHOUT THE WRITTEN PERMISSION OF LUMINATION, LLC IS PROHIBITED		DRAWING	DATE	DRAWING NUMBER	UNITS OF MEASURE
THIS DOCUMENT IS ELECTRONICALLY SIGNED AND CONTROLLED IN A DATA MANAGEMENT SYSTEM				LIFE CIRCLE STATUS	REVISION
		SCALE: 1:8	SIZE A3	SHEET 1 OF 1	