

GE LED Wall Washer

LED Lighting System

Product Codes

62191, 62192, 62195, 62196, 62199, 62200, 62202, 62203, 62204, 62205, 62206,
62207, 65444, 65445, 65446, 65447, 65448, 65449



BEFORE YOU BEGIN

Read these instructions completely and carefully.

⚠ WARNING/AVERTISSEMENT

RISK OF ELECTRIC SHOCK

- Turn power off before inspection, installation or removal.
- Properly ground the LED system.

RISK OF FIRE

- Follow all NEC and local codes.

RISQUES DE DÉCHARGES ÉLECTRIQUES

- Coupez l'alimentation avant l'inspection, l'installation ou le déplacement.
- Mettre à terre le système DEL de la façon appropriée.

RISQUES D'INCENDIE

- Respectez tous les codes NEC et codes locaux.

Save These Instructions

This product is intended solely for the use of non-residential architecture lighting and is not intended for use in any other application.

Prepare Electrical Wiring



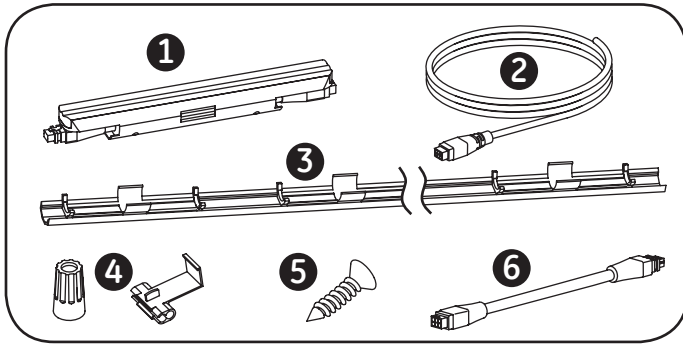
Electrical Requirements

- Do not use in wet locations.
- The grounding and bonding of the LED system shall be done in accordance with National Electric Code (NEC) Article 600.
- Follow all National Electric Codes (NEC) and local codes.



imagination at work

Components

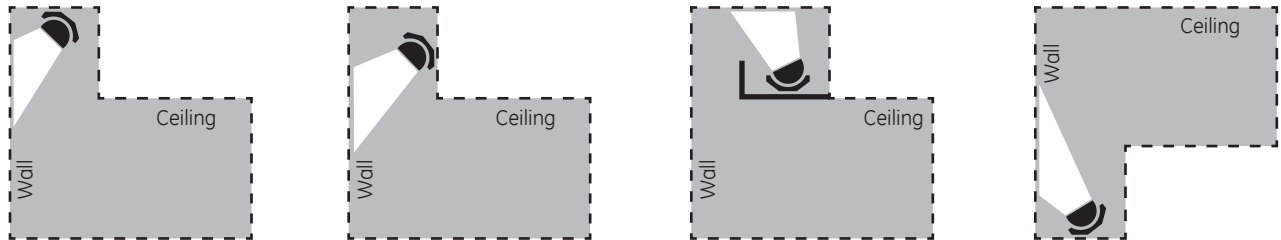


- 1 GE LED Wall Washer Fixtures
- 2 Leader Cable with End Cap (62208, 62211)
- 3 Mounting track with bracket (65467)
- 4 UL approved 18-14 AWG (0.82-2.08 mm²) wire connectors or In-Line Splice Connector (75545)
- 5 #10 (M5) self-tapping flathead screws
- 6 (Optional) jumper cable (62209: 12 in. /305 mm long, 62210: 48 in./1219 mm long)

Standard Mounting Methods

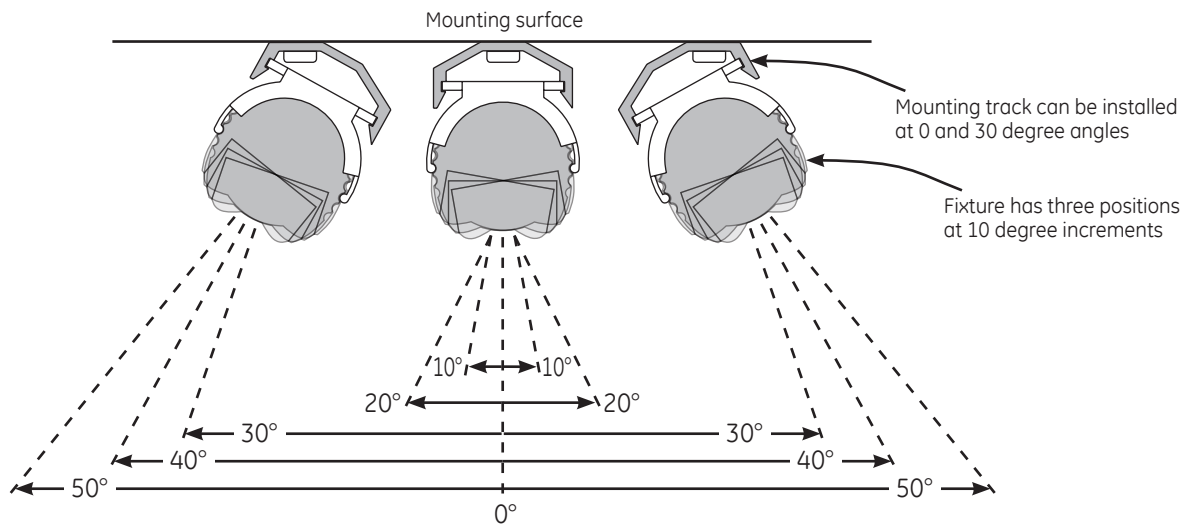
Fixture mounting positions:

It is recommended that the LED fixtures be installed into a space no smaller than 3 in. x 3 in. (76mm x 76mm) For additional mounting practices refer to application notes on our website (www.gelighting.com)



Fixture rotation:

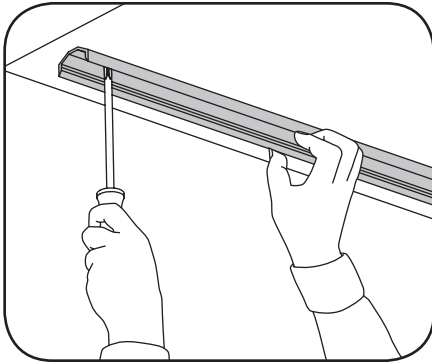
Light can be directed from 0 to 50 degrees in 10 degree increments in both directions with the help of 1) the rotation angle of the fixture, and 2) the mounting edge of the fixture track.



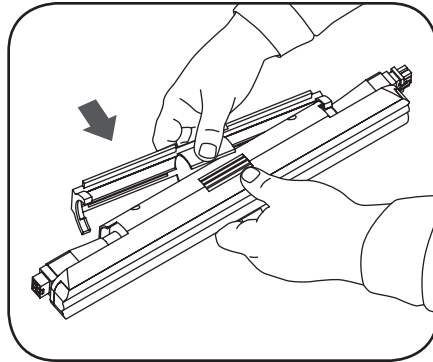
Material Estimations

For material estimations, take the length of the run in feet divided by 1.05 feet to get the quantity of fixtures needed. Take the run in feet divided by 4 feet to get the quantity of mounting tracks needed.

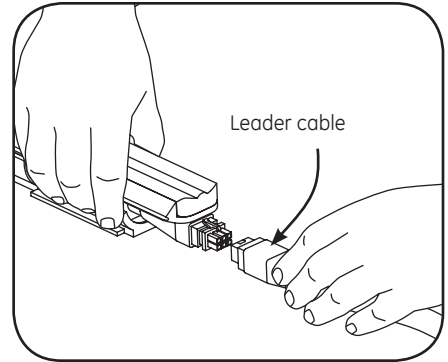
Installation



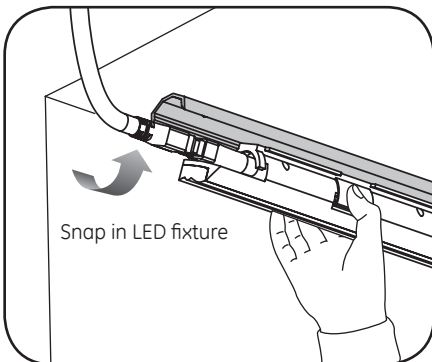
- 1** Install mounting track inside the wall cavity using a minimum of two #10 (M5) self-tapping flathead screws per section. If required, cut mounting track to desired length.



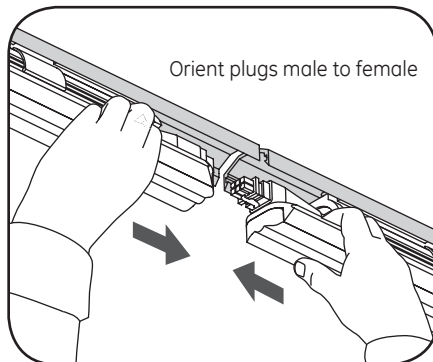
- 2** Assemble the LED fixture and the bracket by pressing them together.



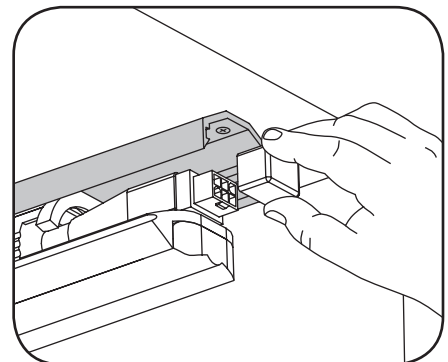
- 3** Connect the leader cable to the male plug on the first LED fixture.



- 4** Snap the first LED fixture into the mounting track.



- 5** Continue placing fixtures, being sure to join plugs male to female. Attach jumper cables as needed to work around any obstacles, corners or separations.

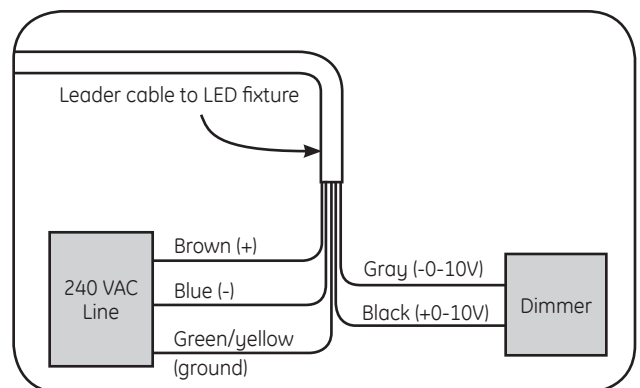
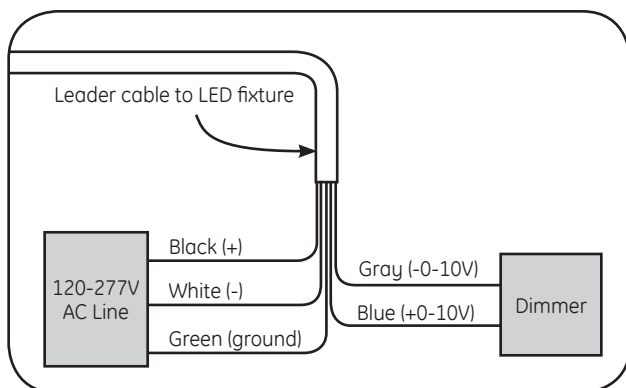


- 6** Place end cap from leader cable on the electrical plug of the last fixture in the run.

Electrical Connections

Connect the leader cable to the power source and dimmer.

OPTIONAL: If dimming is not used, cap the purple and gray wires with UL approved wire connectors. Do not connect the wires together.



Troubleshooting

Symptom	Solution
All LED fixtures are not illuminated	<ul style="list-style-type: none"> • Check leader cable connection and/or check circuit breaker. • Check plug connectors on the LED fixtures for improper connections or short circuits. • Ensure leader cable is securely connected to the female plug connector on the first LED fixture.
Some LED fixtures are not illuminated	<ul style="list-style-type: none"> • Check plug connectors on the LED fixtures for improper connections or short circuits. • Ensure any jumper cables are securely connected between the male/female plug connectors of the LED fixtures.
Shadows within application	<ul style="list-style-type: none"> • Re-position LED fixtures along mounting surface ensuring architectural elements are not directly in front of any LEDs. • Adjust layout of LED fixtures to ensure uniformity of illumination. • Adjust leader cable and/or jumper cable orientation to ensure cables do not cover any LEDs.

Specifications

Product Code	Description Code	Voltage	IP Rating	Maximum Run Length
62199	(LWW1-HO12-012-827)	120 VAC-277 VAC, 50-60Hz	IP51: Dry or Damp Location	
62202	(LWW1-HO12-030-827)	120 VAC-277 VAC, 50-60Hz	IP51: Dry or Damp Location	
62191	(LWW1-HO12-110-827)	120 VAC-277 VAC, 50-60Hz	IP51: Dry or Damp Location	For 120 VAC: 70 Fixtures (~73.5 feet/22.41m)
65444	(LWW1-HO12-012-830)	120 VAC-277 VAC, 50-60Hz	IP51: Dry or Damp Location	
65445	(LWW1-HO12-030-830)	120 VAC-277 VAC, 50-60Hz	IP51: Dry or Damp Location	For 240 VAC: 140 Fixtures (~147 feet/44.82m)
62192	(LWW1-HO12-110-830)	120 VAC-277 VAC, 50-60Hz	IP51: Dry or Damp Location	
62200	(LWW1-HO12-012-840)	120 VAC-277 VAC, 50-60Hz	IP51: Dry or Damp Location	For 277 VAC: 165 Fixtures (~173.3 feet/52.84m)
62203	(LWW1-HO12-030-840)	120 VAC-277 VAC, 50-60Hz	IP51: Dry or Damp Location	
62195	(LWW1-HO12-110-840)	120 VAC-277 VAC, 50-60Hz	IP51: Dry or Damp Location	
62204	(LWW1-MO12-012-827)	120 VAC-277 VAC, 50-60Hz	IP51: Dry or Damp Location	
62206	(LWW1-MO12-030-827)	120 VAC-277 VAC, 50-60Hz	IP51: Dry or Damp Location	
62196	(LWW1-MO12-110-827)	120 VAC-277 VAC, 50-60Hz	IP51: Dry or Damp Location	For 120 VAC: 140 Fixtures (~147 feet/44.82m)
65446	(LWW1-MO12-012-830)	120 VAC-277 VAC, 50-60Hz	IP51: Dry or Damp Location	
65447	(LWW1-MO12-030-830)	120 VAC-277 VAC, 50-60Hz	IP51: Dry or Damp Location	For 240 VAC: 290 Fixtures (~304.5 feet/92.84m)
65448	(LWW1-MO12-110-830)	120 VAC-277 VAC, 50-60Hz	IP51: Dry or Damp Location	
62205	(LWW1-MO12-012-840)	120 VAC-277 VAC, 50-60Hz	IP51: Dry or Damp Location	For 277 VAC: 300 Fixtures (~315 feet/96.04m)
62207	(LWW1-MO12-030-840)	120 VAC-277 VAC, 50-60Hz	IP51: Dry or Damp Location	
65449	(LWW1-MO12-110-840)	120 VAC-277 VAC, 50-60Hz	IP51: Dry or Damp Location	

This device complies with Part 15 of the FCC Rules. Operation is subject to the following two conditions: (1) This device may not cause harmful interference, and (2) this device must accept any interference received, including interference that may cause undesired operation. This Class [A] RFLD complies with the Canadian standard ICES-003. Ce DEFR de la classe [A] est conforme á la NMB-003 du Canada.

Note: This equipment has been tested and found to comply with the limits for a Class A digital device, pursuant to part 15 of the FCC Rules. These limits are designed to provide reasonable protection against harmful interference when the equipment is operated in a commercial environment. This equipment generates, uses, and can radiate radio frequency energy and, if not installed and used in accordance with the instruction manual, may cause harmful interference to radio communications. Operation of this equipment in a residential area is likely to cause harmful interference in which case the user will be required to correct the interference at his own expense.



GE Lighting • 1-888-MY-GE-LED (1-888-69-43-533) • www.gelighting.com

GE Lighting Solutions, LLC is a subsidiary of the General Electric Company. Tetra is a trademark of GE Lighting. The GE brand and logo are trademarks of the General Electric Company. © 2013 GE Lighting Solutions, LLC. Information provided is subject to change without notice. All values are design or typical values when measured under laboratory conditions.