

Tetra® AL10

LED ARCHITECTURAL SERIES

Product Codes

78855–78904

LED System Features

- Certified to UL 2108
- Low-Voltage Luminaire (12 VDC)
- IP54: Dry or damp location rated
- Compatible with GE 12 Volt LED Drivers
- Dimmable with GE 0-10V Dimming LED Driver or GE Dimming Module and compatible dimming controller

For use in the following commercial applications:

For indoor use only

- Cove Lighting
- Under Shelf Lighting
- Task Lighting
- Accent Lighting

Prepare Electrical Wiring



Electrical Requirements

- Do not use in wet locations.
- The grounding and bonding of the LED Driver shall be done in accordance with National Electric Code (NEC) Article 600.
- Follow all National Electric Codes (NEC) and local codes.



BEFORE YOU BEGIN

Read these instructions completely and carefully

WARNING/ADVERTISEMENT

Risk of electrical shock. Disconnect power before servicing or installing product. /**Risque de choc électrique.** Couper l'alimentation avant le dépannage ou avant l'installation du produit.

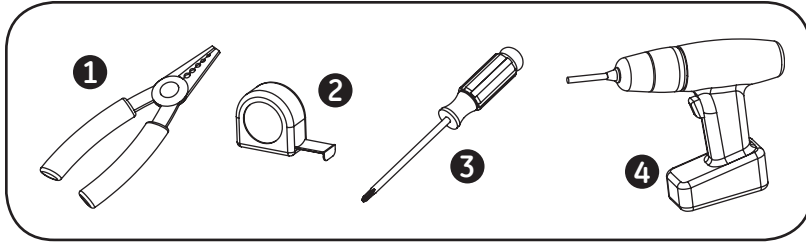
WARNING – Risk of fire, electrical shock or injury. Observe the following instructions when installing this product.

- This product is intended solely for the use of non-residential architecture lighting and is not intended for use in any other applications.
- Before installing, servicing or cleaning unit, switch power off at the service panel and follow appropriate lock out/tag out safety procedures.



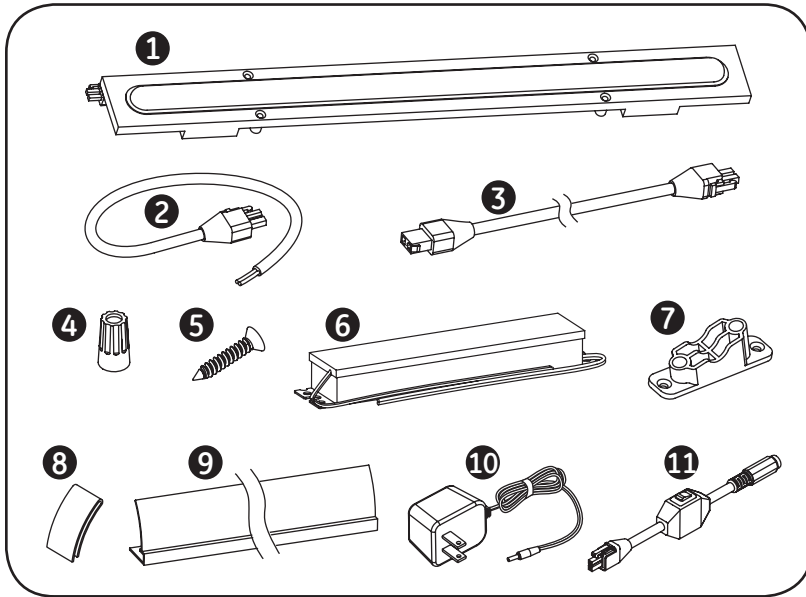
imagination at work

Tools and Components



Tools:

- 1 Wire Stripper / Cutter
- 2 Tape Measure
- 3 Screw Driver
- 4 Power Drill

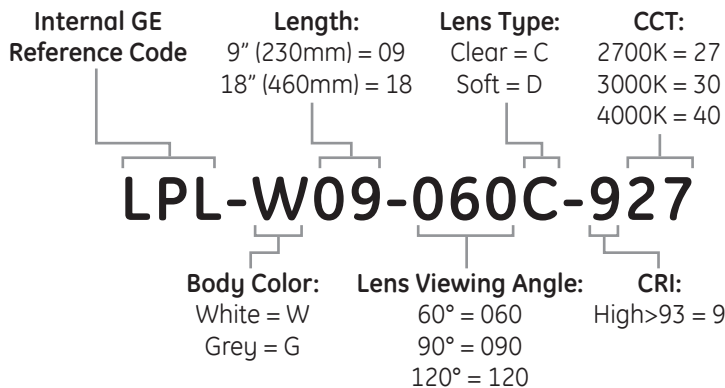


Components:

- 1 LED Module (78855–78904)
- 2 Leader Cable (78905, 78906)
- 3 Optional: Jumper Cable (78907, 78908)
- 4 18 AWG (0.82mm²) Wire Connectors
- 5 #6 (M3) flathead screws
- 6 LED Driver (67824, 74914, 79044)
- 7 Mounting Brackets (78909, 78910, 78911, 78912, 62184)
- 8 Optional: Light Shield Connector (62817)
- 9 Optional: Mounting Track with Light Shield (62187)
- 10 Optional (North America Only): Wall Transformer (62819)
- 11 Optional (North America Only): Cable with Switch (62186)

Plan Your Installation

Tetra® AL10 LED Lighting can be mounted in many different vertical and horizontal applications. To ensure a proper fit and optimal illumination, plan the layout of the lighting fixtures prior to beginning your installation. Make certain you use the same mounting bracket angle throughout your installation. Please refer to the description code on the back of the fixture for product details.



Loading Specifications

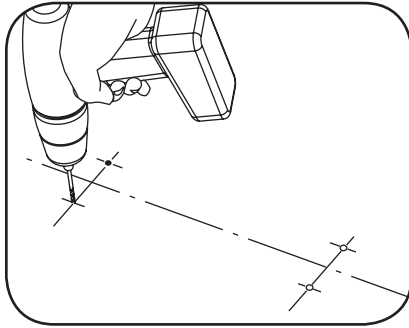
LED Driver	Maximum Loading 9-inch (230mm)	Maximum Loading 18-inch (460mm)	Maximum Loading Total feet (m)
74914 (GE020/G/V12T1-B)	5 modules	2 modules	4 ft. (1.22m)
67824 (GEPS12-60UGL-IP), 79044 (GE060/MV/D12T1-A)	17 modules	8 modules	13 ft. (3.96m)
62819 (DFU120150)	6 modules	3 modules	4.5 ft. (1.37m)

Remote Mounting Distance

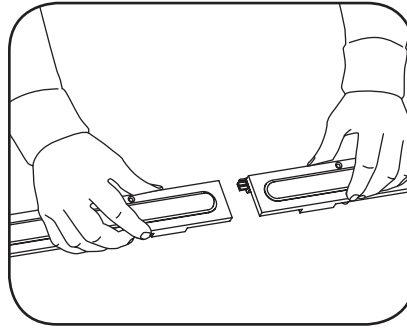
LED Driver	18 AWG (0.82mm ²) Supply Wire	16 AWG (1.31mm ²) Supply Wire	14 AWG (2.08mm ²) Supply Wire	12 AWG (3.31mm ²) Supply Wire
74914 (GE020/G/V12T1-B)	1-120 ft.	-	-	-
67824 (GEPS12-60UGL-IP), 79044 (GE060/MV/D12T1-A)	1-30 ft. (0.3-9.14m)	1-50 ft. (0.3-15.24m)	1-80 ft. (0.3-24.38m)	1-120 ft. (0.3-36.58m)

Install LED System

Make sure the power is OFF prior to beginning the installation process.

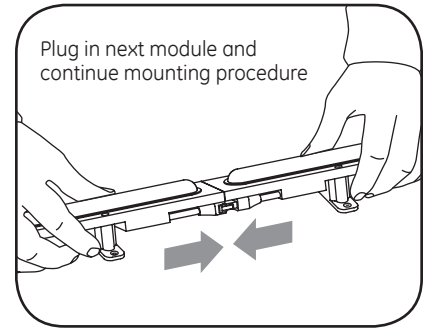


- 1 Plan your layout and drill pilot holes in mounting surface.

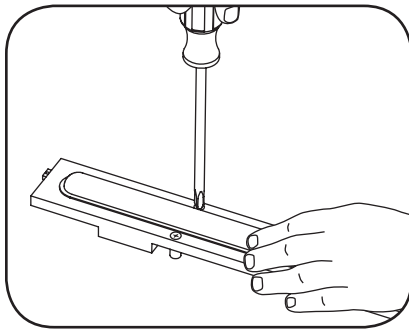


- 2 Remove dust cap from modules and click the modules together to ensure spacing needs are met.

NOTE: Ensure that the female plug is facing towards the LED Driver location.

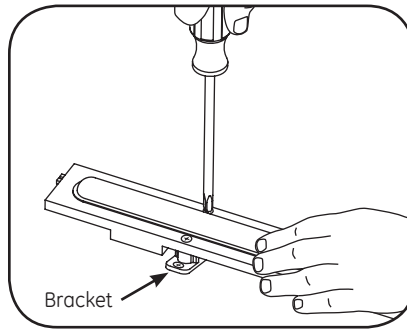


- 3 Attach the next LED module to the previous (either directly or by using a jumper cable) and continue mounting remaining modules. Ensure dust cap remains on the plug of the last module in the series.

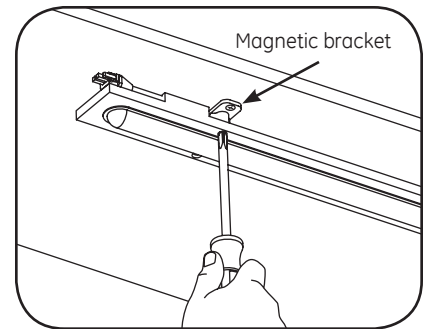


- 4 Mount LED modules by screwing into surface.

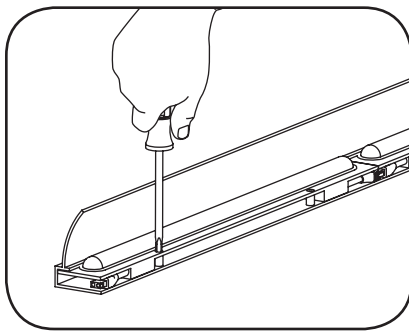
NOTE: Do not over torque (over tighten) screws.



- 5 Optional angled mounting brackets can be used to help focus the light output of the LED modules. Secure the mounting bracket by screwing into place. Secure the LED modules to brackets using screws.



- 6 When mounting to metal surfaces, optional magnetic bracket (62184) can be used. Secure the modules to the bracket using screws. Attach brackets to surface.



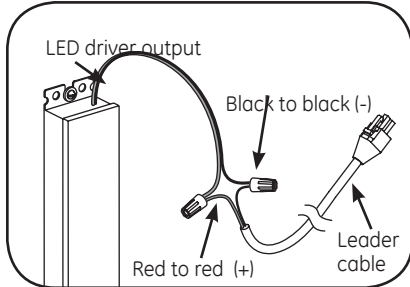
- 7 **OPTIONAL:** Attach Mounting Track with Light Shield to mounting surface with screws. Slide LED modules into position and secure using screws.

Prepare Electrical Wiring

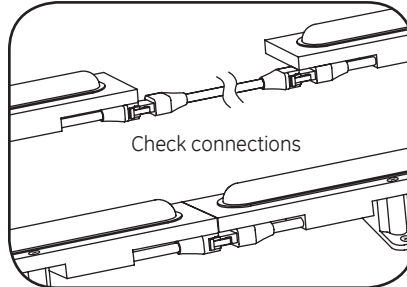
METHOD A - 12V LED Driver

Please refer to the LED Driver Installation Guide for instructions on mounting and installing LED Driver.

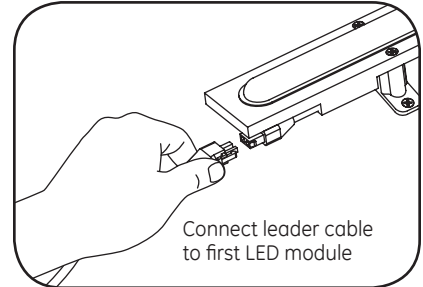
Electrical connection of leader cable(s) to 12VDC LED Driver must be prepared by trained, qualified personnel following all applicable local and national regulations. NOTE: Turn Power OFF before making any changes to connections.



1 Connect LED driver output leads to leader cable leads using 18 AWG (0.82mm²) Wire Connector (strip wire as necessary).

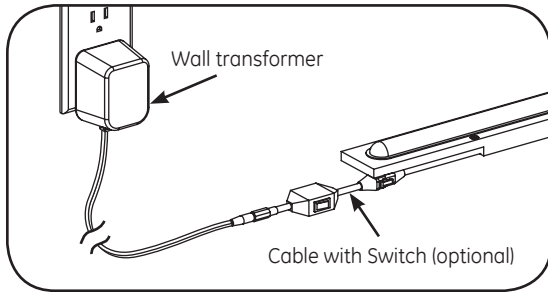


2 Double check all end-to-end and jumper cable connections between LED modules.



3 Plug in leader cable connector to first LED module and ensure tight connection. Turn Power ON and verify all LED modules are illuminated.

METHOD B - Wall Transformer and Switch



Optional: Tetra AL10 can be connected to a wall transformer (62819) only using Cable with Switch (62186).

Troubleshooting

Symptom	Solution
All LED modules are not illuminated	<ul style="list-style-type: none"> • Check LED driver connection and leader cable connection and/or check circuit breaker. • Check male/female plug connectors on the LED modules for improper connections or short circuits. • Ensure leader cable is securely connected to the female plug connector on the first LED module.
Some LED modules are not illuminated	<ul style="list-style-type: none"> • Check plug connections on the LED modules for improper connections or short circuits • Ensure any jumper cables are securely connected between the male/female plug connectors of the LED modules.
Shadows within application	<ul style="list-style-type: none"> • Re-position LED modules along mounting surface ensuring architectural elements are not directly in front of any LEDs. • Adjust layout of LED modules and mounting brackets (if used) to ensure uniformity of illumination. • Adjust leader cable and/or jumper cable orientation to ensure cables do not cover any LEDs.

This device complies with Part 15 of the FCC Rules. Operation is subject to the following two conditions: (1) This device may not cause harmful interference, and (2) this device must accept any interference received, including interference that may cause undesired operation. This Class [A] RFLD complies with the Canadian standard ICES-003. Ce DEFR de la classe [A] est conforme á la NMB-003 du Canada.

Note: This equipment has been tested and found to comply with the limits for a Class A digital device, pursuant to part 15 of the FCC Rules. These limits are designed to provide reasonable protection against harmful interference when the equipment is operated in a commercial environment. This equipment generates, uses, and can radiate radio frequency energy and, if not installed and used in accordance with the instruction manual, may cause harmful interference to radio communications. Operation of this equipment in a residential area is likely to cause harmful interference in which case the user will be required to correct the interference at his own expense.



GE Lighting • 1-888-MY-GE-LED (1-888-69-43-533) • www.gelighting.com

GE Lighting Solutions, LLC is a subsidiary of the General Electric Company. Tetra is a trademark of GE Lighting. The GE brand and logo are trademarks of the General Electric Company. © 2013 GE Lighting Solutions, LLC. Information provided is subject to change without notice. All values are design or typical values when measured under laboratory conditions.