

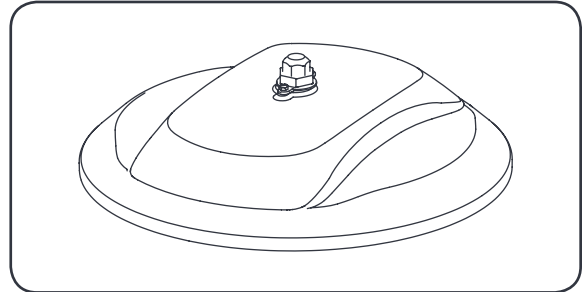
# Albeo™ LED Luminaire

NSF Rated High Bay Lighting

ABN1 Series

## Features

- NSF Splash Zone, IP66, IP69K, NEMA 4X
- 5 year warranty



## BEFORE YOU BEGIN

Read these instructions completely and carefully.

### ⚠ WARNING/AVERTISSEMENT

#### RISK OF ELECTRIC SHOCK

- Turn power off before inspection, installation or removal.
- Properly ground electrical enclosure.

#### RISK OF FIRE

- Follow all NEC and local codes.
- Use only UL or IEC approved wire for input/output connections. Minimum size 18 AWG.

#### RISQUES DE DÉCHARGES ÉLECTRIQUES

- Coupez l'alimentation avant d'inspecter, installer ou déplacer le luminaire.
- Assurez-vous de correctement mettre à la terre le boîtier d'alimentation électrique.

#### RISQUES D'INCENDIE

- Respectez tous les codes NEC et codes locaux.
- N'utilisez que des fils approuvés par UL ou IEC pour les entrées/sorties de connexion. Taille minimum 18 AWG.

This device complies with Part 15 of the FCC Rules. Operation is subject to the following two conditions: (1) This device may not cause harmful interference, and (2) this device must accept any interference received, including interference that may cause undesired operation. CAN ICES-005 (A) / NMB-005 (A)

Note: This equipment has been tested and found to comply with the limits for a Class A digital device, pursuant to part 15 of the FCC Rules. These limits are designed to provide reasonable protection against harmful interference when the equipment is operated in a commercial environment. This equipment generates, uses, and can radiate radio frequency energy and, if not installed and used in accordance with the instruction manual, may cause harmful interference to radio communications. Operation of this equipment in a residential area is likely to cause harmful interference in which case the user will be required to correct the interference at his own expense.

## Save These Instructions

Use only in the manner intended by the manufacturer. If you have any questions, contact the manufacturer.

## Prepare Electrical Wiring



### Electrical Requirements

The fixture should be installed by a qualified electrician. The LED driver must be supplied with 120-480 VAC, 50/60 Hz per product label and connected to a individual properly grounded branch circuit, protected by a 15 or 20 ampere circuit breaker.



### Grounding Instructions

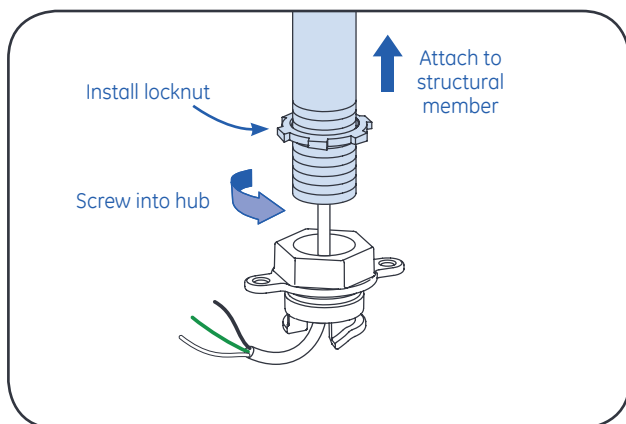
The grounding and bonding of the overall system shall be done in accordance with National Electric Code (NEC) Article 600 and local codes.



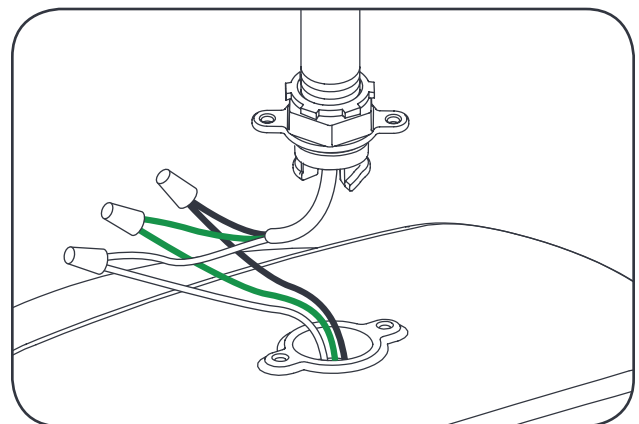
## Installation

- 1 Carefully unpack unit and properly inspect for defects before installing. Wear work gloves to prevent dirt and oil from being transferred to the luminaire.
- 2 Choose a mounting method: pendant, chain, cable, rod, hook/loop, or surface mount.  
**NOTE:** Please follow all UL, NEC and minimum load rating guidelines when selecting and installing a cable, chain, or rod.  
**NOTE:** ABN1 fixture weight: 16.0 lbs. max.

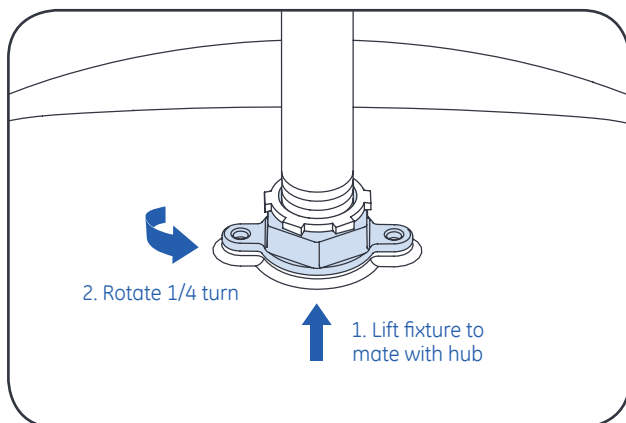
### Pendant Mounting



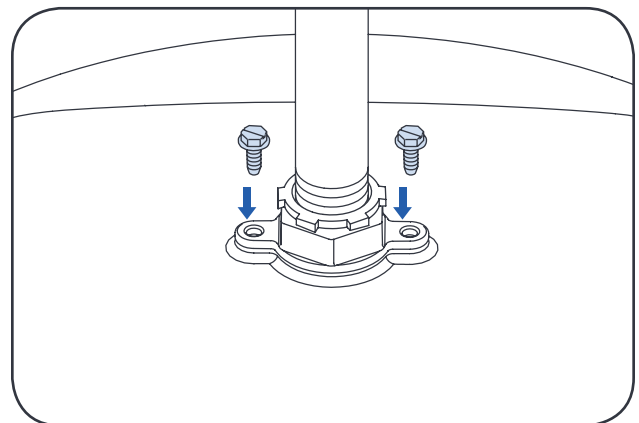
- 1 Thread a locknut onto the pendant, then pass the wires through the hub and screw the pendant into the hub. Tighten the locknut onto the hub.



- 2 Connect the AC wires\* to the fixture wires and insert them into the fixture cavity.  
\*See **Electrical Connections** section at end.

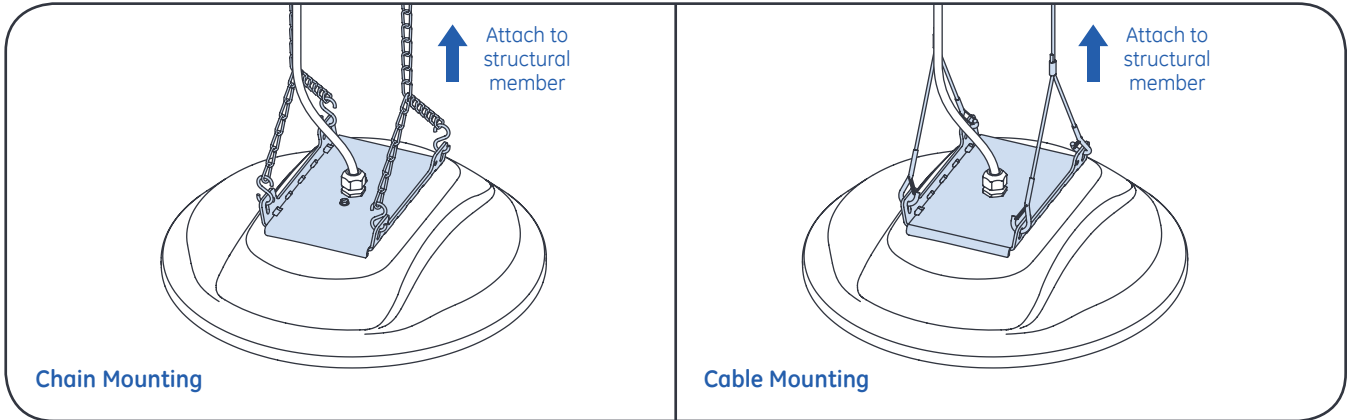


- 3 Carefully lift the fixture to mate with the hub, ensuring no wires are caught between the hub and fixture, then rotate 1/4 turn to secure the fixture.



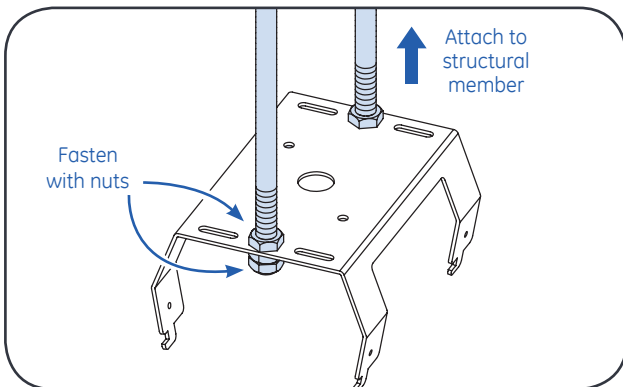
- 4 Lock the hub to the fixture body with two screws (provided). Do not overtighten.

## Chain or Cable Mounting



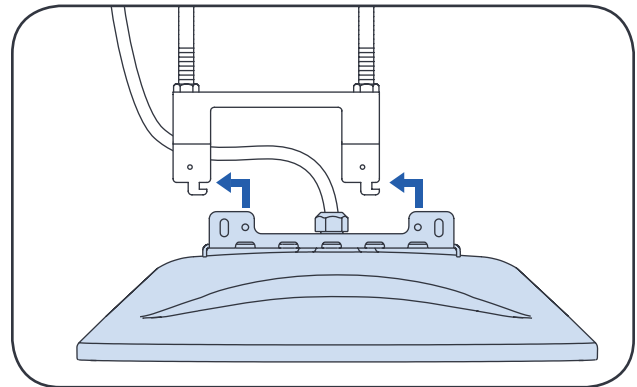
Hang two Y-chains/cables from a structural member of the ceiling. Fixture must be supported independently of an outlet box. Loop chain/cable through the the four holes in the mounting bracket.

## Rod Mounting

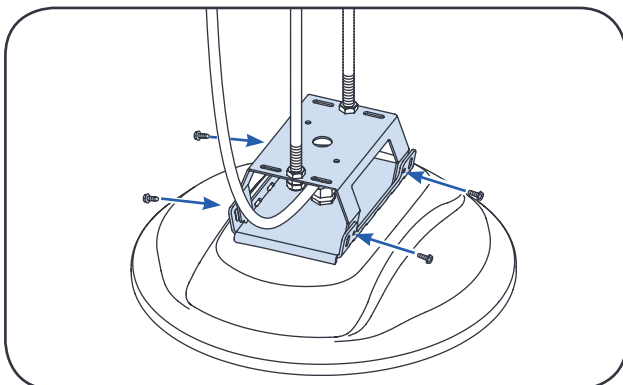


- 1 Secure two, smooth\* 1/2" rods with threaded ends into structural members in the ceiling. Place a nut on the end of each rod where the fixture should hang. Slide the mounting brackets onto the rods and tighten two nuts onto the rods to secure the bracket.

\*Fully threaded rods can be used, but are not NSF rated.

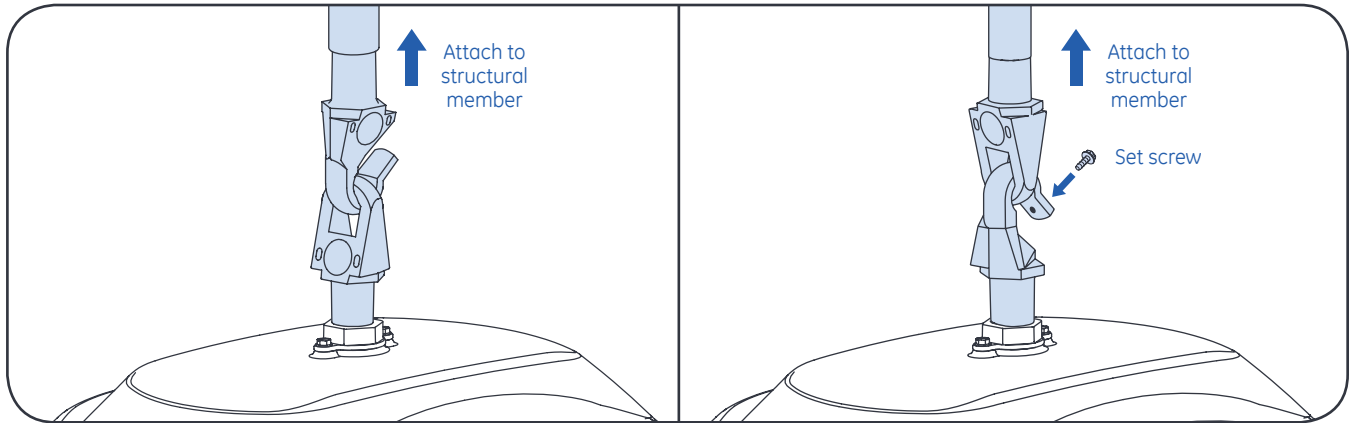


- 2 Lift the fixture so that the holes on the mounting plate slide and lock to the tabs on the mounting bracket.



- 3 Lock the fixture to the mounting bracket using four screws (provided). Do not overtighten.

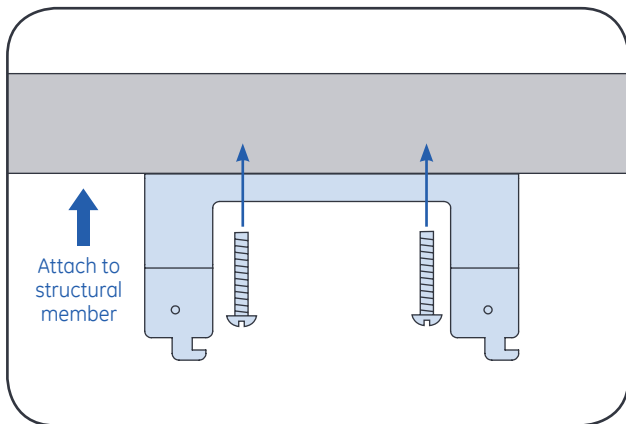
## Hook/Loop Mounting



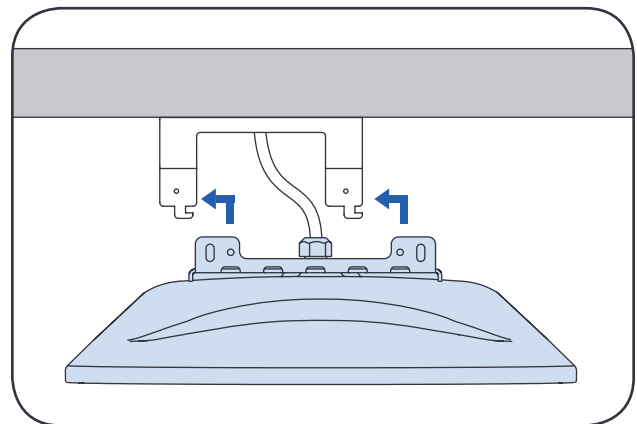
**Option 1:** Hang the loop onto a suspended hook.

**Option 2:** Hang the hook onto a suspended loop. Lock hook with provided set screw.

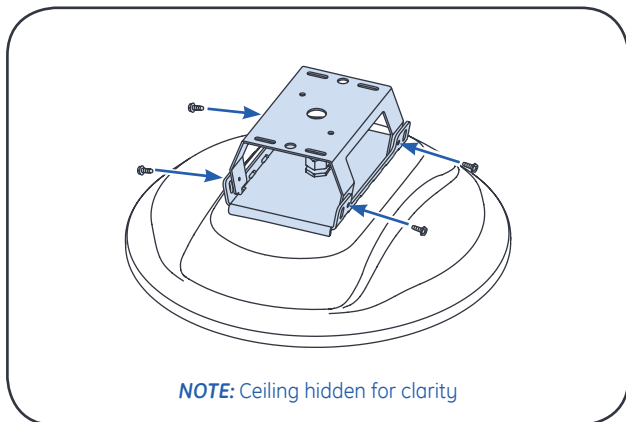
## Surface Mounting



**1** Position the mounting bracket on the structural member and attach using appropriate hardware (not included).

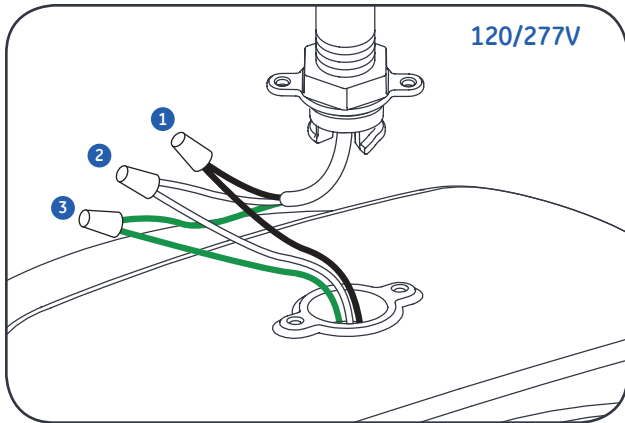


**2** Lift the fixture so that the holes on mounting plate slide and lock to the tabs on the mounting bracket.



**3** Lock the fixture to the mounting bracket using four screws (provided). Do not overtighten.

# Electrical Connections

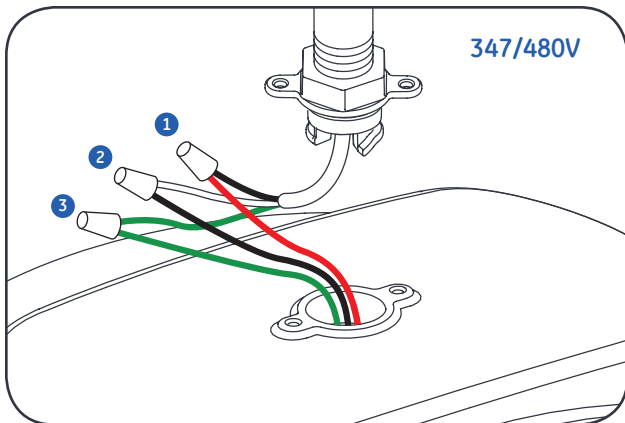


## 120/277V

- L — BLACK ①
- N — WHITE ②
- Ⓧ — GREEN ③

## 0-10V Dimming

- + DIM — VIOLET/WHITE STRIPE
- DIM — GRAY



## 347/480V

## 347/480V

- L — RED ①
- N — BLACK ②
- Ⓧ — GREEN ③

## 347/480V (Factory installed cable)

- L — BLACK ①
- N — WHITE ②
- Ⓧ — GREEN ③

## 0-10V Dimming

- + DIM — VIOLET/WHITE STRIPE
- DIM — GRAY

**NOTE:** If ordered with cable and dimming, will come with 5 wire cord.