

Albeo™ LED Luminaire

LED Linear Industrial Lighting
ALR2 - Series



Project name _____
Date _____
Type _____

Product Description:

The Albeo™ ALR2 series LED luminaire is an efficient alternative to traditional fluorescent in a variety of commercial and industrial lighting applications. The ALR2 expands the linear product offering to include IP67 rated fixtures for demanding industrial environments. ALR2 LED fixture can be matched with motion, daylight and wireless controls for increased energy savings. Designed to meet recommended luminance and illuminance requirements for low bay and task level lighting as well as parking garage, stairwell & general lighting applications.

Performance Highlights:

Light Output Range: 2,000 – 20,000 lumens

CRI: 80 and 90 CRI options

CCT: 3000K, 3500K, 4000K, 5000K

Distributions: 120° diffused lens & 160° clear lens

Input Voltage: 120V-277V, 347V & 480V

Efficiency: Up to 160LPW

Fixture Rated: L70 @ 100,000 hours minimum @ 45°C

Limited Warranty: 5 Years

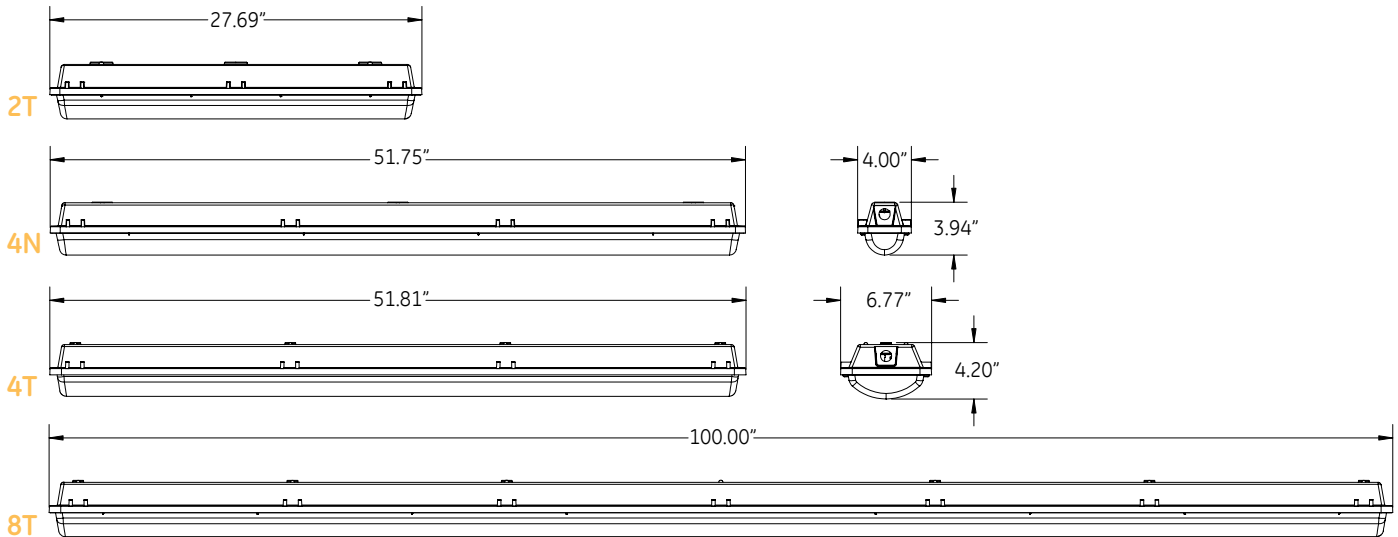
Temperature Rating: -30°C to +45°C (-22°F to 113° F)

Controls & Sensors: 0-10V standard, motion & daylight sensor options. ZigBee Wireless Daintree compliant options.

Ratings: IP67 - UL 1598 Suitable for Wet Locations
NSF Splash Zone & Non-Food Zone rated optional



Product Dimensions:



Certifications:    

current
powered by GE



Ordering Number Logic

LED Linear Industrial Lighting

ALR2 - Series



Project name _____
 Date _____
 Type _____

ALR2 - - - - - T - - - - - Q W - - - - -

FAMILY	VOLTAGE	FIXTURE LENGTH & BODY	LUMEN OUTPUT	PERFORMANCE LEVEL	LED COLOR TEMP	OPTICS	FIXTURE TYPE	SENSOR/WIRELESS	CONTROL WIRING	EMERGENCY	MOUNTING	CORD	PLUG	FINISH	OPTIONS	
ALR2 = ALR IP67 Linear Series 2nd Gen	0 = 120/277 1 = 120* 4 = 277* 5 = 480* D = 347*	2T = 2 ft. Standard Body 4N = 4 ft. Narrow Body 4T = 4 ft. Standard Body 8T = 8 ft. Standard Body	02 = 2,000 03 = 3,000 04 = 4,000 03 = 3,000 04 = 4,000 05 = 5,000 06 = 6,000 08 = 8,000 10 = 10,000 03 = 3,000 04 = 4,000 05 = 5,000 06 = 6,000 08 = 8,000 10 = 10,000 04 = 4,000 06 = 6,000 08 = 8,000 10 = 10,000 12 = 12,000 16 = 16,000 20 = 20,000	T = Standard Efficiency	80 Plus CRI 38 = 3000K C8 = 3500K 48 = 4000K 58 = 5000K 90 Plus CRI 39 = 3000K C9 = 3500K 49 = 4000K 59 = 5000K	1D = 120° Diffused Lens WC = Wide Clear 160° Parking Garage Optic	S = Standalone F = NSF Food Rated	Q = None A = Occ Sense On/Off 360° SBOR B = Occ Sense High-Low Dimming 360° SBOR P = Daylight Sense w/ Occupancy On/Off SBOR S = Daylight Sense w/ Occupancy High-Low Dimming SBOR W = Bi-level dimming/ Stairwell setting sensor Full Featured 1 = 20' Motion Sensor FSP221 w/daylight & High-low Dimming (requires remote to modify default settings sold separately) 2 = 40' Motion Sensor FSP221 w/daylight & High-low Dimming (requires remote to modify default settings sold separately) ZigBee Wireless Daintree™ 4 = ZigBee Wireless Daintree™ Enabled w/Motion Sensor T = ZigBee Wireless Daintree™ Enabled (no sensor)	Q = None/No External Control Wiring V = 0-10V Control Wires Note: V option not available with dimming and ZigBee sensors	Q = None E = Battery Backup Note: Battery Backup not available at 347/480V and Narrow Body	ST = Standard 21 = 3/8" Threaded Rod Bracket 45 = 45 Degree Wall Mount 51 = Cable/ Toggle 5 ft 52 = Cable/ Toggle 10 ft 53 = Cable/ Toggle 15 ft	K = Knockout A = 6 ft. 18ga cord B = 12 ft. 18ga cord	Q = None W = White	Blank = No Special Options 1PK = Single Pack (for distributor stocking. Default is Job Pack not 1 PK.)		
	*Specify single voltage if plug, sensor, or wireless needed.															



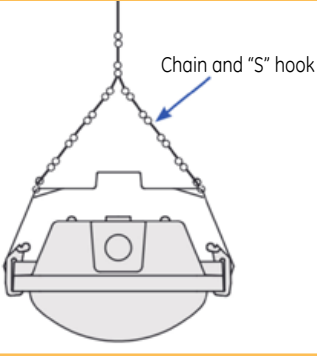
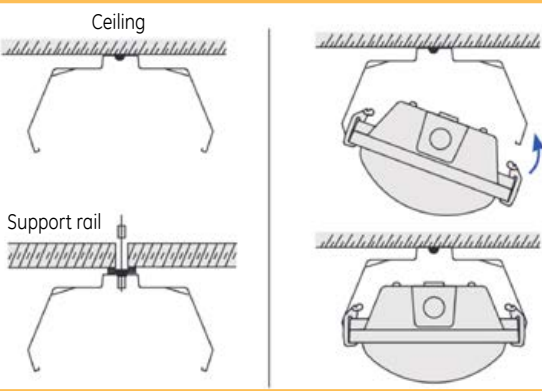
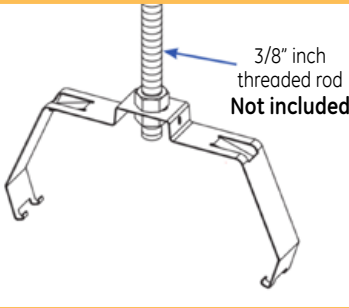
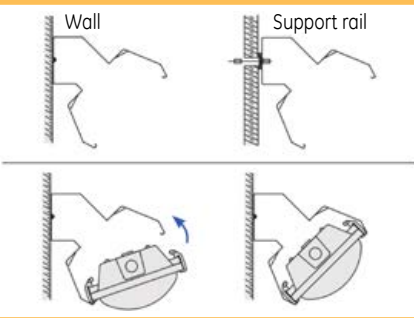
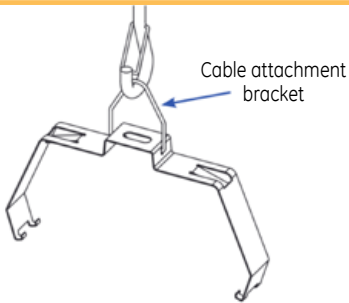
FIXTURE LENGTH	OUTPUT LEVEL	80 CRI @ 5000K CCT				
		TYPICAL DELIVERED LUMENS	TYPICAL POWER		TYPICAL LPW 120-277V	MAX AMBIENT TEMP
			120-277V	347/480V		
2 ft.	2,000	1,900	14	16	136	45°C
	3,000	2,900	21	23	138	
	4,000	3,700	28	30	132	
4 ft.	3,000	3,100	20	22	155	45°C
	4,000	4,100	27	29	152	
	5,000	5,100	34	36	150	
	6,000	6,100	42	44	145	
	8,000	8,100	59	65	137	
8 ft.	10,000	10,000	79	88	127	40°C
	4,000	4,100	25	28	164	45°C
	6,000	6,100	38	40	161	
	8,000	8,100	52	57	154	
	10,000	10,100	67	73	151	
	12,000	12,100	82	91	148	
	16,000	16,100	118	129	136	
20,000	20,000	158	174	127	40°C	

CRI	CCT	OUTPUT
80 CRI	5000K	100%
	4000K	98%
	3500K	97%
	3000K	93%
90 CRI	5000K	89%
	4000K	85%
	3500K	83%
	3000K	81%

OPTIC CODE	OPTIC DESCRIPTION	OUTPUT
1D	120° Diffused Lens	100%
WC	Wide Clear 160° Parking Garage Optic	94%



Mounting & Accessories

MOUNTING OPTIONS	IMAGE	ORDER LOGIC CODE
<p>Standard Chain/Cable Mount Available on all fixture configurations (chain not included).</p>	 <p>Chain and "S" hook</p>	<p>ST = Standard</p>
<p>Surface Mount (optional) Available with all fixture configurations. Standard mounting option is surface mount ready.</p>	 <p>Ceiling</p> <p>Support rail</p>	<p>ST = Standard</p>
<p>Rod Mount Kit (optional) Available with all fixture configurations. Attaches to 3/8" threaded rod. Pendant mount included. (rod and nuts not included)</p>	 <p>3/8" inch threaded rod Not included</p>	<p>21 = 3/8" Threaded Rod Bracket</p>
<p>45° Degree Wall Mount (optional) Available on 2T, 4T & 8T configurations. (hardware not included)</p>	 <p>Wall</p> <p>Support rail</p>	<p>45 = 45° Degree Wall Mount</p>
<p>Cable Mount Kit (optional) Available with all fixture configurations. Cables and attachments included with kit.</p>	 <p>Cable attachment bracket</p>	<p>51 = Cable/Toggle 5 ft. 52 = Cable/Toggle 10 ft. 53 = Cable/Toggle 15 ft.</p>

See "Installation Instructions" for mounting details.

Albeo™ LED Luminaire

LED Linear Industrial Lighting
ALR2 - Series



Project name _____
Date _____
Type _____

LED & Optical Assembly

CRI: 80 and 90 CRI options

Fixture Rated Life: L70 @ 100,000 hrs

Distribution/Lenses:

Precision lens system provides optimized illumination for open floor plan.

120° w/diffused lens standard

160° w/clear lens suitable for parking garages optional

Electrical

Input Voltage: 120-277V, 347V or 480V

Input Frequency: 50/60Hz

Output Frequency/Flicker Rate: NEMA 77

System Power Factor (PF): >0.9*

Total Harmonic Distortion (THD): <20%*

LED Driver Type: Class 2, 3kV surge protection

EMI: FCC CFR Title 47 Part 15, Class A

* PF and THD may vary with options

Ratings & Evaluations

Operating Temperature: -30°C to +50°C (-22°F to 122° F).

Storage Temperature: -40°C to +70°C

Surge Protection: 3kV driver surge protection

Location: Suitable for Wet Locations

Safety: UL/cUL Listed /c 

IK Rating: IK06

Environmental: RoHS compliant

Utility: DLC on all 120-277V options



Please refer to:

<http://www.designlights.org/QPL>

for complete information.



Construction & Finish

Housing: Fiberglass & steel

Lensing: Acrylic diffused

No glass in housing or lenses

Weight: 2 ft. - 8lbs max; 4 ft. - 11lbs max; 8 ft. - 19lbs max;

Controls

Standard Dimming: 0-10VDC

Minimum Dimming: Dim down to 10%

Wireless Networking & Sensing:

ZigBee Wireless Daintree with Occ Sensor – Sensor 4

ZigBee Wireless Daintree with No Sensor – Sensor T

Wattstopper FSP Series Motion + daylight + IR config (IR remote sold separately) – Sensor 2

Sensor Switch SBOR Series - Sensor A, B, P or S

Wattstopper FSP remote = SKU# 93076263

Stairwell Applications: Sensor W = Bi-level dimming

dims to 25% with low traffic and then to off for maximum energy savings. Compatible with EMBB.

Mounting

Typical Mounting: Standard Chain/Cable or Surface mount ready.

Optional Mounting:

Rod Mounting: 3/8" inch threaded rod mounting bracket available.

45° Degree Wall Mount: Available in 2T, 4T & 8T configurations.

Cable Mount Kit: Cables and attachment included in kit.

Cord & Plugs:

Standard = knockout access (no cord, no plug)

6ft. 18-3 - Cord A

12ft. 18-3 - Cord B

Accessories, Options & Packaging

Emergency Battery: Integral EM battery option provides 90-minutes of emergency lighting. Design lumen output: 2000lm at 5000K 80CRI.

Packaging: Standard packaging is job pack / bulk pack consisting of 1 to 4 fixtures per package reducing unpack time at the jobsite.

Single Pack (i.e. for stocking) – Option 1PK

Design Life & Warranty

- **Reliability Testing:** Components and/or systems evaluated at extreme conditions and monitored during production.
- **System Warranty:** 5 Year

current
powered by GE

All trademarks are the property of their respective owners. Information provided is subject to change without notice. All values are design or typical values when measured under laboratory conditions. Current, powered by GE is a business of the General Electric Company.
© 2018 GE.

