

Albeo™ LED Luminaire

LED Linear Industrial Lighting
(ALC6 - Series)



Project name _____
Date _____
Type _____

Product Description:

The Albeo™ ALC6-series LED luminaire is an efficient alternative to traditional fluorescent in a variety of commercial and industrial lighting applications. Sleek design ideal for industrial applications but also attractive enough for a retail/commercial setting. ALC6 LED fixture can be matched with motion, daylight and wireless controls for increased energy savings. Designed to meet recommended luminance and illuminance requirements for low bay and task level lighting as well as parking garage & general lighting applications.

Product Images:

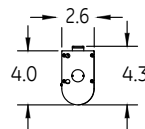
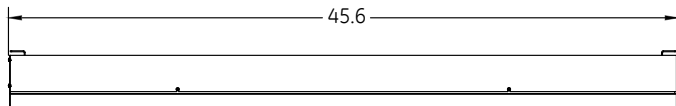


Performance Highlights:

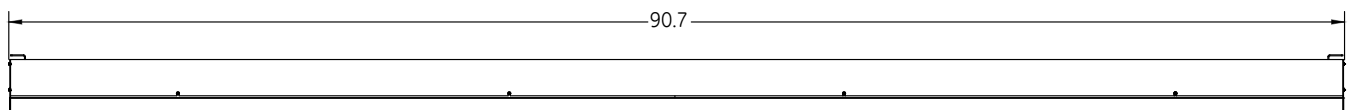
Light Output Range: 2,000 – 20,000 lumens
CRI: 80 CRI Standard (90CRI Refer to factory for lead-time)
CCT: 3000K, 3500K, 4000K, 5000K
Distributions: 120° diffused lens & wide lens
Input Voltage: 120V-277V, 347V, & 480V
Efficiency: Up to 160 LPW
Fixture Rated: L70 @ 100,000 hours min. @ 50°C
Limited Warranty: 5 Years
Temperature Rating: -30°C to +50°C (-22°F to 122° F)
Controls & Sensors: 0-10V standard, Motion & daylight sensor options. ZigBee Wireless Daintree compliant options.

Product Dimensions:

4 Ft.



8 Ft.



Certifications:



current
powered by GE



Ordering Number Logic

LED Linear Industrial Lighting

(ALC6 - Series)



Project name _____
 Date _____
 Type _____

ALC6 **T** **W**

FAMILY	VOLTAGE	FIXTURE LENGTH	LUMEN OUTPUT	PERFORMANCE LEVEL	LED COLOR TEMP	OPTICS	FIXTURE TYPE	SENSOR/WIRELESS	CONTROL WIRING	EMERGENCY	MOUNTING	CORD	PLUG	FINISH	OPTIONS
ALC6 = ALC Series 6th Gen	0 = 120/277 1 = 120* 4 = 277* 5 = 480* D = 347* *Specify single voltage if plug, sensor, or wireless needed.	4T = 4 ft. 8T = 8 ft.	02 = 2,000 03 = 3,000 04 = 4,000 05 = 5,000 06 = 6,000 08 = 8,000 10 = 10,000 04 = 4,000 06 = 6,000 08 = 8,000 10 = 10,000 12 = 12,000 16 = 16,000 20 = 20,000	T = Standard Efficiency	80 Plus CRI 38 = 3000K C8 = 3500K 48 = 4000K 58 = 5000K 90 Plus CRI 39 = 3000K C9 = 3500K 49 = 4000K 59 = 5000K	Diffused Lens: Maximum Glare Reduction 1D = 120° Diffused Lens WC = Wide Clear 160° Parking Garage Optic	S = Standalone C = Continuous Run	Q = None A = Occ Sense On/Off 360° LSXR B = Occ Sense High-Low Dimming 360° LSXR P = Daylight Sense w/Occupancy On/Off LSXR W = Bi-level dimming/Stairwell setting sensor Full Featured 1 = 20' Motion Sensor FSP221 w/daylight & High-low Dimming 2 = 40' Motion Sensor FSP221 w/daylight & High-low Dimming (requires remote to modify default settings sold separately) ZigBee Wireless Daintree™ 4 = ZigBee Wireless Daintree™ Enabled w/Motion Sensor T = ZigBee Wireless Daintree™ Enabled (no sensor)	Q = None/No External Control Wiring V = 0-10V Control Wires Note: V option not available with dimming and ZigBee sensors	Q = None E = Battery Backup Note: Battery Backup not available at 347/480V	ST = Standard 51 = Cable/Toggle 5 ft. 52 = Cable/Toggle 10 ft. 53 = Cable/Toggle 15 ft.	K = Knockout A = 6 ft. 18ga cord B = 12 ft. 18ga cord	Q = None A = 15A straight plug B = 20A straight plug C = 15A twist lock plug D = 20A twist lock plug	W = White Powder Coat	Blank = No Special Options 1PK = Single Pack (for distributor stocking. Default is Job Pack not 1 PK).

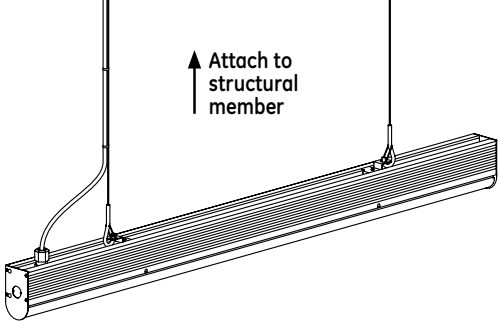
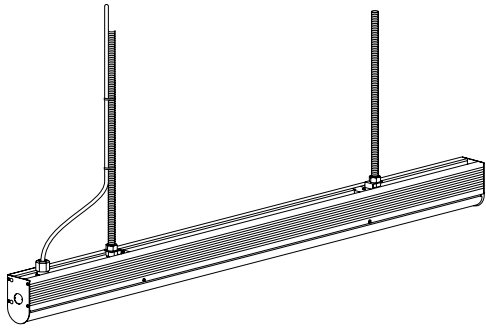
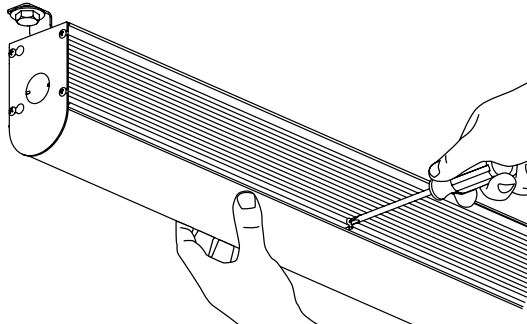
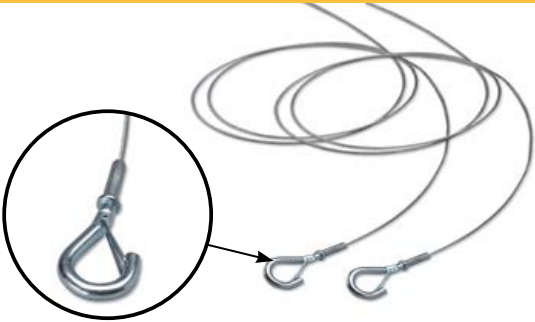


FIXTURE LENGTH	OUTPUT LEVEL	80 CRI @ 5000K CCT			
		TYPICAL DELIVERED LUMENS	TYPICAL POWER		TYPICAL LPW 120-277V
			120-277V	340/480V	
4 ft.	2,000	2,000	14	16	143
4 ft.	3,000	3,000	20	22	150
4 ft.	4,000	4,000	27	29	148
4 ft.	4,900	5,000	34	36	144
4 ft.	5,900	6,000	42	44	140
4 ft.	7,800	8,000	59	67	132
4 ft.	9,600	10,000	80	87	120
8 ft.	4,000	4,000	25	28	160
8 ft.	6,000	6,000	38	41	158
8 ft.	7,900	8,000	52	60	152
8 ft.	9,900	10,000	67	75	148
8 ft.	11,800	12,000	83	91	142
8 ft.	15,600	16,000	118	129	132
8 ft.	19,200	20,000	159	173	121

CRI	CCT	T OUTPUT
	80	5000K
4000K		98%
3500K		97%
3000K		93%
90	5000K	89%
	4000K	85%
	3500K	83%
	3000K	81%



Mounting & Accessories

MOUNTING OPTIONS	IMAGE	ORDER LOGIC CODE
<p>Standard Chain/Cable Mount Available on all fixture configurations (chain not included). Cable w/ hook can be ordered as an accessory.</p>	 <p>↑ Attach to structural member</p>	<p>ST = Standard</p>
<p>Rod Mount (optional) Available with all fixture configurations. Standard mounting option is rod mount ready. Attaches to ½" threaded rod (rod and nuts not included)</p>		<p>ST = Standard</p>
<p>Surface Mount (optional) Available with all fixture configurations. Standard mounting option is surface mount ready.</p>		<p>ST = Standard</p>
<p>Cable with hook (optional) Order separately. 5 ft., 10 ft., 15 ft. lengths available.</p>		<p>51 = Cable-Hook-05ft-Pair 52 = Cable-Hook-10ft-Pair 53 = Cable-Hook-15ft-Pair Max Load: 200 lbs. per pair</p>

See "Installation Instructions" for mounting details.

Albeo™ LED Luminaire

LED Linear Industrial Lighting
(ALC6 - Series)



Project name _____
Date _____
Type _____

LED & Optical Assembly

CRI: 80 Standard (90 contact factory for lead-time)

Fixture Rated Life: L70 @ 100,000 hrs

TM-21 Calculation at 25°C: L90 @ 100,000 hrs

Distribution/Lenses:

Precision lens system provides optimized illumination for open floor plan.

120° w/diffused lens standard

160° w/clear lens suitable for parking garages optional

Wire Guard Option: White painted wire guard for added protection. Easy field installation.

Electrical

Input Voltage: 120-277V, 347V or 480V

Input Frequency: 50/60Hz

Output Frequency/Flicker Rate: NEMA 77

System Power Factor (PF): >0.9*

Total Harmonic Distortion (THD): <20%*

LED Driver Type: Class 2, 3kV surge protection

EMI: FCC CFR Title 47 Part 15, Class A

* PF and THD may vary with options

Ratings & Evaluations

Operating Temperature: -30°C to +50°C (-22°F to 122° F).

Storage Temperature: -40°C to +70°C

Surge Protection: 3kV   surge protection

Location: UL 1598 Suitable for Damp Locations

Safety: UL/cUL Listed

Environmental: RoHS compliant

Utility: DLC Premium or Standard on most configurations

Please refer to:

<http://www.designlights.org/QPL>

for complete information.



Construction & Finish

Housing: Combination steel and aluminum

Lensing: Polycarbonate diffused, acrylic clear

Reflector: White highly reflective polycarbonate

Paint: Powercoat Painted Housing

No glass in housing or lenses

Weight: 4 ft. - 11lbs max; 8 ft. - 19lbs max;

Controls

Standard Dimming: 0-10VDC

Minimum Dimming: Dim down to 10%

Wireless Networking & Sensing:

ZigBee Wireless Daintree with Occ Sensor – Sensor 4

ZigBee Wireless Daintree with No Sensor – Sensor T

Wattstopper FSP Series Motion + daylight + IR config (IR remote sold separately) – Sensor 2

Wattstopper FSP remote = SKU# 93076263

Sensor Switch LSX Series - Sensor A, B, P, or S

LSXR Aisle Sensor Optic = SKU# SWI0100

Stairwell Applications: Sensor W = Bi-level dimming

dims to 25% with low traffic and then to off for maximum energy savings. Compatible with EMBB.

Mounting

Typical Mounting: Standard Chain/Cable or Surface mount ready.

Cord & Plugs:

Standard = knockout access (no cord, no plug)

6ft. 18-3 - Cord A

12ft. 18-3 - Cord B

15A, 20A, Straight or twist lock plug – Plug A,B,C, or D

Accessories, Options & Packaging

Optional Emergency Battery: Integral EM battery

provides 90-minutes of emergency lighting. Design lumen output: 2000lm at 5000K 80CRI.

Packaging: Standard packaging is job pack / bulk pack consisting of 1 to 4 fixtures per package reducing unpack time at the jobsite.

Single Pack (i.e. for stocking) – Option 1PK

Wire Guard: White painted wire guard for added protection. Easy field installation. SKU# 93095697 Two kits needed for 8ft fixtures

Continuous Run: One started kit needed per run.

SKU# 93095878. Each kit includes endcaps, starter whip, and male/female orientation adapter.

Design Life & Warranty

- **Reliability Testing:** Components and/or systems evaluation at extreme conditions and monitored during production.
- **System Warranty:** 5 Year

current
powered by GE

All trademarks are the property of their respective owners. Information provided is subject to change without notice. All values are design or typical values when measured under laboratory conditions. Current, powered by GE is a business of the General Electric Company.
© 2018 GE.

