

Albeo™ LED Luminaire

LED Linear Industrial Lighting
(ALV2 - Series)



Project name _____

Date _____

Type _____

Product Description:

The Albeo™ ALV2-series LED luminaire is an energy-efficient, low maintenance alternative to traditional fluorescent in a variety of commercial, low bay lighting applications. The ALV2-series offers customers the best mix of value and performance.

Product Images:

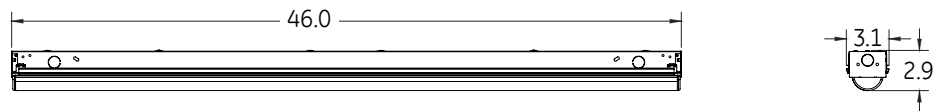


Performance Highlights:

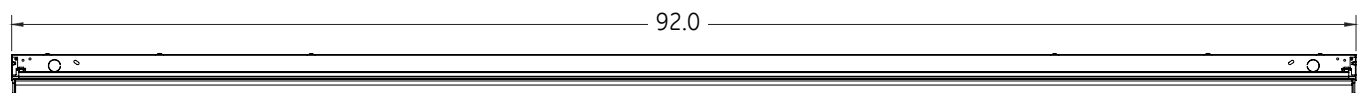
Light Output Range: 2,000 – 16,000 lumens
CRI: 80 CRI Standard (90CRI Refer to factory for lead-time)
CCT: 3000K, 3500K, 4000K, 5000K
Distributions: 120° diffused lens
Input Voltage: 120V-277V, 347V, & 480V
Efficiency: Up to 160 LPW
Fixture Rated: L70 @ 100,000 hours minimum @ 45°C
Limited Warranty: 5 Years
Temperature Rating: -30°C to +45°C (-22°F to 113° F)
Controls & Sensors: 0-10V standard, Motion & daylight sensor options. Wireless ZigBee Daintree compliant options.

Product Dimensions:

4 Ft.



8 Ft.



Certifications:



Ordering Number Logic

LED Linear Industrial Lighting

(ALV2 - Series)



Project name _____

Date _____

Type _____

ALV2

T

W

PRODUCT ID	VOLTAGE	FIXTURE LENGTH	LUMEN OUTPUT	DRIVE CURRENT	LED COLOR TEMP	OPTICS BEAM	FIXTURE TYPE	SENSOR/WIRELESS	CONTROL WIRING	EMERGENCY	MOUNTING	CORD	PLUG	FINISH	OPTIONS
A = Albeo	0 = 120-277V 1 = 120V* 4 = 277V* 5 = 480V* D = 347V*	4T = 4 ft	02 = 2,000 03 = 3,000 04 = 4,000 05 = 5,000 06 = 6,000 08 = 8,000	T = Standard Efficiency	80 Plus CRI 38 = 3000K C8 = 3500K 48 = 4000K 58 = 5000K 90 Plus CRI 39 = 3000K C9 = 3500K 49 = 4000K 59 = 5000K	Diffused Lens: Maximum Glare Reduction 1D = 120° Diffused Lens	S = Stand Alone C = Continuous Run Note: For Continuous Runs, Starter Kit 93095878 must be ordered for each run.	Q = None A = Occ Sense On/Off 360° LSXR B = Occ Sense High-Low Dimming 360° LSXR P = Daylight Sense w/Occupancy On/Off LSXR S = Daylight Sense w/Occupancy High-Low LSXR W = Bi-level dimming/ Stairwell setting sensor Full Featured 1 = 20' Motion Sensor FSP221 w/Daylight & High-Low Dimming 2 = 40' Motion Sensor FSP221 w/Daylight & High-Low Dimming (requires remote to modify default settings sold separately) ZigBee Wireless Daintree™ 4 = ZigBee Wireless Daintree™ Enabled w/Motion Sensor T = ZigBee Wireless Daintree™ Enabled (no sensor)	Q = None/ No External Control Wiring V = External 0-10V Control Wires Note: V option not available with dimming and ZigBee sensors	Q = None E = Battery Backup Note: Battery Backup not available at 347/480V	ST = Standard 51 = Cable/ Toggle 5 ft. 52 = Cable/ Toggle 10 ft. 53 = Cable/ Toggle 15 ft.	K = Knockout A = 6 ft. 18ga cord B = 12 ft. 18ga cord	Q = None A = 15A Straight Plug B = 20A Straight Plug C = 15A Twistlock Plug D = 20A Twistlock Plug	W = White Powder Coat	Blank = No Special Options 1PK = Single Pack (for dist. Stocking. Default is job pack not 1PK)
L = Linear															
V = Value Series	*Specify single voltage if plug, sensor, or wireless needed.														
2 = LED Generation		8T = 8 ft	04 = 4,000 06 = 6,000 08 = 8,000 10 = 10,000 12 = 12,000 16 = 16,000												

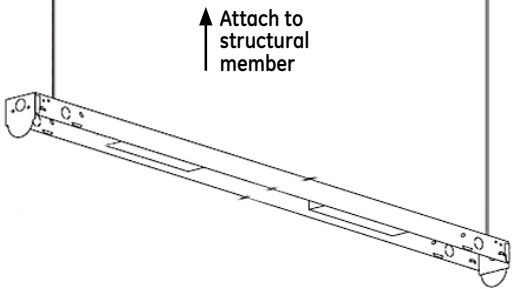
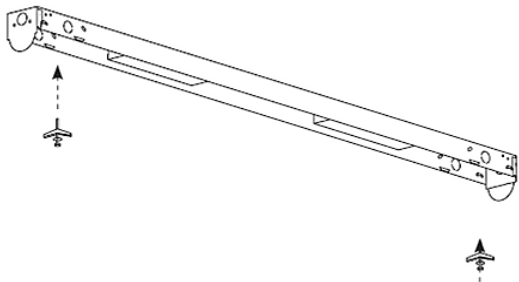
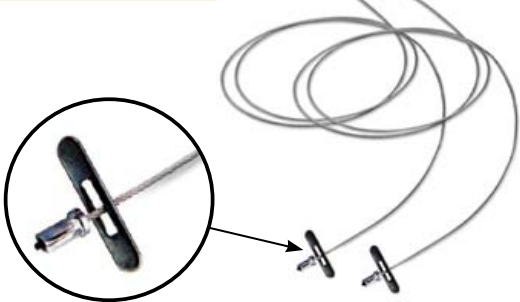


80 CRI @ 5000K CCT						
FIXTURE LENGTH	OUTPUT LUMENS	TYPICAL DELIVERED LUMENS	TYPICAL POWER		TYPICAL LPW 120-277V	MAX AMBIENT TEMP.
			120-277V	340-480V		
4 ft	2,000	2,000	14	16	143	45°C
4 ft	3,000	3,000	20	22	150	
4 ft	4,000	4,000	26	29	154	
4 ft	5,000	4,900	33	36	148	
4 ft	6,000	5,900	41	44	144	
4 ft	8,000	7,700	59	67	131	40°C
8 ft	4,000	4,000	25	28	160	45°C
8 ft	6,000	6,000	38	41	158	
8 ft	8,000	7,900	52	60	152	
8 ft	10,000	9,800	67	75	146	
8 ft	12,000	11,700	83	91	141	
8 ft	16,000	15,600	119	129	131	40°C

CRI	CCT	T OUTPUT
80	5000K	100%
	4000K	98%
	3500K	97%
	3000K	93%
90	5000K	89%
	4000K	85%
	3500K	83%
	3000K	81%



Mounting & Accessories

MOUNTING OPTIONS	IMAGE	ORDER LOGIC CODE
<p>Standard Chain/Cable Mount Available on all fixture configurations (chain not included). Cable w/ hook can be ordered as an accessory.</p>		<p>ST = Standard</p>
<p>Surface Mount (optional) Available on all fixture configurations. Standard mounting option is surface mount ready.</p>		<p>ST = Standard</p>
<p>Cable with toggle (optional) Order separately. 5 ft., 10 ft., 15 ft., 20 ft. lengths available.</p>		<p>51 = Cable/Toggle 5 ft. - Pair 52 = Cable/Toggle 10 ft. - Pair 53 = Cable/Toggle 15 ft. - Pair 54 = Cable/Toggle 20 ft. - Pair</p> <p>Max Load 200 lbs. Per Pair</p>

See "Installation Instructions" for mounting details.

Albeo™ LED Luminaire

LED Linear Industrial Lighting
(ALV2 - Series)



Project name _____
Date _____
Type _____

LED & Optical Assembly

CRI: 80 Standard (90 contact factory for lead-time)
Rated Lumen Depreciation: L70 @ 100,000 hrs
TM-21 Calculation at 25°C: L90 @ 100,000 hrs*
*L85 @ 100,000 hrs for 4T10 and 8T20 configurations

Distribution/Lenses:

Precision lens system provides optimized illumination for open floor plan

120° w/diffused lens standard

Wire Guard Option: White painted wire guard for added protection. Easy field installation.

Electrical

Input Voltage: 120-277V, 347V or 480V

Input Frequency: 50/60Hz

Output Frequency/Flicker Rate: NEMA 77

System Power Factor (PF): >0.9*

Total Harmonic Distortion (THD): <20%*

LED Driver Type: Class 2, 3kV surge protection

EMI: FCC CFR Title 47 Part 15, Class A

* PF and THD may vary with options

Ratings & Evaluations

Operating Temperature: -30°C to +45°C (-22°F to 113° F).

Storage Temperature: -40°C to +70°C

Surge Protection: 3kV driver surge protection

Location: UL 1598 Suitable for Damp Locations

Safety: UL/cUL Listed /c 

Environmental: RoHS compliant



DLC Premium qualified models available
Please refer to <http://www.designlights.org/QPL>
for complete information



Construction & Finish

Housing: Steel body

Lensing: Polycarbonate diffused

Paint: White Prepaint

No glass in housing or lenses

Weight: 4 ft. - 11lbs max; 8 ft. - 19lbs max;

Controls

Standard Dimming: 0-10VDC

Minimum Dimming: Dim down to 10%

Wireless Networking & Sensing:

ZigBee Wireless Daintree with Occ Sensor – Sensor 4

ZigBee Wireless Daintree with No Sensor – Sensor T

Wattstopper FSP Series Motion + daylight + IR config
(IR remote sold separately) – Sensor 2

Wattstopper FSP remote = SKU# 93076263

Sensor Switch LSXR Series - Sensor A, B, P, or S

LSXR Aisle Sensor Optic = SKU# SWI0110

Stairwell Applications: Sensor W = Bi-level dimming
dims to 25% with low traffic and then to off for maximum
energy savings. Compatible with EMBB.

Mounting

Typical Mounting: Standard Chain/Cable or Surface
mount ready.

Cord & Plugs:

Standard = knockout access (no cord, no plug)

6 ft. 18-3 - Cord A

12 ft. 18-3 - Cord B

15A, 20A, Straight or twist lock plug – Plug A,B,C, or D

Accessories, Options & Packaging

Emergency Battery: Integral EM battery option provides
90-minutes of emergency lighting. Design lumen output:
2000lm at 5000K 80CRI.

Packaging: Standard packaging is job pack / bulk pack
consisting of 1 to 4 fixtures per package reducing unpackage
time at the jobsite.

Single Pack (for stocking) – Option 1PK

Wire guards: White painted wire guard for added
protection. Easy field installation. SKU# 93095697
Two kits needed for 8ft fixtures

Continuous Run: One started kit needed per run.
SKU# 93095878. Each kit includes endcaps, starter whip,
and male/female orientation adapter.

Design Life & Warranty

- **Reliability Testing:** Components and/or systems
evaluation at extreme conditions and monitored
during production.
- **System Warranty:** 5 Year

current
powered by GE

All trademarks are the property of their respective owners. Information provided is subject to
change without notice. All values are design or typical values when measured under laboratory
conditions. Current, powered by GE is a business of the General Electric Company.
© 2019 GE.

www.LED.com

| ALB067 (Rev 09/03/19)