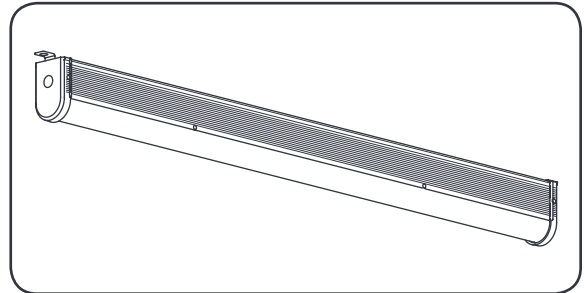


# Albeo™ LED Luminaire

Linear Lighting  
ALC6 Series

## Features

- 5 year warranty
- Damp location rated



## BEFORE YOU BEGIN

Read these instructions completely and carefully.

### ⚠ WARNING/AVERTISSEMENT

#### RISK OF ELECTRIC SHOCK

- Turn power off before inspection, installation or removal.
- Properly ground electrical enclosure.

#### RISK OF FIRE

- Follow all NEC and local codes.
- Use only UL or IEC approved wire for input/output connections. Minimum size 18 AWG.

#### RISQUES DE DÉCHARGES ÉLECTRIQUES

- Coupez l'alimentation avant d'inspecter, installer ou déplacer le luminaire.
- Assurez-vous de correctement mettre à la terre le boîtier d'alimentation électrique.

#### RISQUES D'INCENDIE

- Respectez tous les codes NEC et codes locaux.
- N'utilisez que des fils approuvés par UL ou IEC pour les entrées/sorties de connexion. Taille minimum 18 AWG.

This device complies with Part 15 of the FCC Rules. Operation is subject to the following two conditions: (1) This device may not cause harmful interference, and (2) this device must accept any interference received, including interference that may cause undesired operation. CAN ICES-005 (A) / NMB-005 (A)

Note: This equipment has been tested and found to comply with the limits for a Class A digital device, pursuant to part 15 of the FCC Rules. These limits are designed to provide reasonable protection against harmful interference when the equipment is operated in a commercial environment. This equipment generates, uses, and can radiate radio frequency energy and, if not installed and used in accordance with the instruction manual, may cause harmful interference to radio communications. Operation of this equipment in a residential area is likely to cause harmful interference in which case the user will be required to correct the interference at his own expense.

## Save These Instructions

Use only in the manner intended by the manufacturer. If you have any questions, contact the manufacturer.

## Prepare Electrical Wiring



### Electrical Requirements

The LED driver must be supplied with 120-480 VAC, 50/60 Hz per product label and connected to an individual properly grounded branch circuit, protected by a 15 or 20 ampere circuit breaker.



### Grounding Instructions

The grounding and bonding of the overall system shall be done in accordance with National Electric Code (NEC) Article 600 and local codes.

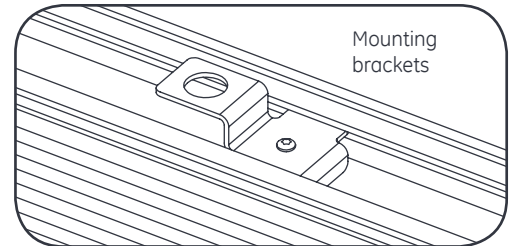


## Unit Installation

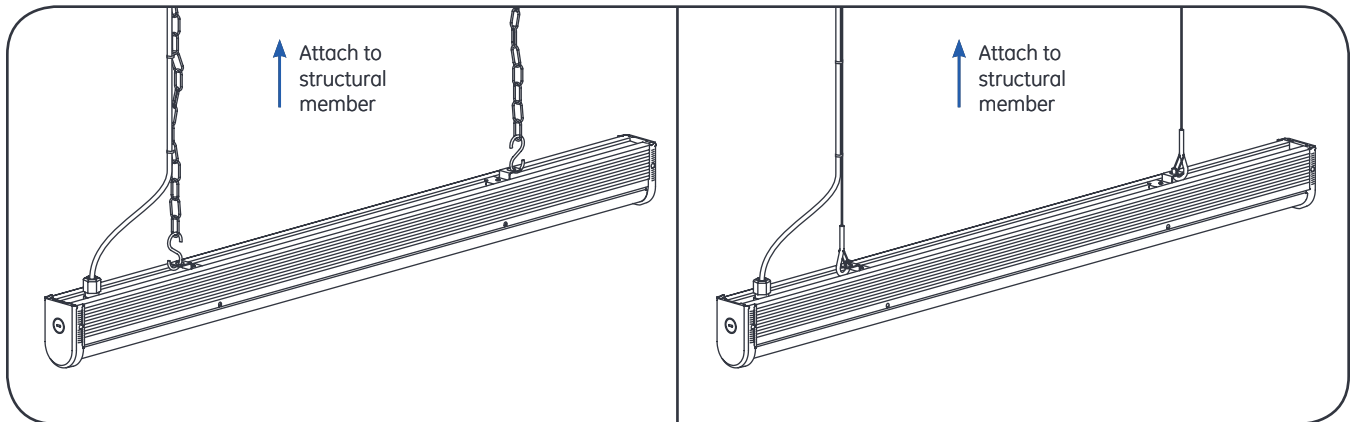
- 1 Carefully unpack unit and properly inspect for defects before installing. Wear work gloves to prevent dirt and oil from being transferred to the luminaire.
- 2 Choose a mounting method: chain, cable, rod, or surface mount.  
**NOTE:** Please follow all UL, NEC and minimum load rating guidelines when selecting and installing a cable, chain, or rod.
- 3 The mounting brackets come pre-installed. Loosen the screws to move the brackets to a desired location, then re-tighten. Each mounting bracket can connect to a chain, cable, rod, or be surface mounted.

ALC6 Fixture Weight

Size	120-277V	347-480V
4 ft. fixture	7.5 lbs.	10.5 lbs.
8 ft. fixture	14.5 lbs.	17.5 lbs.

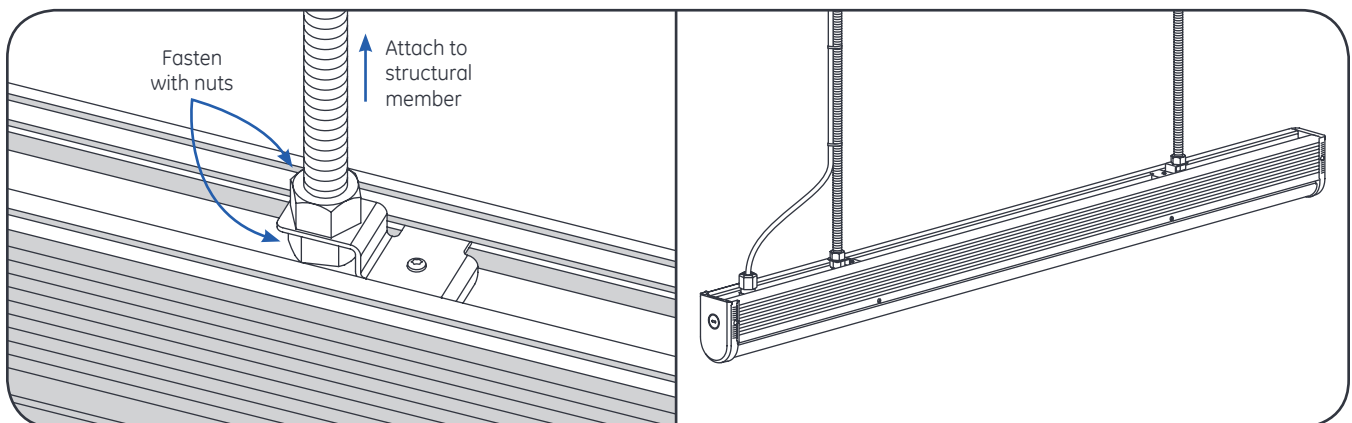


## Chain or Cable Mounting



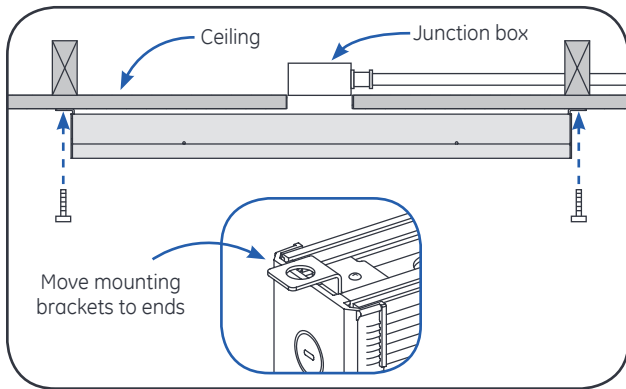
Hang two chains/cables from a structural member of the ceiling. Fixture must be supported independently of an outlet box. Loop chain/cable through the two mounting brackets.

## Rod Mounting

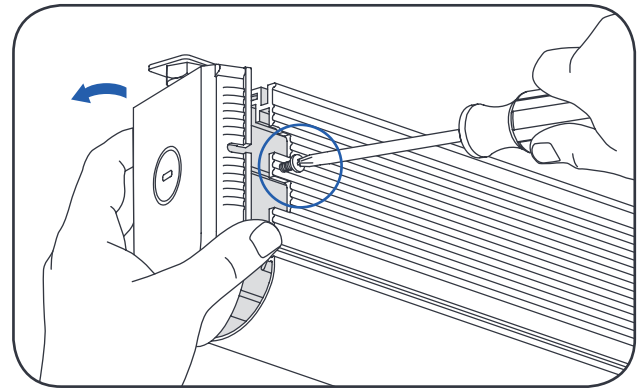


Secure two 1/2" threaded rods into structural members in ceiling. Place a nut on each threaded rod where fixture should hang. Slide mounting brackets onto threaded rods and tighten second nut onto rods to secure fixture.

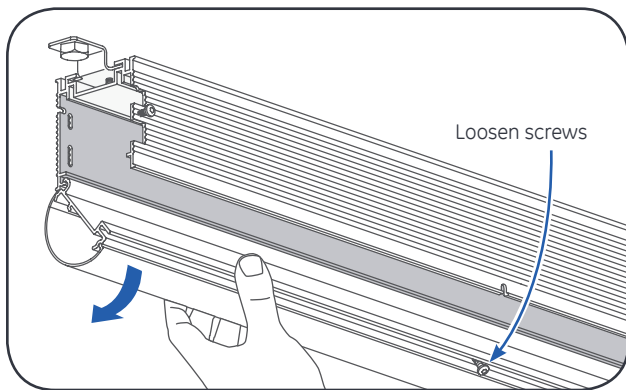
## Surface Mounting



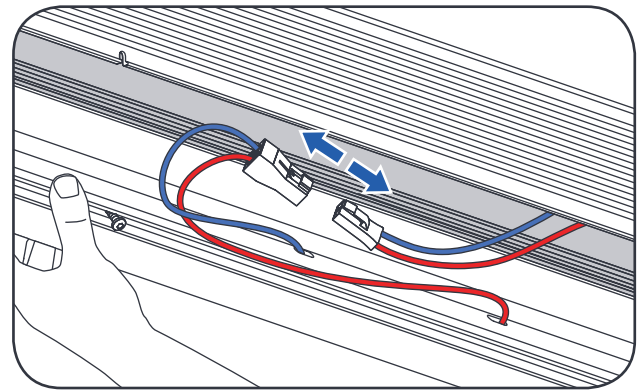
- 1 Position the two mounting brackets at the ends of the fixture and tighten. Attach the fixture to ceiling using appropriate hardware (not supplied).



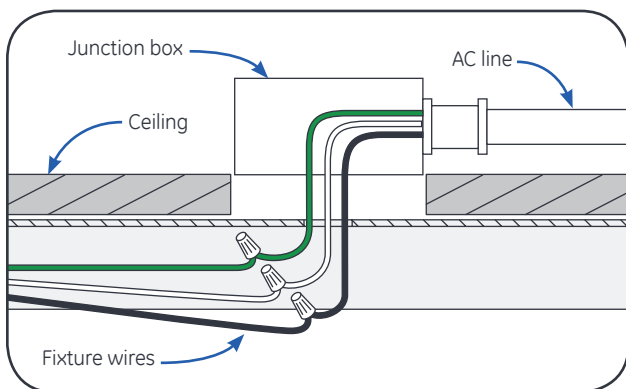
- 2



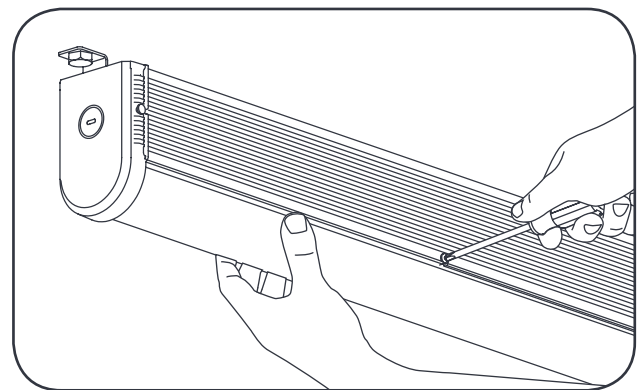
- 3 Loosen screws on side of fixture and unhinge LED lightbar.



- 4



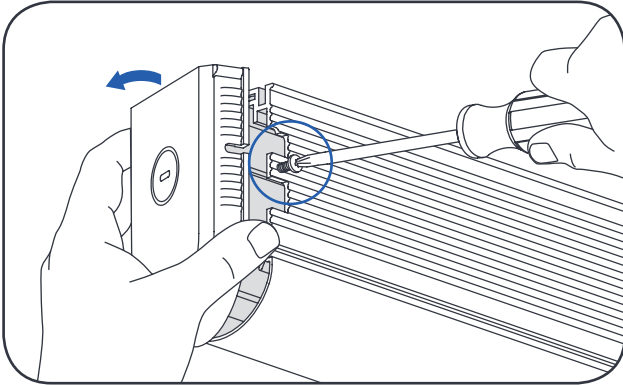
- 5 Run power through one of the 0.875" holes in top of fixture and into a junction box. Connect AC wires from junction box to fixture wires (see Step 4 under **Electrical Connections** for details).



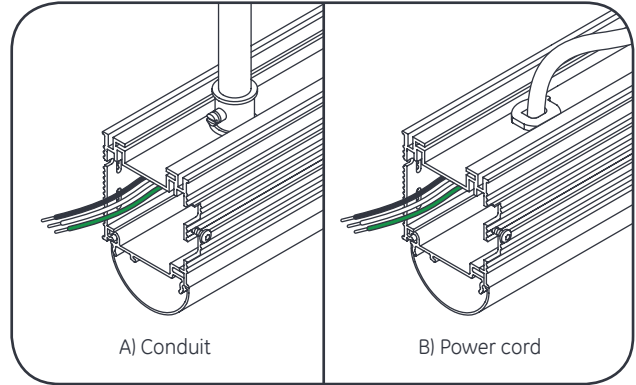
- 6

## Electrical Connections

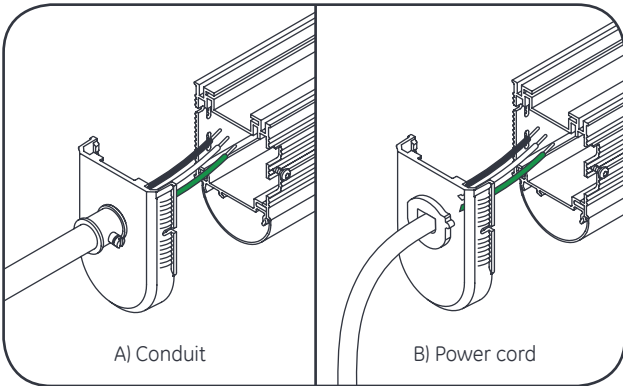
**Note:** Please see additional wiring instructions if installing multiple fixtures in a Continuous Run.



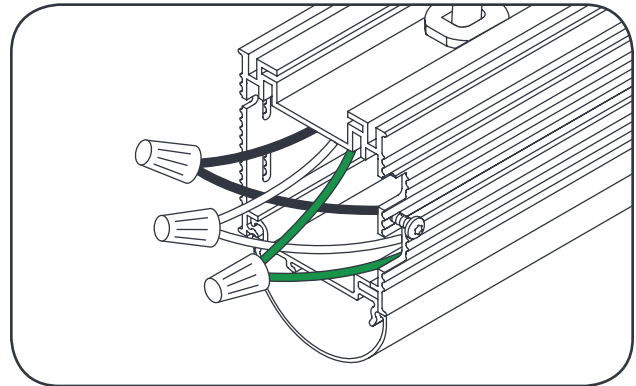
- 1** Loosen end cap screw and swing open end cap to remove.



- 2** **Option: power input from top** – A) install 1/2" conduit, or B) install AC power cord with strain relief through .875" hole on top of fixture.



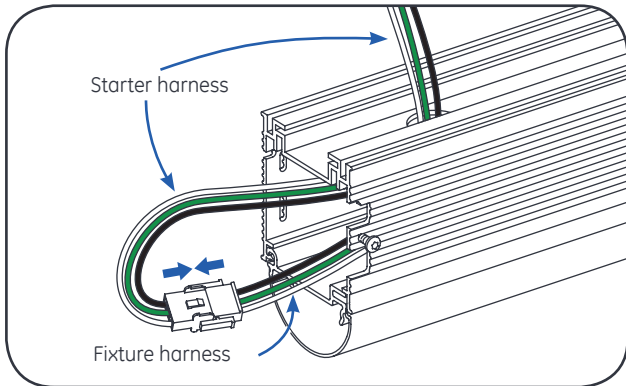
- 3** **Option: power input from side** – Remove knockout in endcap and A) install 1/2" conduit, or B) install AC power cord with strain relief. Plug unused hole on top with appropriate fitting.



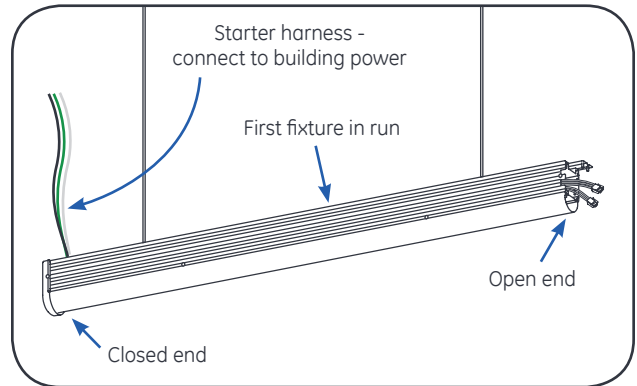
- 4** **120-277V:** Connect the green (ground), black (line) and white (neutral) wires of the AC line to the similarly colored wires of the fixture's power supply using UL listed wire connectors. Re-attach endcap.  
**347-480V:** Connect the green (ground), red (line) and black (neutral) wires of the AC line to the similarly colored wires of the fixture's power supply using UL listed wire connectors. Re-attach endcap.

## Continuous Run Installation

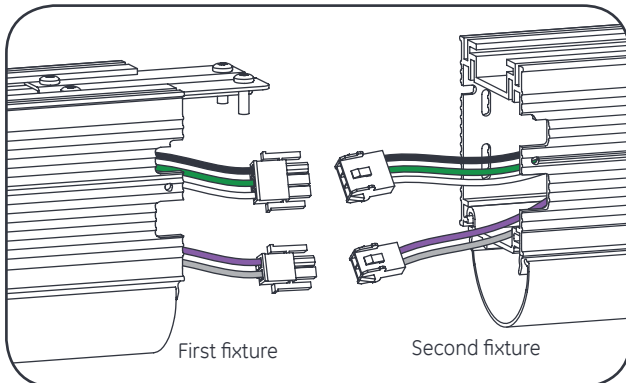
When ordered as an option, continuous run fixtures use quick-connectors and keyhole fasteners to properly wire and align the joining fixtures.



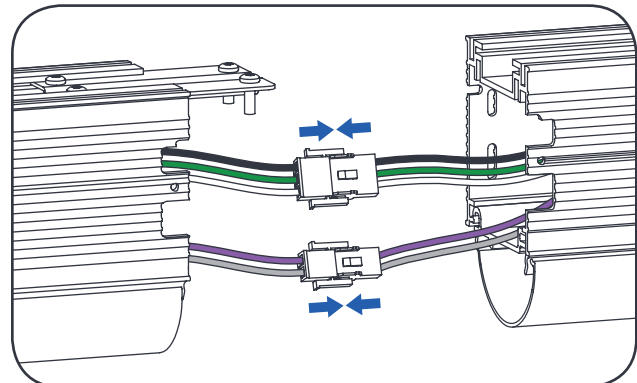
- 1 Choose the first fixture for the run and connect the starter wire harness (provided in Continuous Run Kit) to the fixture wire harness. If connectors don't mate, use small adapter harness (also found in kit).



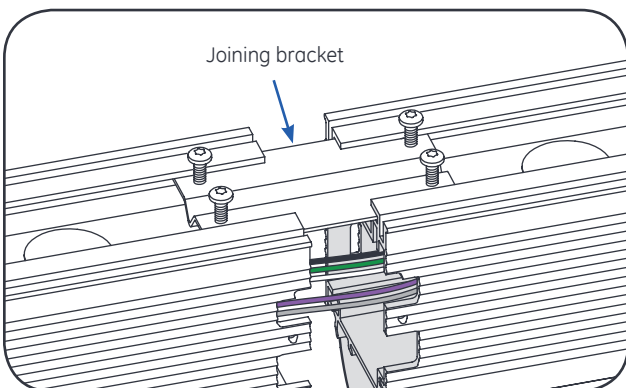
- 2 Using two people, hang the first fixture. The side opposite the starter harness will connect with next fixture on the run. Connect the starter harness with building power as shown in **Electrical Connections** section of this guide.



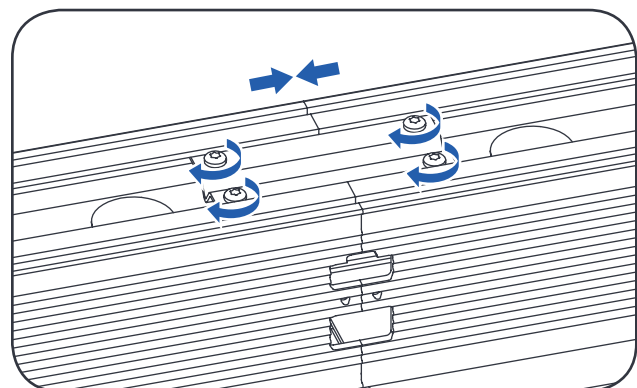
- 3 Align and mount the second fixture on run such that the wire harness quick-connectors will mate correctly.



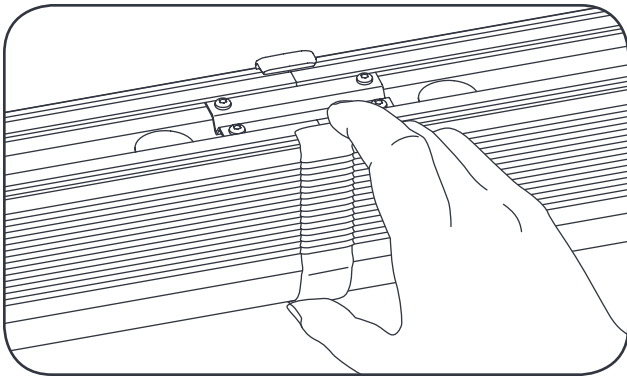
- 4 Make wiring connections between the fixtures with the wire harness quick-connectors.



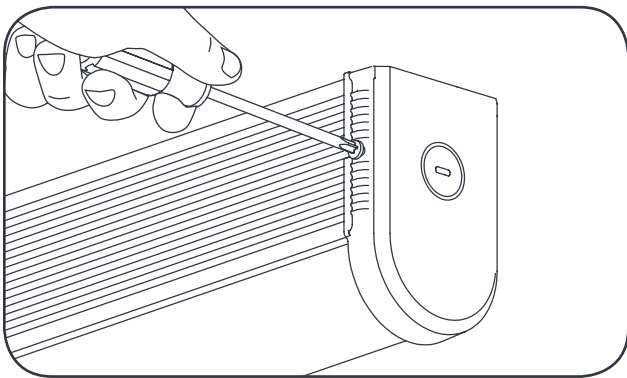
- 5 Align the metal "joining-bracket" on the first fixture with the corresponding opening on the second fixture and push fixtures together.



- 6 Secure the "joining-bracket" by tightening the four #6-32 screws provided.



**7** Snap on decorative lens cover (provided in Continuous Run Kit) over the seam between the fixtures.



**9** Attach end caps (provided in Continuous Run Kit) and tighten screws on each end of the run.

Output	Max Number of Fixtures per Run			
	120V	277V	347V	480V
4ft 2K	131	303	380	525
4ft 3K	90	207	259	358
4ft 4K	67	155	194	268
4ft 5K	53	122	153	211
4ft 6K	43	98	123	171
4ft 8K	30	69	86	119
4ft 10K	22	51	64	88
8ft 4K	71	163	204	283
8ft 6K	47	109	136	188
8ft 8K	34	78	98	136
8ft 10K	27	61	77	107
8ft 12K	21	50	62	86
8ft 16K	15	35	43	60
8ft 20K	11	26	32	44

**8** Repeating Steps 3-7, add fixtures as needed to complete the continuous run. Do not exceed the maximum number of fixtures per run listed in the table above (maximum current through wire harness must not exceed 15A).

**NOTE:** If there are unused quick-connectors at the end of a run, cut off the connectors and cap the ends with wire connectors to terminate the wires.

## Troubleshooting

Symptom	Solution
Luminaire will not turn on	<ul style="list-style-type: none"> <li>• Check that the color of the supply side wires match the color of the wires they are connected to.</li> <li>• Check that all wire connectors are properly connected.</li> <li>• Verify that your input voltage is within specs.</li> <li>• If using any additional controls (i.e. wireless controls or motion sensors), please also verify that those are working properly and that the unit is setup to interface with the controllers.</li> </ul>
Mounting bracket slides from side to side	<ul style="list-style-type: none"> <li>• Check that the mounting bracket is properly tightened using the adjustment screws provided.</li> </ul>