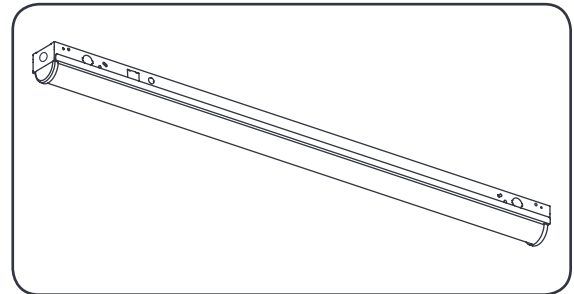


Albeo™ LED Luminaire

Linear Lighting
ALV2 Series



BEFORE YOU BEGIN

Read these instructions completely and carefully.

⚠ WARNING/AVERTISSEMENT

RISK OF ELECTRIC SHOCK

- Turn power off before inspection, installation or removal.
- Properly ground electrical enclosure.

RISK OF FIRE

- Follow all NEC and local codes.
- Use only UL or IEC approved wire for input/output connections. Minimum size 18 AWG.

RISQUES DE DÉCHARGES ÉLECTRIQUES

- Coupez l'alimentation avant d'inspecter, installer ou déplacer le luminaire.
- Assurez-vous de correctement mettre à la terre le boîtier d'alimentation électrique.

RISQUES D'INCENDIE

- Respectez tous les codes NEC et codes locaux.
- N'utilisez que des fils approuvés par UL ou IEC pour les entrées/sorties de connexion. Taille minimum 18 AWG.

This device complies with Part 15 of the FCC Rules. Operation is subject to the following two conditions: (1) This device may not cause harmful interference, and (2) this device must accept any interference received, including interference that may cause undesired operation. CAN ICES-005 (A) / NMB-005 (A)

Note: This equipment has been tested and found to comply with the limits for a Class A digital device, pursuant to part 15 of the FCC Rules. These limits are designed to provide reasonable protection against harmful interference when the equipment is operated in a commercial environment. This equipment generates, uses, and can radiate radio frequency energy and, if not installed and used in accordance with the instruction manual, may cause harmful interference to radio communications. Operation of this equipment in a residential area is likely to cause harmful interference in which case the user will be required to correct the interference at his own expense.

Save These Instructions

Use only in the manner intended by the manufacturer. If you have any questions, contact the manufacturer.

Prepare Electrical Wiring



Electrical Requirements

- The LED luminaire must be connected to the mains supply according to its ratings on the product label.



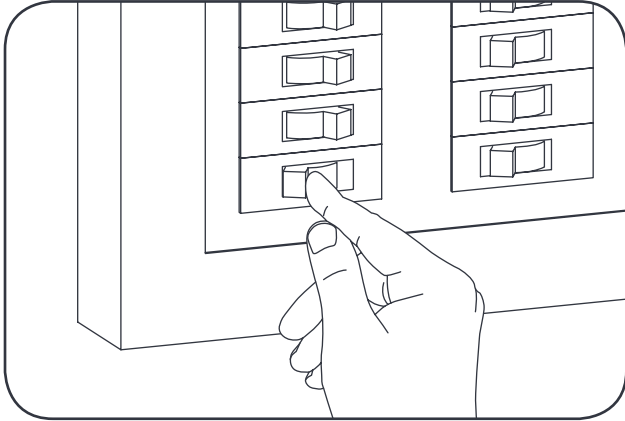
Grounding Instructions

- The grounding and bonding of the overall system shall be done in accordance to local electric code of the country where the luminaire is installed.

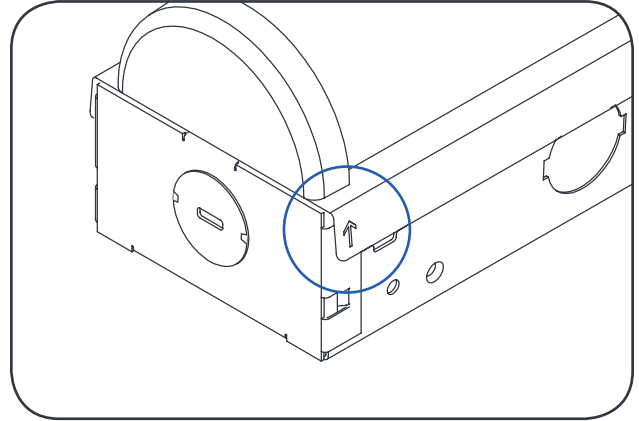
Tools and Components Required:

- ALV2 Series fixture
- Mounting hardware (not included)
- UL Listed wire connectors
- Wire cutters

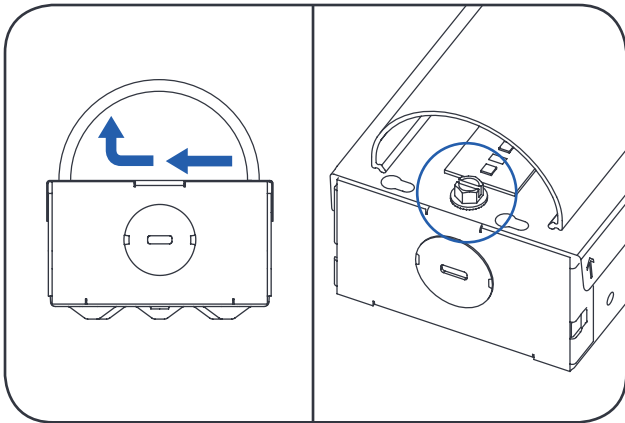
Installation for Independent Fixtures



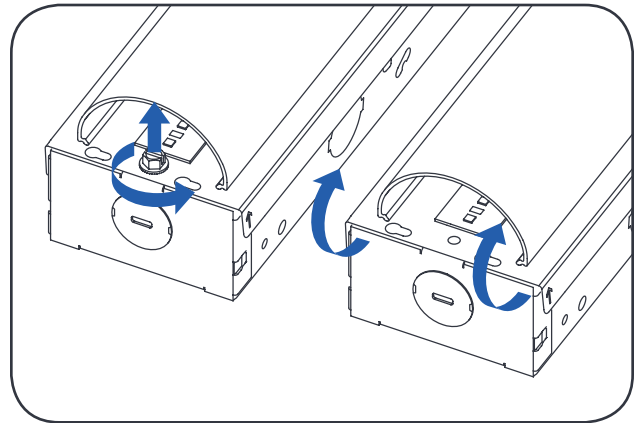
1 For safety, turn off main power prior to installation.



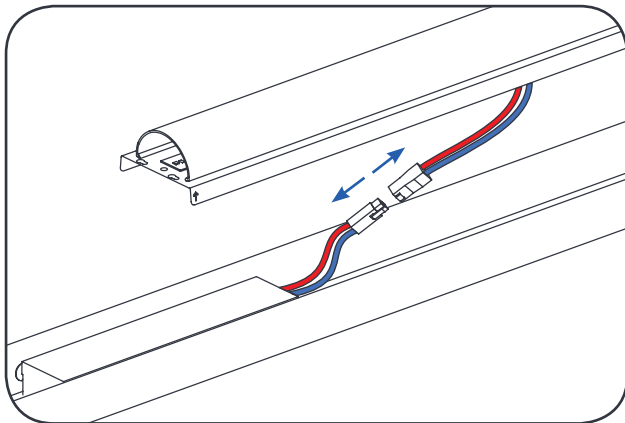
2 Locate arrow on the side of the fixture indicating screw attachment location.



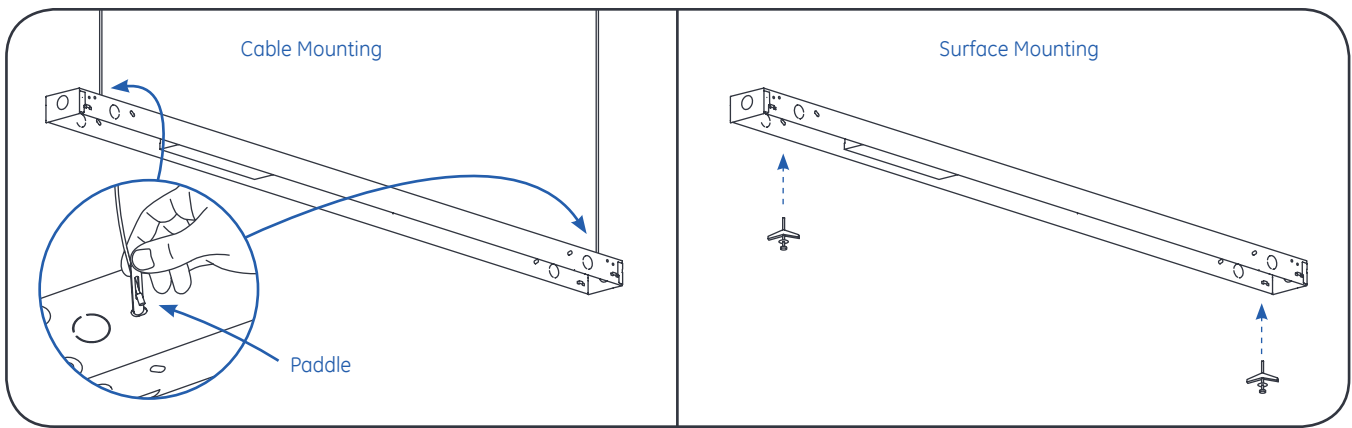
3 Push lens end cap left, lift, and remove to expose cover screw.



4 Remove screw. Slide and lift cover free of housing.



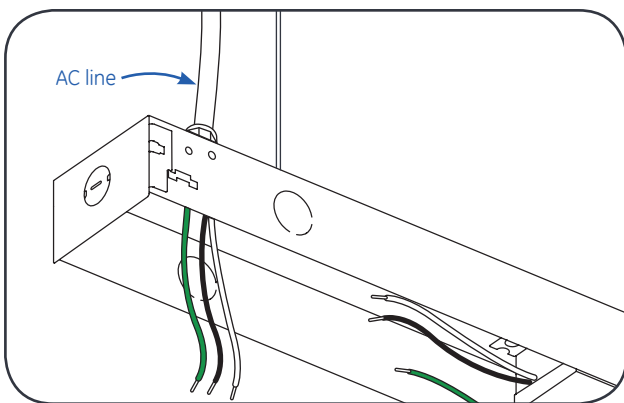
5 Remove cover and LED strip by disconnecting the quick-connectors to the driver.



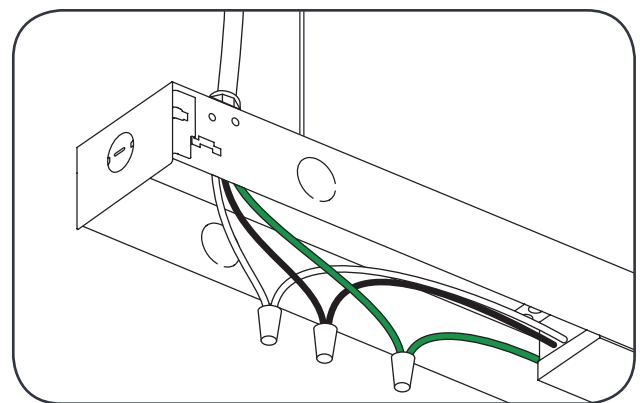
6 Hang fixture using either a pair of cables or mount directly to ceiling using appropriate hardware (not included).

Cable Mounting: Hang a pair of cables from the ceiling and pass both paddles through slots on top of fixture.

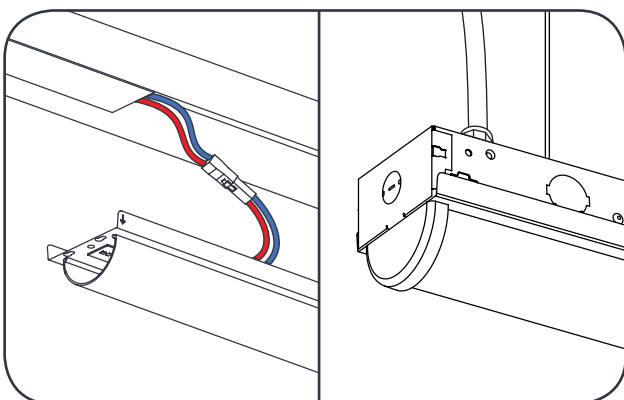
Surface Mounting: Install box to intended surface using mounting holes on both ends of fixture with appropriate mounting hardware. If mounting into a joist, use 2 wood screws and 2 washers to attach to joist. If joist is not available, use 2 toggle bolts and 2 washers to attach to plasterboard.



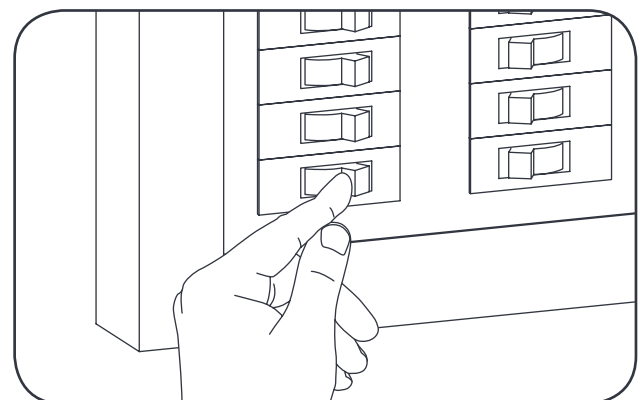
7 Install electrical fitting and feed the AC line wire through the fitting.



8 Connect the AC line to the black (line) and white (neutral) input wires of the LED driver using 14-18AWG twist-on wire connectors. Connect the ground wire to the green grounding wire.



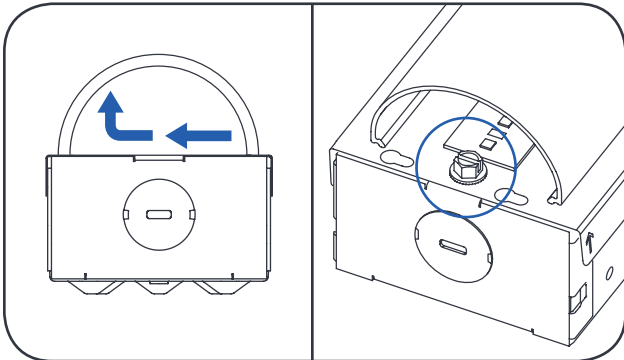
9 Reconnect similarly-colored wires from LED driver to LED strip. Reattach cover by sliding onto housing, reinserting screw, and replacing lens end cap.



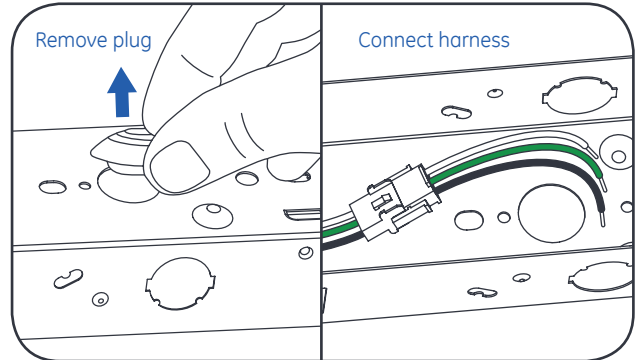
10 Restore main power.

Continuous Run Installation

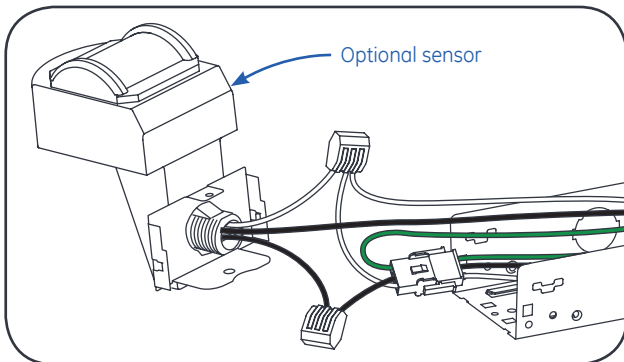
When ordered as an option, continuous run fixtures use quick-connectors and external brackets to properly wire and align the joining fixtures.



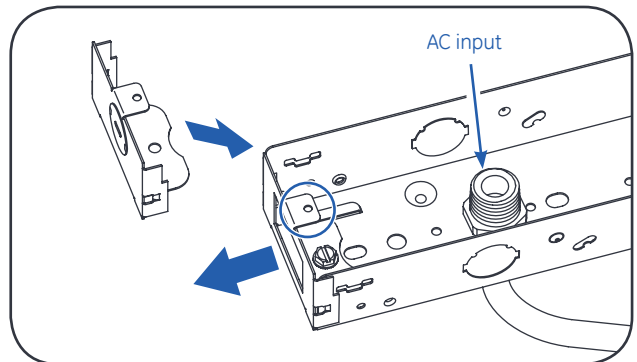
1 Remove cover of first fixture in run as described in the independent fixture installation process.



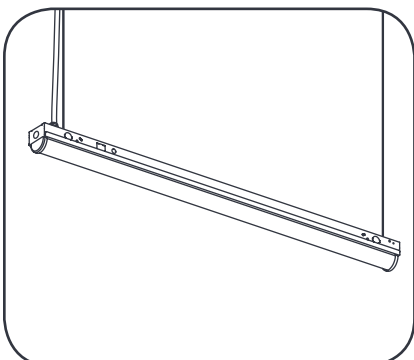
2 Remove plug from knockout on back of fixture and connect the starter wire harnesses provided in the Continuous Run Starter Kit.



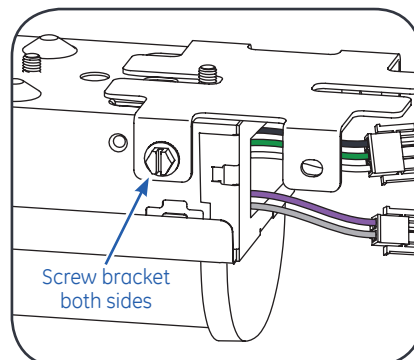
3 **Option: Sensor** - Insert sensor (ordered separately) into endcap knockout (provided in Continuous Run Kit) and wire to starter wire harness per sensor wiring instructions. Replace closed endcap with assembled piece.



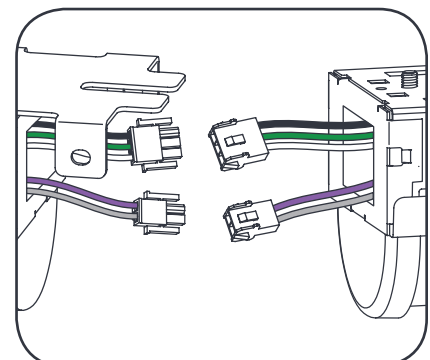
4 Remove screw from the open end cap nearest to the AC input. Replace this end cap with a closed end cap provided in the Continuous Run Starter Kit.



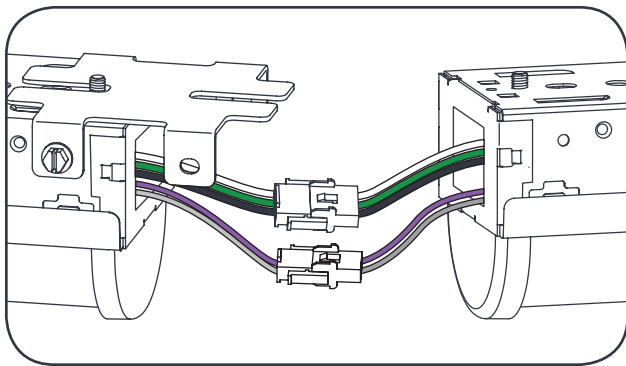
5 Complete installation of first fixture in run.



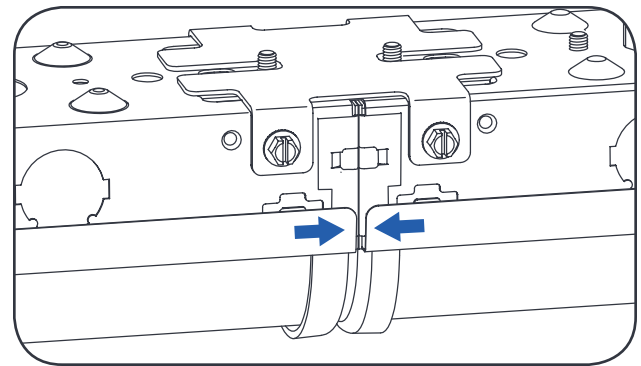
6 Attach continuous run bracket to first fixture by slipping over the top of the housing and driving one of the provided screws through the hole in each side of the bracket and into the housing.



7 Using two people, hang the next fixture in the run, making sure to align the fixtures so that the wire harness quick connectors mate correctly.



8 Make all wiring connections between fixtures using the provided quick-connectors.

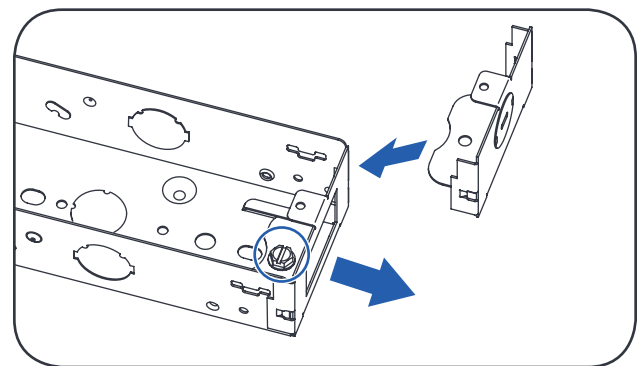


9 Push wire harness quick connectors into either fixture. Align bracket with adjacent fixture, push fixtures together, and drive one of the provided screws through the slot on each side of the bracket into the housing of the second fixture.

10 Continue to add fixtures as needed to complete the continuous run.

NOTE: The current through the continuous fixture run cannot exceed 15A. See maximum fixtures per run table listed below:

Output	Max Number of Fixtures per Run			
	120V	277V	347V	480V
4ft 2K	131	303	380	525
4ft 3K	90	207	259	358
4ft 4K	67	155	194	268
4ft 5K	53	122	153	211
4ft 6K	43	98	123	171
4ft 8K	30	29	86	119
8ft 4K	71	163	204	283
8ft 6K	47	109	136	188
8ft 8K	34	78	98	136
8ft 10K	27	61	77	107
8ft 12K	21	50	62	86
8ft 16K	15	35	43	60



11 When installing final fixture, replace outer open end cap with closed end cap provided in Continuous Run Starter Kit.

Troubleshooting

Symptom	Solution
Luminaire will not turn on	<ul style="list-style-type: none"> • Check that the color of the supply side wires match the color of the wires they are connected to. • Check that all wire connectors are properly connected. • Verify that your input voltage is within specs. • If you are using any additional controls (i.e. wireless controls or motion sensors), please also verify that those are working properly and that the unit is setup to interface with the controllers.

current
powered by GE

All trademarks are the property of their respective owners. Information provided is subject to change without notice. All values are design or typical values when measured under laboratory conditions. Current, powered by GE is a business of the General Electric Company.
© 2019 GE.

