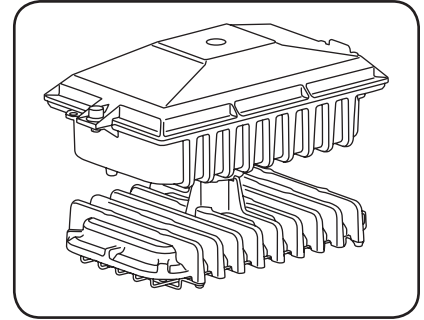


## Albeo™ LED Luminaire

Heavy Industrial High Bay Lighting

AH2A Series Hazardous Locations Luminaire Fitting



### BEFORE YOU BEGIN

Read these instructions completely and carefully.

#### ⚠ WARNING

##### RISK OF ELECTRIC SHOCK

- Turn power off before inspection, installation or removal.
- Ground electrical enclosure with factory supplied ground leads.

##### RISK OF FIRE

- Follow all NEC and local codes using suitable wiring methods for hazardous locations involved.
- Use only UL certified wire for input supply connections.
- Minimum size 18 AWG.

#### ⚠ CAUTION

**CAUTION:** When installing luminaire in hazardous locations check operating temperature markings prior to installation to insure it conforms to the environmental temperature restrictions and NEC classifications.

**CAUTION:** Unit will fall if not installed properly. Follow installation instructions.

### Save These Instructions

Use only in the manner intended by the manufacturer. If you have any questions, contact the manufacturer.

### Prepare Electrical Wiring



#### Electrical Requirements

The LED luminaire must be connected to the mains supply according to its ratings on the product label.



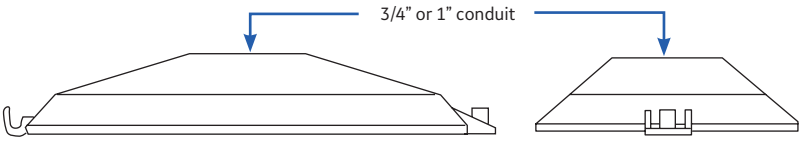
#### Grounding Instructions

The grounding and bonding of the overall system shall be done in accordance with National Electric Code (NEC), CEC, and local codes.

This device complies with Part 15 of the FCC Rules. Operation is subject to the following two conditions: (1) This device may not cause harmful interference, and (2) this device must accept any interference received, including interference that may cause undesired operation. CAN ICES-005 (A) / NMB-005 (A)

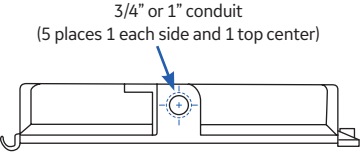
Note: This equipment has been tested and found to comply with the limits for a Class A digital device, pursuant to part 15 of the FCC Rules. These limits are designed to provide reasonable protection against harmful interference when the equipment is operated in a commercial environment. This equipment generates, uses, and can radiate radio frequency energy and, if not installed and used in accordance with the instruction manual, may cause harmful interference to radio communications. Operation of this equipment in a residential area is likely to cause harmful interference in which case the user will be required to correct the interference at his own expense.

## Mounting Cover



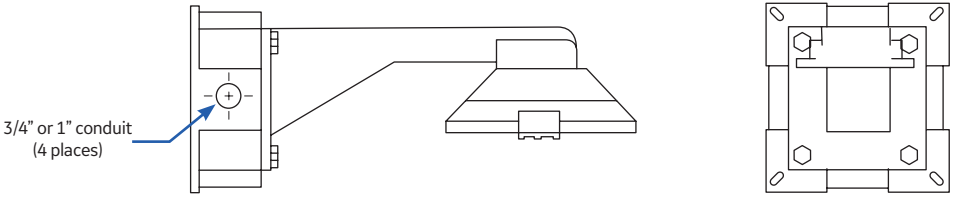
Listed Fittings
H2000-3P
H2000-4P
H2000-6P
H2000-3L
H2000-4L

**Pendant and Low Profile Cover** - Remove wiring box door by loosening two (2) 5/16 in. hex head bolts. Thread cover onto conduit. Orient cover. Tighten set screw at mounting hub. Follow the step-by-step instructions under “AH2A Luminaire Fitting Installation”.



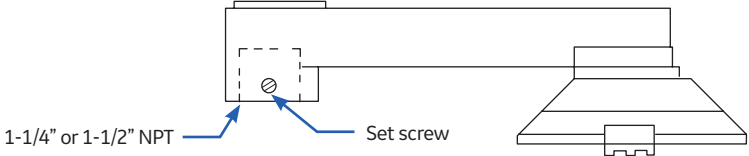
Listed Fittings
H2000-3C
H2000-4C

**Ceiling Cover** - Using the tabs, mount cover to ceiling. Remove wiring box door by loosening two (2) 5/16 in. hex head bolts. Follow the step-by-step instructions under “AH2A Luminaire Fitting Installation”.



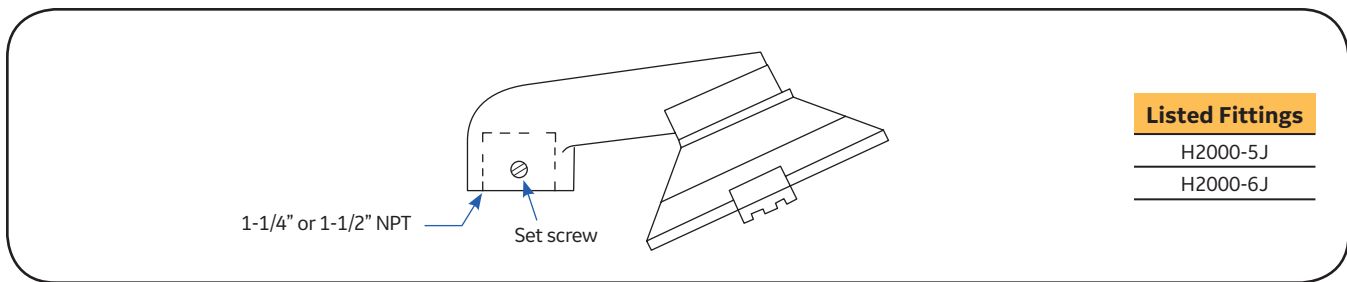
Listed Fittings
H2000-3W
H2000-4W

**Wallmount Cover** - Mount the wiring box to the wall. Remove wiring box cover in the mounting cover by loosening two (2) 5/16 in. hex head screws. Pull branch circuit leads through wiring box on the wall and into wiring box in the mounting cover. Tether is supplied to hold arm assembly while wiring. Attach arm assembly to wiring box on the wall. Do not damage gasket attached to arm assembly. Mounting screws should be tightened in alternate sequence. Close all unused conduit opening with the plugs provided. Follow the step-by-step instructions under “AH2A Luminaire Fitting Installation”.



Listed Fittings
H2000-5S
H2000-6S

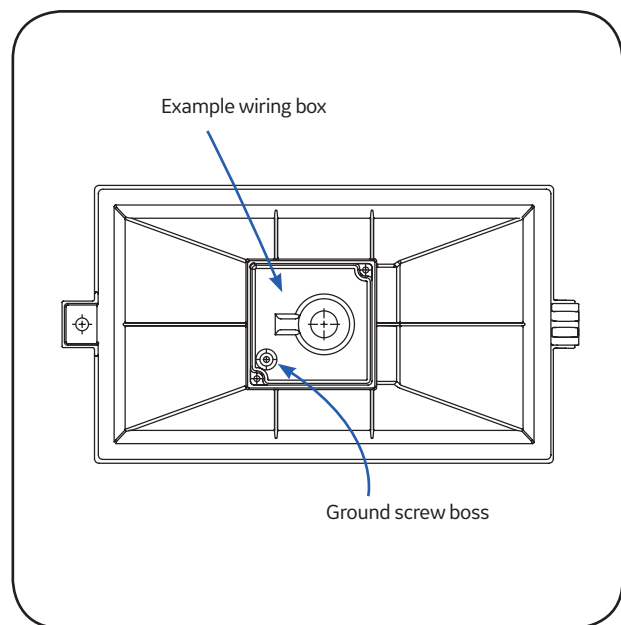
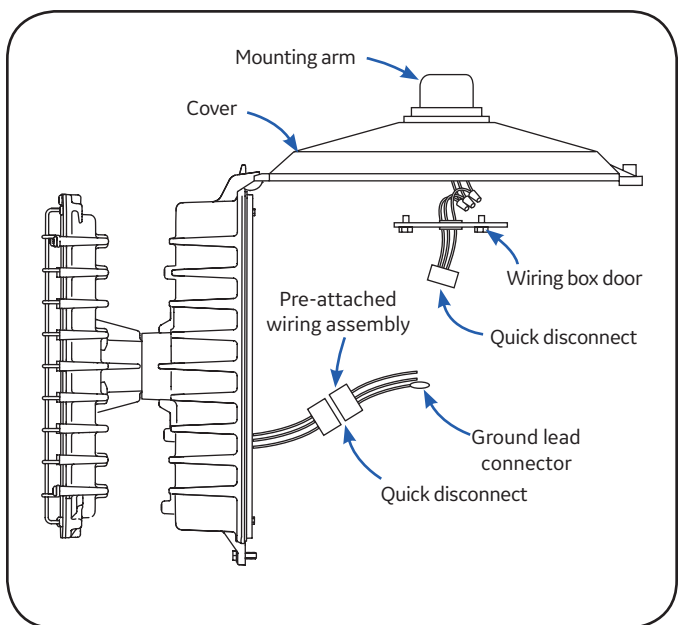
**Straight Stanchion Cover** - Remove the wiring box door in the mounting cover by loosening two (2) 5/16 in. hex head screws. Remove wiring access cover on top of mounting arm to assist with pulling branch circuit leads. Attach mounting arm onto conduit. Pull branch circuit leads through mounting arm into wiring box on mounting cover. Tighten set screw at mounting hub. Follow step-by-step instructions under “AH2A Luminaire Fitting Installation”.



Listed Fittings
H2000-5J
H2000-6J

**Angle Stanchion Cover** – Remove wiring box cover in the mounting cover by loosening two (2) 5/16 in. hex head screws. Attach mounting arm onto conduit. Pull branch circuit leads through mounting arm into wiring box on mounting cover. Tighten set screw at mounting hub. Follow step-by-step instructions under “AH2A Luminaire Fitting Installation”.

## AH2A Luminaire Fitting Installation



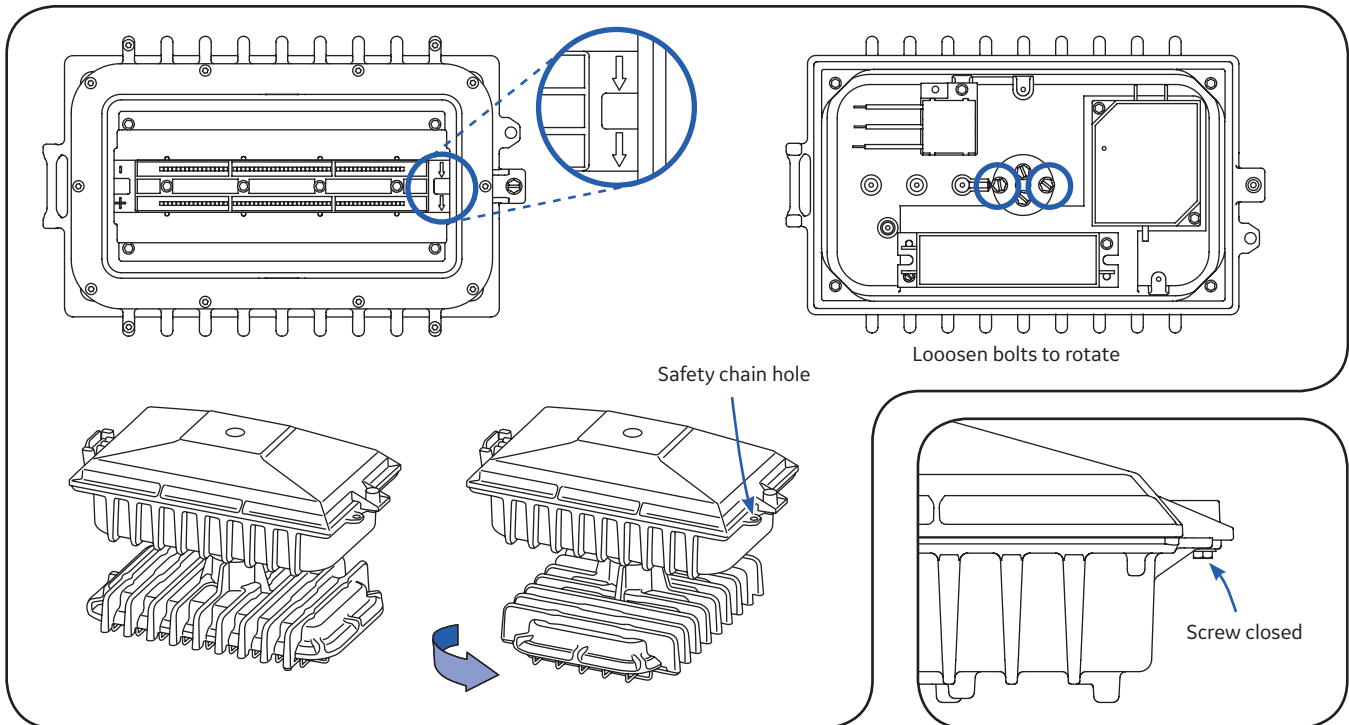
Separate pre-attached wiring assembly from the luminaire fitting (LED driver housing). If the connectors in luminaire fitting and mounting covers are a match, dispose the pre-attached wiring assembly and proceed to Step 5. If connectors are not matching, follow all steps below.

1. Remove the one (1) 5/16 in. hex head screw connected to the ground wire inside of mounting cover wiring box.
2. Remove the strain relief from the wiring box plate with pliers. Discard existing wiring assembly with the connector and three wires.
3. Route the three wires of the new quick disconnect wiring assembly through wiring box door. Install existing strain relief in wiring box door with pliers.
4. Attach ground terminal on green wire to mounting cover with existing 5/16 in. hex head ground screw.
5. Connect branch circuit leads and field wiring leads inside of the mounting cover wiring box.
6. Re-attach wiring box door and tighten two (2) 5/16 in hex head bolts.
7. Hang luminaire housing on hinge on mounting cover.
8. Connect both sides of quick disconnect connector.

### Wire Colors for Quick Disconnect

- Black → Live
- White → Neutral for single phase systems / Live for 2-phase systems
- Green → Safety Ground

## Rotating and Alignment



**Optical Orientation** - LED reflectors will have arrows indicating the directionality of the light. If the optics are not in the desired orientation, the LED module can be rotated to accommodate.

Loosen two (2) 3/8 in. hex head bolts in electrical cavity indicated by blue circles. Rotate LED module to desired orientation. Retighten the bolts.

**Final Closure** - Swing unit closed onto mounting cover and install one (1) captive 3/8 in. hex head screw to seal unit closed.

**Note:** Safety chains can be used in mounting hole near captive screw.

## Maintenance and Security

### Troubleshooting

Symptom	Solution
Luminaire will not turn on.	<ul style="list-style-type: none"> <li>• Check that the color of the supply side wires match the color of the wires they are connected to.</li> <li>• Check that all wire connectors are properly connected.</li> <li>• Verify that your input voltage is within specs.</li> </ul>

### Maintenance

- Product should not be disassembled during installation process and/or while installed.
- Lens should be cleaned periodically for maximum lumen output.
- Inspect and clear any build-up on cooling fins periodically for maximum performance.

**current**  
powered by GE

[www.currentbyge.com](http://www.currentbyge.com), [www.gelighting.com](http://www.gelighting.com)

All trademarks are the property of their respective owners. Information provided is subject to change without notice. All values are design or typical values when measured under laboratory conditions. Current, powered by GE is a business of the General Electric Company.  
© 2018

ALB063 (Rev 01/12/18)